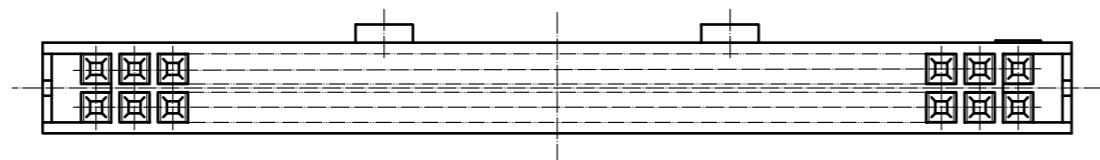
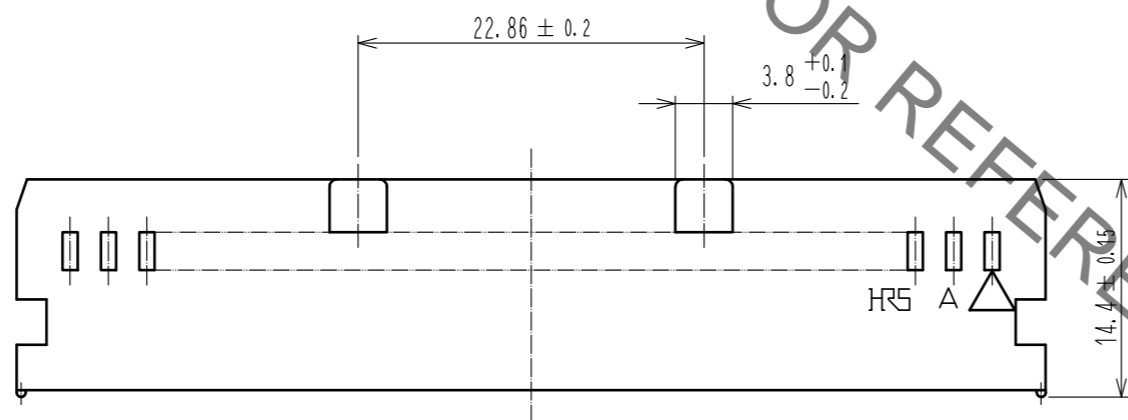
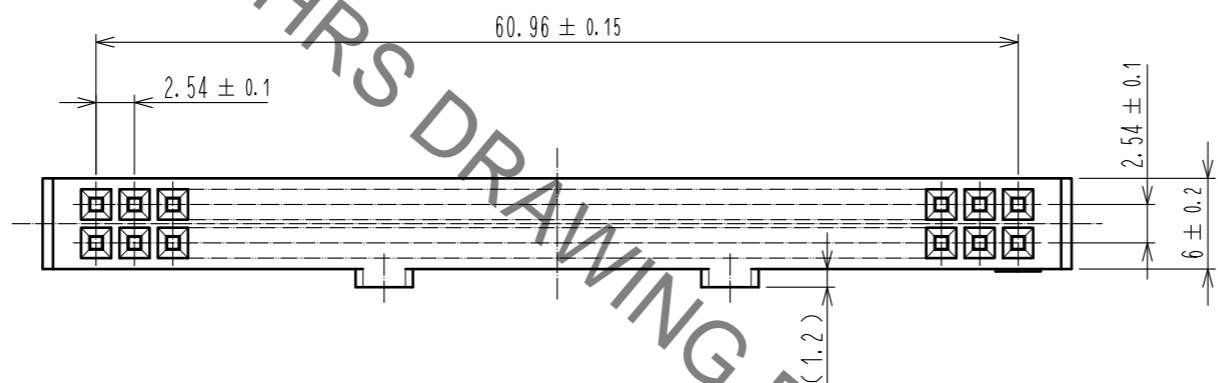
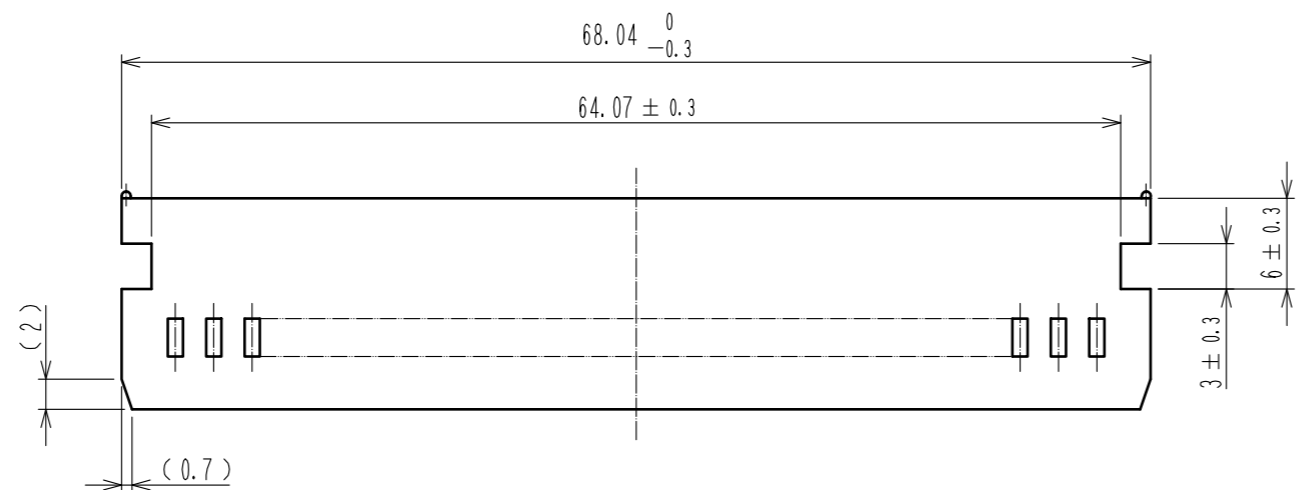


Jan.1.2022 Copyright 2022 HIROSE ELECTRIC CO., LTD. All Rights Reserved.
 In case of consideration for using Automotive equipment / device which demand high reliability, kindly contact our sales window correspondents.



HRS DRAWING FOR REFERENCE

Notes 1 The dimensions in parentheses are for reference.
 2 UL(File No. E52653)
 C-UL(File No. E52653) authorization article.



1	PBT	BLACK	UL94V-0					
NO.	MATERIAL	FINISH	REMARKS	NO.	MATERIAL	FINISH	REMARKS	
UNITS		SCALE	COUNT	DESCRIPTION OF REVISIONS		DESIGNED	CHECKED	DATE
mm		2 : 1	1	DIS-F-00005842		AK. IWAHORI	HT. YAMAGUCHI	20200217
HRS HIROSE ELECTRIC CO., LTD.		APPROVED : HT. YAMAGUCHI	20181210	DRAWING NO.		EDC-020066-63-00		
		CHECKED : HT. YAMAGUCHI	20181210	PART NO.		HIF3BA-50D-2. 54C(63)		
		DESIGNED : TS. OONO	20181207	CODE NO.		CL610-1048-9-63		
		DRAWN : MK. OOKI	20181207					