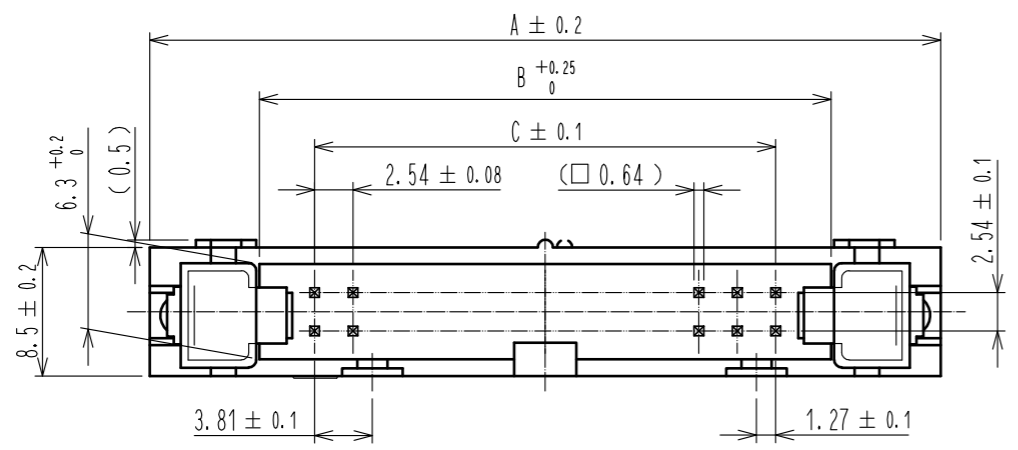
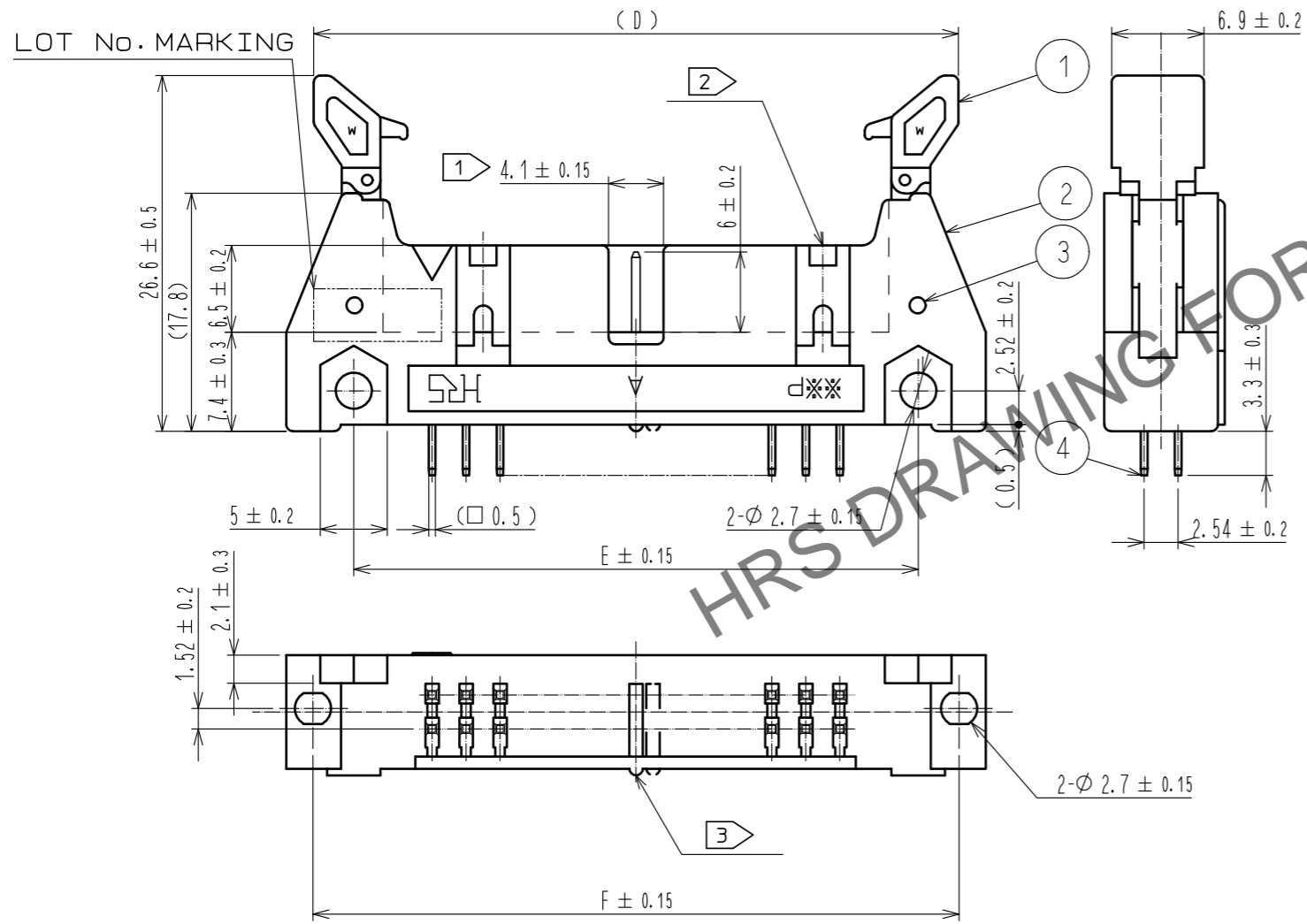
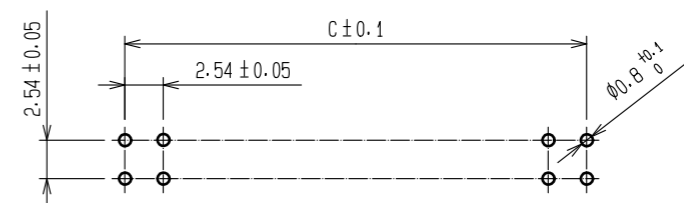


Jun.1.2026 Copyright 2026 HIROSE ELECTRIC CO., LTD. All Rights Reserved.
In case of consideration for using Automotive equipment / device which demand high reliability, kindly contact our sales window correspondents.



RECOMMENDED PC BOARD HOLE PATTERN
MATING SIDE



| HRS No. | CODE No. | B | A | B | C | D | 5 | E | F | 1 | 2 |
|--------------------------|-----------------|----|-------|------|-------|--------------|------|------|---------------|------------------------------------|------------------------------------|
| HIF3MAW-10PB-2.54DSA(63) | CL610-1088-0-63 | 10 | 32.0 | 17.5 | 10.16 | 28.14(51.1) | 21.8 | 27.9 | NONE | NONE | ONE ON RIGHT SIDE. |
| HIF3MDW-10PB-2.54DSA(63) | CL610-3024-0-63 | 10 | 32.0 | 17.5 | 10.16 | 28.14(51.1) | 21.8 | 27.9 | NONE | NONE | NONE |
| HIF3MAW-14PB-2.54DSA(63) | CL610-1089-0-63 | 14 | 37.1 | 22.6 | 15.24 | 33.24(56.2) | 26.9 | 33.0 | ONE AT CENTER | ONE ON RIGHT SIDE. | ONE ON RIGHT SIDE. |
| HIF3MAW-16PB-2.54DSA(63) | CL610-1090-0-63 | 16 | 39.6 | 25.1 | 17.78 | 35.74(58.7) | 29.5 | 35.5 | ONE AT CENTER | ONE ON RIGHT SIDE. | ONE ON RIGHT SIDE. |
| HIF3MAW-20PB-2.54DSA(63) | CL610-1091-0-63 | 20 | 44.7 | 30.2 | 22.86 | 40.84(63.8) | 34.5 | 40.6 | ONE AT CENTER | ONE ON RIGHT SIDE. | ONE ON RIGHT SIDE. |
| HIF3MAW-26PB-2.54DSA(63) | CL610-1092-0-63 | 26 | 52.3 | 37.8 | 30.48 | 48.44(71.4) | 42.2 | 48.3 | ONE AT CENTER | ONE ON RIGHT SIDE. | ONE ON RIGHT SIDE. |
| HIF3MAW-30PB-2.54DSA(63) | CL610-1093-0-63 | 30 | 57.4 | 42.9 | 35.56 | 53.54(76.5) | 47.2 | 53.3 | ONE AT CENTER | ONE ON RIGHT SIDE. | ONE ON RIGHT SIDE. |
| HIF3MAW-34PB-2.54DSA(63) | CL610-1094-0-63 | 34 | 62.5 | 48.0 | 40.64 | 58.64(81.6) | 52.3 | 58.4 | ONE AT CENTER | ONE ON RIGHT SIDE. | ONE ON RIGHT SIDE. |
| HIF3MAW-40PB-2.54DSA(63) | CL610-1095-0-63 | 40 | 70.1 | 55.6 | 48.26 | 66.24(89.2) | 59.9 | 66.0 | ONE AT CENTER | ONE ON RIGHT SIDE. | ONE ON RIGHT SIDE. |
| HIF3MAW-50PB-2.54DSA(63) | CL610-1096-0-63 | 50 | 82.8 | 68.3 | 60.96 | 78.94(101.9) | 72.6 | 78.7 | ONE AT CENTER | ONE ON RIGHT AND LEFT SIDES, RESP. | ONE ON RIGHT AND LEFT SIDES, RESP. |
| HIF3MAW-50PB-2.54DSA(63) | CL610-1099-0-63 | 50 | 82.8 | 68.3 | 60.96 | 78.94(101.9) | 72.6 | 78.7 | ONE AT CENTER | ONE ON RIGHT AND LEFT SIDES, RESP. | ONE ON RIGHT AND LEFT SIDES, RESP. |
| HIF3MAW-60PB-2.54DSA(63) | CL610-1097-0-63 | 60 | 95.5 | 81.0 | 73.66 | 91.64(114.6) | 85.3 | 91.4 | ONE AT CENTER | ONE ON RIGHT AND LEFT SIDES, RESP. | ONE ON RIGHT AND LEFT SIDES, RESP. |
| HIF3MBW-60PB-2.54DSA(63) | CL610-3022-0-63 | 60 | 95.5 | 81.0 | 73.66 | 91.64(114.6) | 85.3 | 91.4 | ONE AT CENTER | ONE ON RIGHT AND LEFT SIDES, RESP. | ONE ON RIGHT AND LEFT SIDES, RESP. |
| HIF3MAW-64PB-2.54DSA(63) | CL610-1098-0-63 | 64 | 100.6 | 86.1 | 78.74 | 96.74(119.7) | 90.4 | 96.5 | ONE AT CENTER | ONE ON RIGHT AND LEFT SIDES, RESP. | ONE ON RIGHT AND LEFT SIDES, RESP. |
| HIF3MBW-64PB-2.54DSA(63) | CL610-3023-0-63 | 64 | 100.6 | 86.1 | 78.74 | 96.74(119.7) | 90.4 | 96.5 | ONE AT CENTER | ONE ON RIGHT AND LEFT SIDES, RESP. | ONE ON RIGHT AND LEFT SIDES, RESP. |

- NOTES
- 1 THE NUMBER OF POLARIZING SLOT AND KEY INSTALLED POSITIONS CHANGES ACCORDING TO PRODUCTS. REFER TO THE LISTS AS SHOWN ABOVE.
 - 2 THE NUMBER OF POLARIZING SLOT AND KEY INSTALLED POSITIONS CHANGES ACCORDING TO PRODUCTS. REFER TO THE LISTS AS SHOWN ABOVE.
 - 3 THE SPACER MOVES TO THE RIGHT ACCORDING TO THE NUMBER OF CONTACTS.
 - 4 THE 10, 50, 60 AND 64 CONTACT CONNECTORS CONTAIN TWO TYPES OF POLARIZING SLOTS. USE PRODUCTS, CONFIRMING 1, 2
 - 5 THE DIMENSIONS IN PARENTHESES SHOWS WHEN THE LOCK OPEN OUT.
 - 6 ** INDICATES THE NUMBER OF CONTACTS.
 - 7 UL (FILE NO. E52653) CERTIFICATED PRODUCT
C-UL (FILE NO. E52653) CERTIFICATED PRODUCT



| | | | | |
|------|---------------------|--------|-------|--|
| B | NUMBER OF CONTACTS. | 4 | BRASS | CONTACT AREA: GOLD. 15# μm (ONE SURFACE) GOLD. 08# μm (TWO SURFACE) |
| 3 | STAINLESS | 4 | BRASS | DIP AREA: TIN-PLATING 2# μm |
| 1, 2 | PBT | 4 | BRASS | UNDER PLATING: NICKEL 2.5# μm |
| 部番 | 材質 | 処理, 備考 | 部番 | 材質 |
| | | | | 処理, 備考 |

| | | | | | | |
|-------------------------------|----------------------------|----------------------------|--------------------------|--------------------------|----------------------|-------------------------------|
| UNITS mm | SCALE FREE | △の数 | 訂正記事 | 設計 | 検図 | 年月日 |
| HRS HIROSE ELECTRIC CO., LTD. | 承認: HT. YAMAGUCHI 20250305 | 検図: HT. YAMAGUCHI 20250305 | 設計: TY. EDAGAWA 20250305 | 製図: TY. EDAGAWA 20250305 | 図番: EDC-408855-00-00 | 製品名: HIF3M*W-**PB-2.54DSA(63) |
| | | | | | 製品コード: CL610 | |