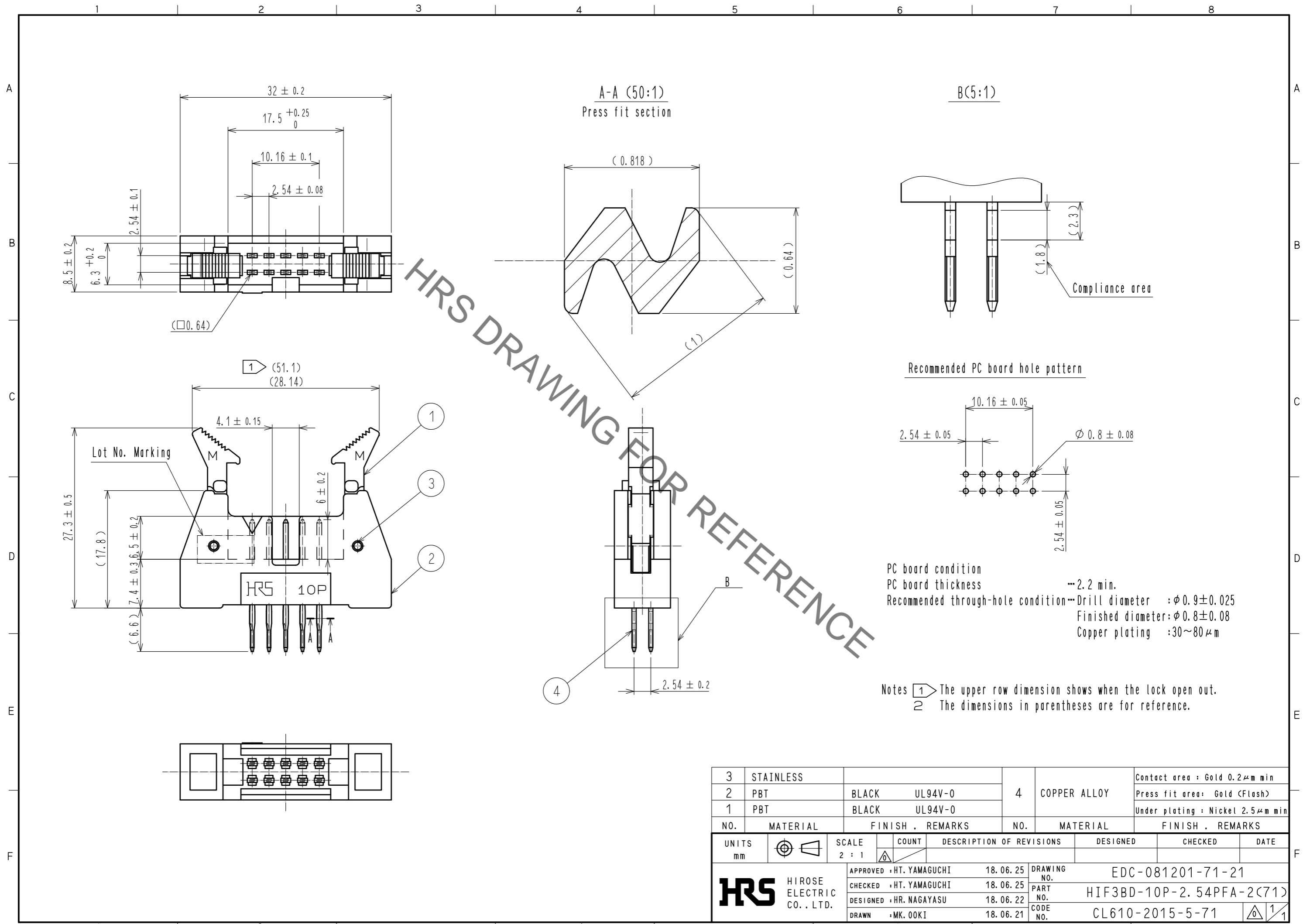


Feb.1.2023 Copyright 2023 HIROSE ELECTRIC CO., LTD. All Rights Reserved.
In case of consideration for using Automotive equipment / device which demand high reliability, kindly contact our sales window correspondents.



HRS DRAWING FOR REFERENCE

3	STAINLESS			4	COPPER ALLOY	Contact area : Gold $0.2 \mu\text{m}$ min		
2	PBT	BLACK	UL94V-0			Press fit area: Gold (Flash)		
1	PBT	BLACK	UL94V-0			Under plating : Nickel $2.5 \mu\text{m}$ min		
NO.	MATERIAL	FINISH	REMARKS	NO.	MATERIAL	FINISH	REMARKS	
UNITS		SCALE	COUNT	DESCRIPTION OF REVISIONS		DESIGNED	CHECKED	DATE
mm		2 : 1						
HRS HIROSE ELECTRIC CO., LTD.		APPROVED : HT. YAMAGUCHI	18.06.25	DRAWING NO.		EDC-081201-71-21		
		CHECKED : HT. YAMAGUCHI	18.06.25	PART NO.		HIF3BD-10P-2.54PFA-2(71)		
		DESIGNED : HR. NAGAYASU	18.06.22	CODE NO.		CL610-2015-5-71		
		DRAWN : MK. OOKI	18.06.21			1/1		