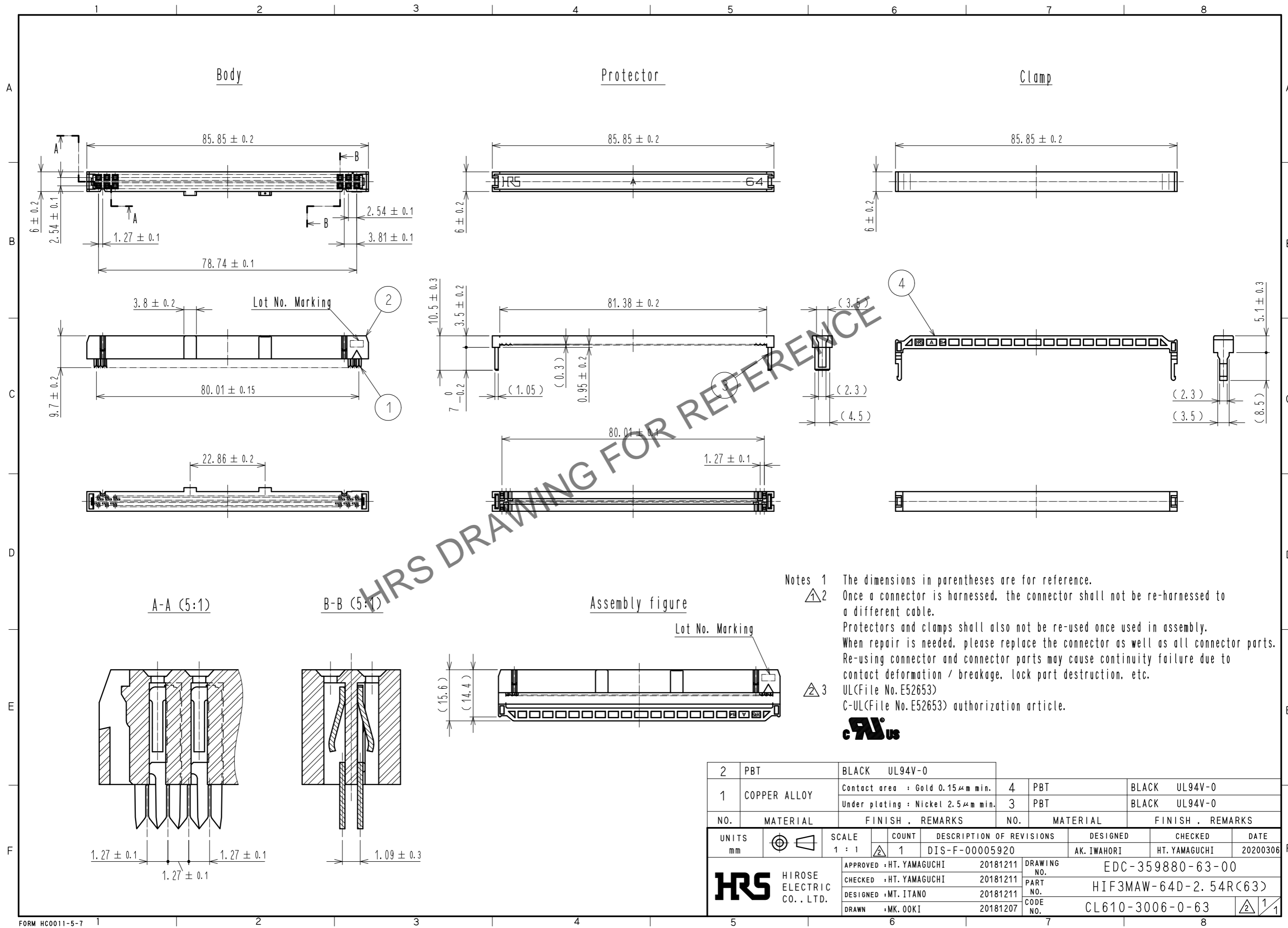


Aug.1.2024 Copyright 2024 HIROSE ELECTRIC CO., LTD. All Rights Reserved.  
 In case of consideration for using Automotive equipment / device which demand high reliability, kindly contact our sales window correspondents.



HRS DRAWING FOR REFERENCE

- Notes
- 1 The dimensions in parentheses are for reference.
  - 2 Once a connector is harnessed, the connector shall not be re-harnessed to a different cable.  
 Protectors and clamps shall also not be re-used once used in assembly. When repair is needed, please replace the connector as well as all connector parts. Re-using connector and connector parts may cause continuity failure due to contact deformation / breakage, lock part destruction, etc.
  - 3 UL(UL)File No. E52653)  
 C-UL(UL)File No. E52653) authorization article.



2	PBT	BLACK	UL94V-0	4	PBT	BLACK	UL94V-0
1	COPPER ALLOY	Contact area : Gold 0.15μm min.		3	PBT	BLACK	UL94V-0
		Under plating : Nickel 2.5μm min.					
NO.	MATERIAL	FINISH	REMARKS	NO.	MATERIAL	FINISH	REMARKS
UNITS	mm	SCALE	1 : 1	COUNT	1	DESCRIPTION OF REVISIONS	DIS-F-00005920
						DESIGNED	AK. IWAHORI
						CHECKED	HT. YAMAGUCHI
						DATE	20200306
APPROVED : HT. YAMAGUCHI		20181211		DRAWING NO. EDC-359880-63-00			
CHECKED : HT. YAMAGUCHI		20181211		PART NO. HIF3MAW-64D-2.54R(63)			
DESIGNED : MT. ITANO		20181211		CODE NO. CL610-3006-0-63			
DRAWN : MK. OOKI		20181207					