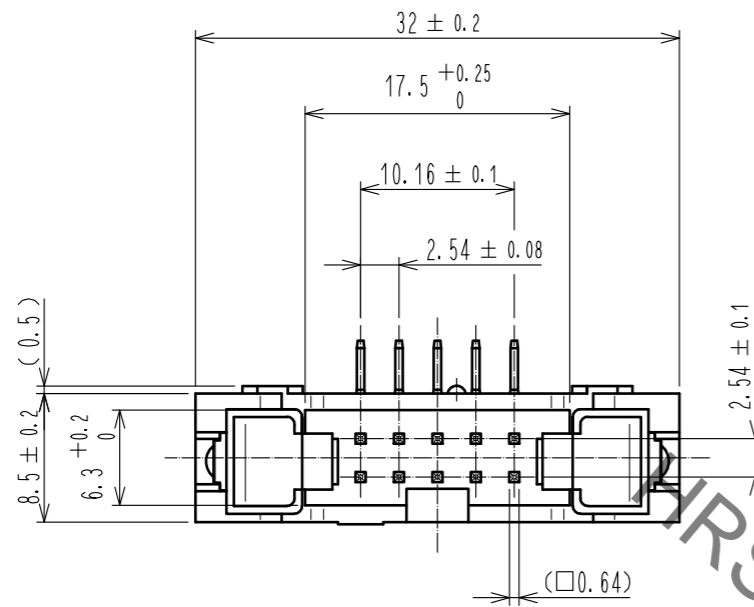
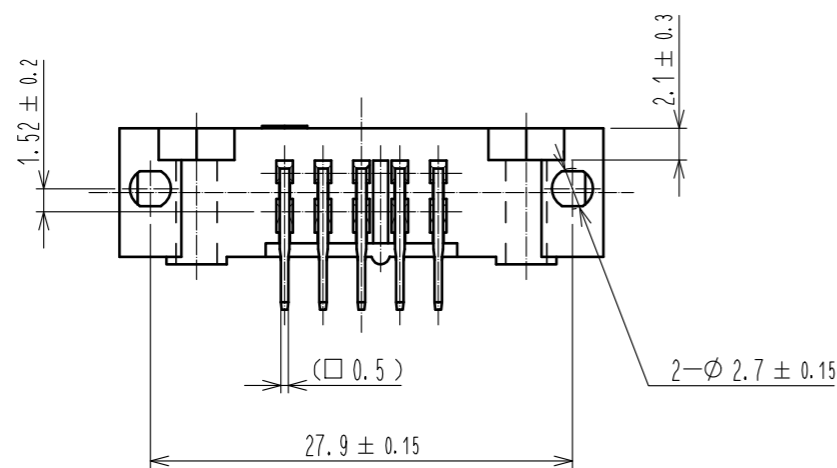
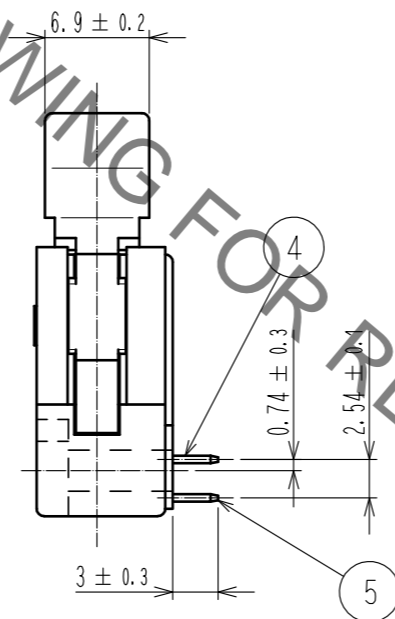
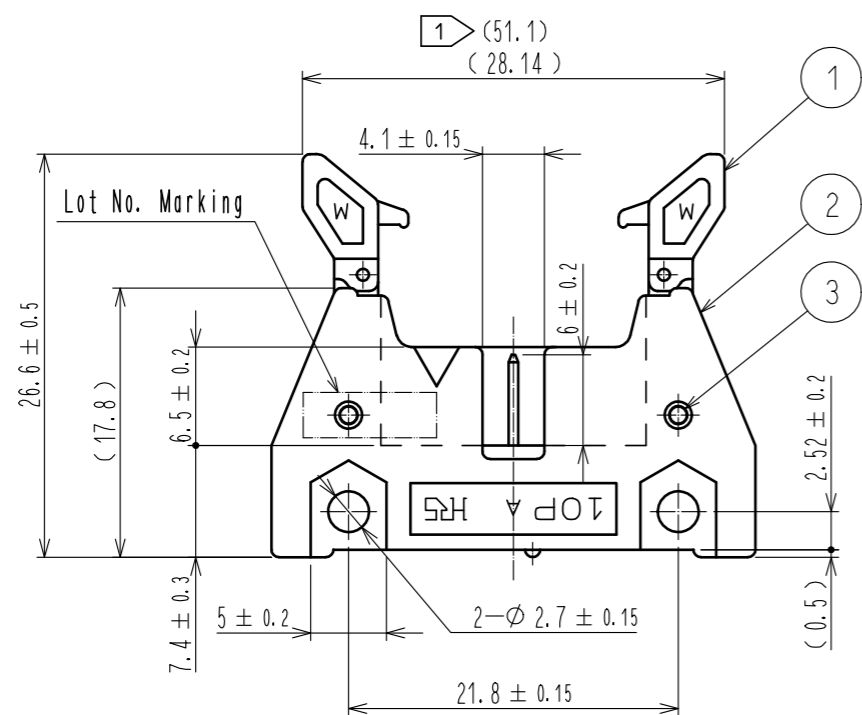
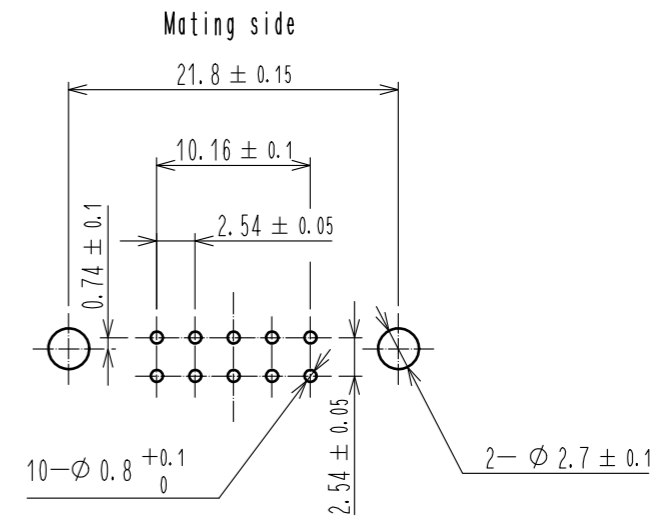


Feb.1.2023 Copyright 2023 HIROSE ELECTRIC CO., LTD. All Rights Reserved.
In case of consideration for using Automotive equipment / device which demand high reliability, kindly contact our sales window correspondents.



Recommended PC board hole pattern



- Notes
- 1 The upper row dimension shows when the lock open out.
 - 2 The dimensions in parentheses are for reference.
 - 3 UL(File No. E52653)
C-UL(File No. E52653) authorization article.



NO.	MATERIAL	FINISH	REMARKS	NO.	MATERIAL	FINISH	REMARKS
3	STAINLESS			5	BRASS		Contact area : Gold 0.15μm min. Dip area : TIN-Plating 2μm min. Under plating : Nickel 2.5μm min.
2	PBT	BLACK	UL94V-0			4	BRASS
1	PBT	BLACK	UL94V-0				

UNITS	SCALE	COUNT	DESCRIPTION OF REVISIONS	DESIGNED	CHECKED	DATE
mm	2 : 1	1	DIS-F-00005921	AK. IWAHORI	HT. YAMAGUCHI	20200306

APPROVED	CHECKED	DESIGNED	DRAWN	DRAWING NO.	PART NO.	CODE NO.
HT. YAMAGUCHI	HT. YAMAGUCHI	TS. OONO	MK. OOKI	EDC-361191-63-00	HIF3MDW-10PA-2.54DS(63)	CL610-3501-9-63