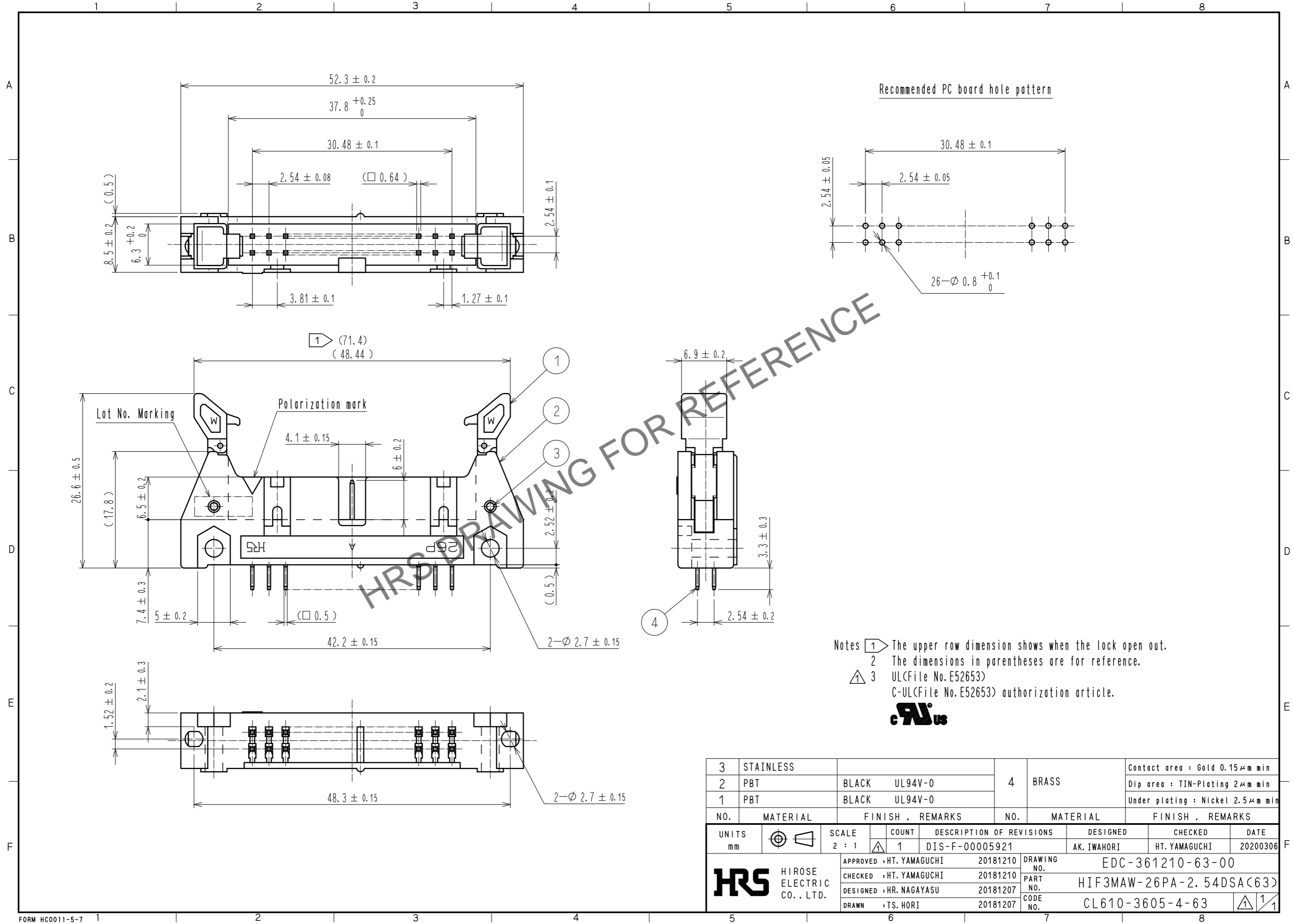


Jul.1.2024 Copyright 2024 HIROSE ELECTRIC CO., LTD. All Rights Reserved.
 In case of consideration for using Automotive equipment / device which demand high reliability, kindly contact our sales window correspondents.



3	STAINLESS			4	BRASS	Contact area : Gold 0.15μm min
2	PBT	BLACK	UL94V-0			Dip area : TIN-Plating 2μm min
1	PBT	BLACK	UL94V-0			Under plating : Nickel 2.5μm min
NO.	MATERIAL	FINISH	REMARKS	NO.	MATERIAL	FINISH . REMARKS
UNITS	mm	SCALE	2 : 1	COUNT	1	DESCRIPTION OF REVISIONS
						DESIGNED : AK. IWAHORI
						CHECKED : HT. YAMAGUCHI
						DATE : 20200306
APPROVED : HT. YAMAGUCHI		20181210		DRAWING NO. : EDC-361210-63-00		
CHECKED : HT. YAMAGUCHI		20181210		PART NO. : HIF3MAW-26PA-2.54DSA(63)		
DESIGNED : HR. NAGAYASU		20181207		CODE NO. : CL610-3605-4-63		
DRAWN : TS. HORI		20181207				