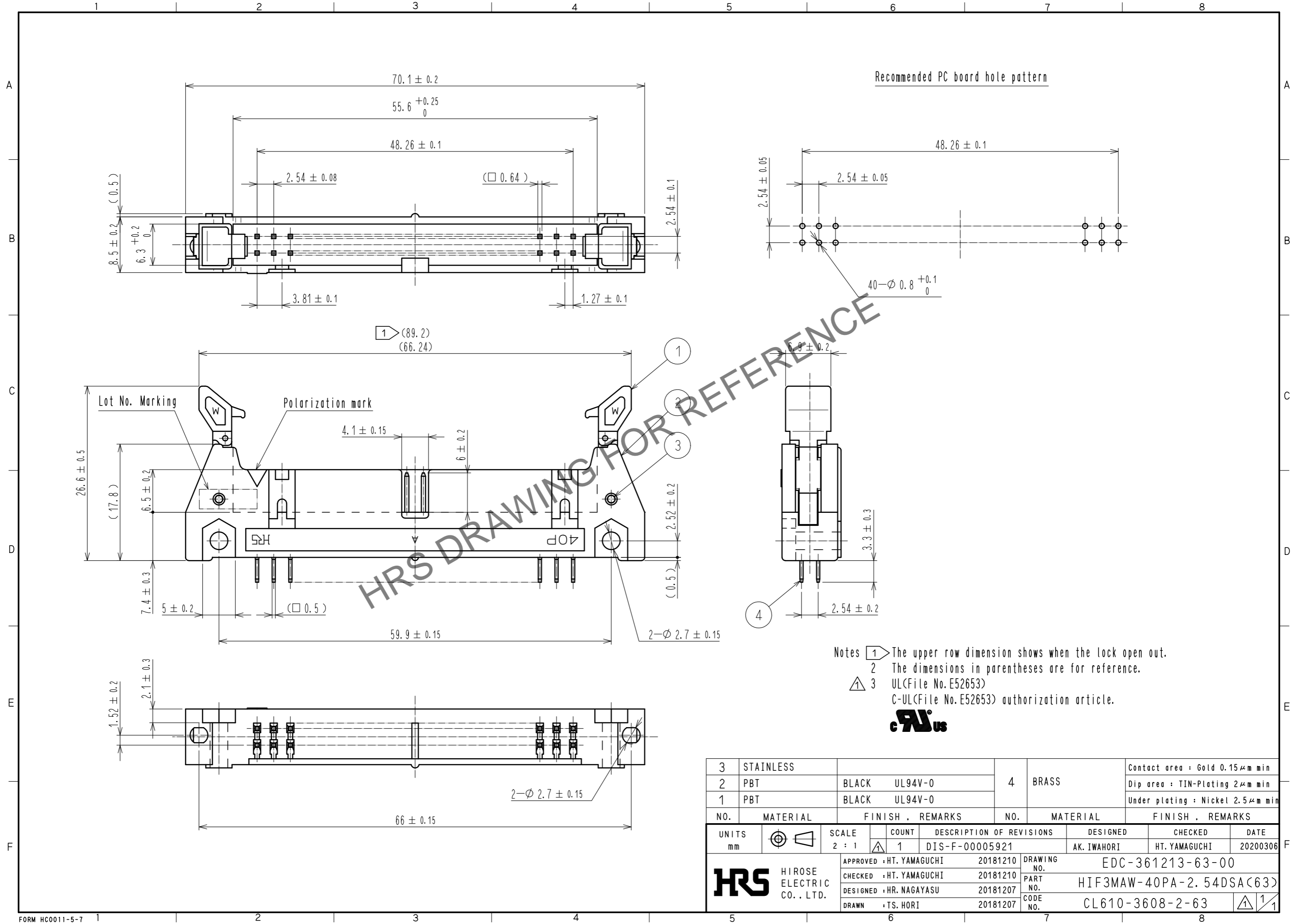


Jul.1.2024 Copyright 2024 HIROSE ELECTRIC CO., LTD. All Rights Reserved.  
 In case of consideration for using Automotive equipment / device which demand high reliability, kindly contact our sales window correspondents.



Notes

- 1 The upper row dimension shows when the lock open out.
- 2 The dimensions in parentheses are for reference.
- 3 UL(File No. E52653)  
C-UL(File No. E52653) authorization article.



3	STAINLESS			4	BRASS	Contact area : Gold 0.15μm min		
2	PBT	BLACK	UL94V-0			Dip area : TIN-Plating 2μm min		
1	PBT	BLACK	UL94V-0			Under plating : Nickel 2.5μm min		
NO.	MATERIAL	FINISH	REMARKS	NO.	MATERIAL	FINISH	REMARKS	
UNITS		SCALE	COUNT	DESCRIPTION OF REVISIONS		DESIGNED	CHECKED	DATE
mm		2 : 1	1	DIS-F-00005921		AK. IWAHORI	HT. YAMAGUCHI	20200306
<b>HRS</b> HIROSE ELECTRIC CO., LTD.		APPROVED : HT. YAMAGUCHI	20181210	DRAWING NO. EDC-361213-63-00				
		CHECKED : HT. YAMAGUCHI	20181210	PART NO. HIF3MAW-40PA-2.54DSA(63)				
		DESIGNED : HR. NAGAYASU	20181207	CODE NO. CL610-3608-2-63				
		DRAWN : TS. HORI	20181207					