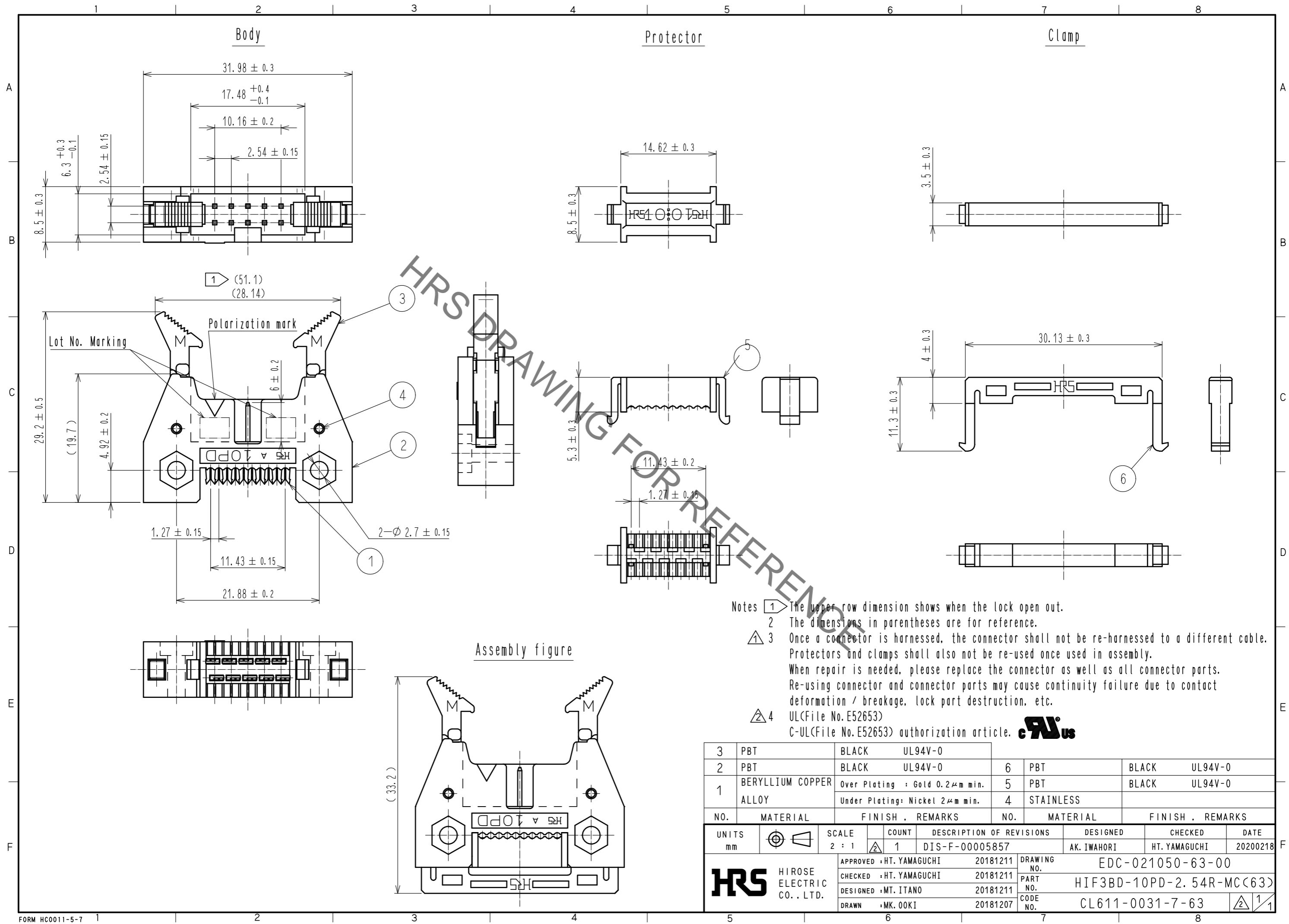


Feb.1.2023 Copyright 2023 HIROSE ELECTRIC CO., LTD. All Rights Reserved.
In case of consideration for using Automotive equipment / device which demand high reliability, kindly contact our sales window correspondents.



NO.	MATERIAL	FINISH	REMARKS	NO.	MATERIAL	FINISH	REMARKS
3	PBT	BLACK	UL94V-0	6	PBT	BLACK	UL94V-0
2	PBT	BLACK	UL94V-0	5	PBT	BLACK	UL94V-0
1	BERYLLIUM COPPER ALLOY	Over Plating : Gold 0.2μm min. Under Plating: Nickel 2μm min.		4	STAINLESS		

UNITS	SCALE	COUNT	DESCRIPTION OF REVISIONS	DESIGNED	CHECKED	DATE
mm	2 : 1	1	DIS-F-00005857	AK. IWAHORI	HT. YAMAGUCHI	20200218

APPROVED	CHECKED	DESIGNED	DRAWN	DRAWING NO.	PART NO.	CODE NO.
HT. YAMAGUCHI 20181211	HT. YAMAGUCHI 20181211	MT. ITANO 20181211	MK. OKI 20181207	EDC-021050-63-00	HIF3BD-10PD-2.54R-MC(63)	CL611-0031-7-63