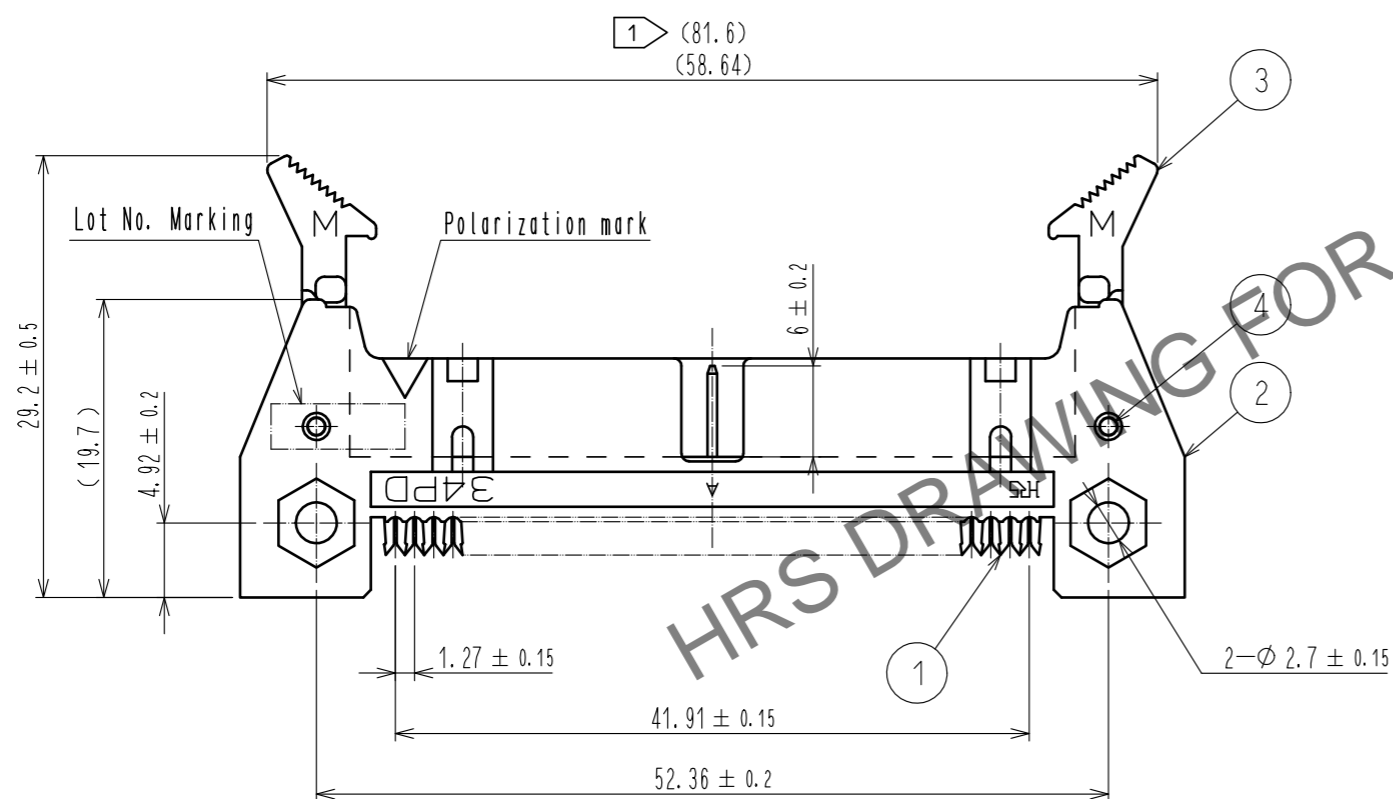
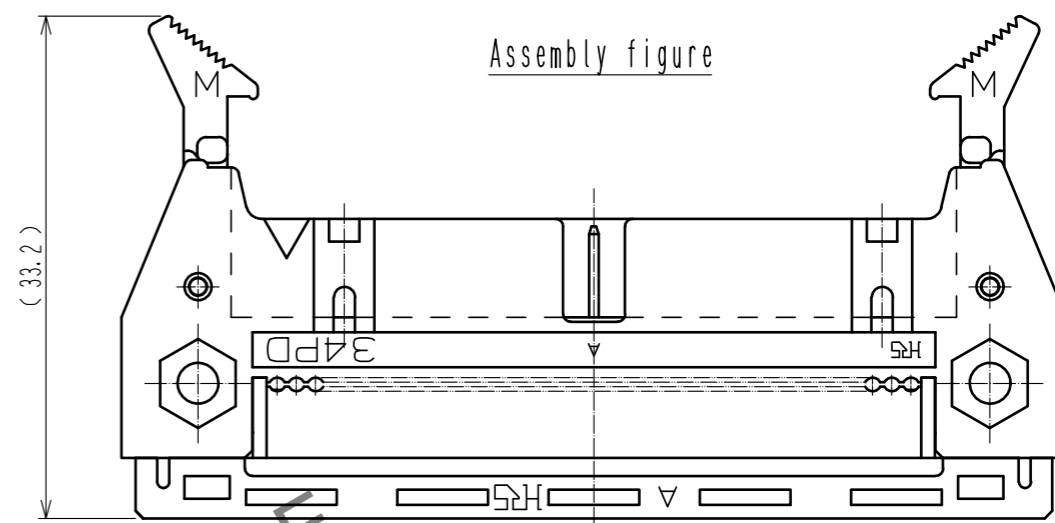
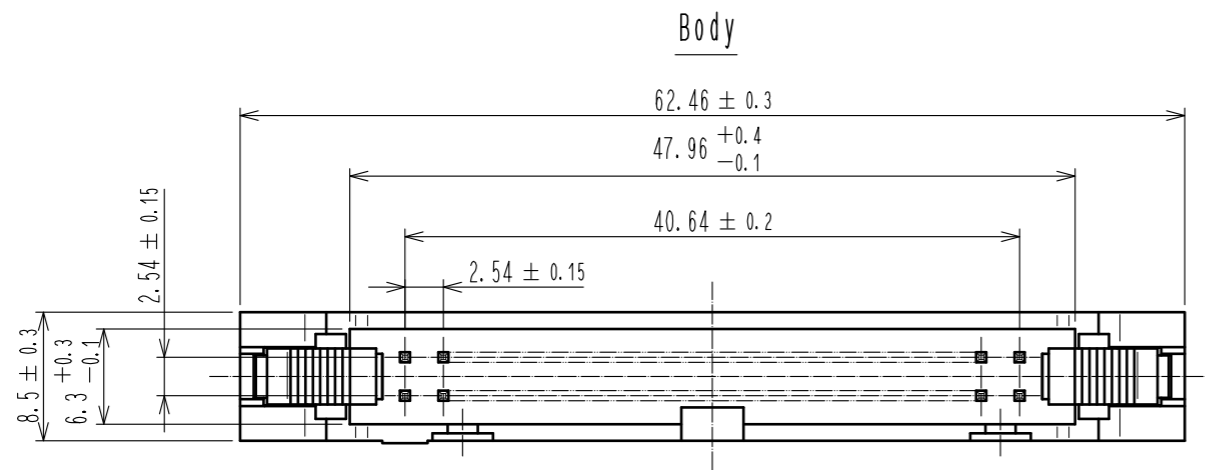
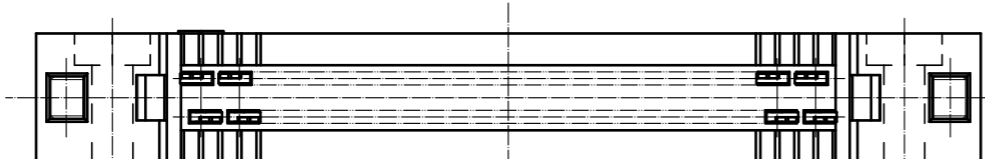


Jul.1.2024 Copyright 2024 HIROSE ELECTRIC CO., LTD. All Rights Reserved.
 In case of consideration for using Automotive equipment / device which demand high reliability, kindly contact our sales window correspondents.



- Notes
- ① The upper row dimension shows when the lock open out.
 - ② The dimensions in parentheses are for reference.
 - ⚠ ③ Once a connector is harnessed, the connector shall not be re-harnessed to a different cable. Protectors and clamps shall also not be re-used once used in assembly. When repair is needed, please replace the connector as well as all connector parts.
 - ⚠ ④ Re-using connector and connector parts may cause continuity failure due to contact deformation / breakage, lock part destruction, etc.
 UL(File No. E52653)
 C-UL(File No. E52653) authorization article.

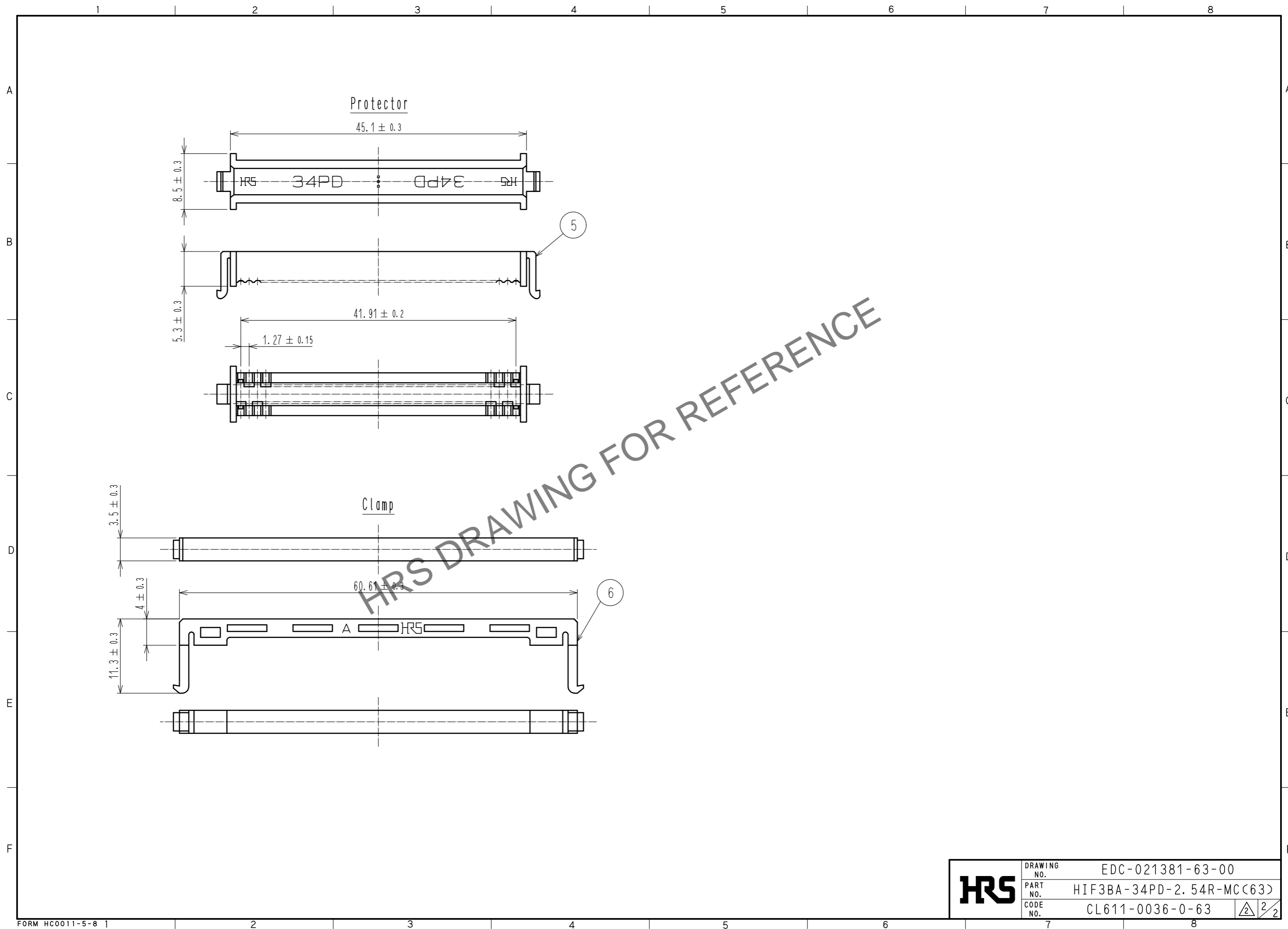


NO.	MATERIAL	FINISH . REMARKS	NO.	MATERIAL	FINISH . REMARKS
3	PBT	BLACK UL94V-0	6	PBT	BLACK UL94V-0
2	PBT	BLACK UL94V-0	5	PBT	BLACK UL94V-0
1	BERYLLIUM COPPER ALLOY	Over plating : Gold 0.2μm min.	4	STAINLESS	
		Under plating : Nickel 2μm min.			

UNITS	SCALE	COUNT	DESCRIPTION OF REVISIONS	DESIGNED	CHECKED	DATE
mm	2 : 1	1	DIS-F-00005857	AK. IWAHORI	HT. YAMAGUCHI	20200218

APPROVED : HT. YAMAGUCHI	20181211	DRAWING NO.	EDC-021381-63-00
CHECKED : HT. YAMAGUCHI	20181211	PART NO.	HIF3BA-34PD-2.54R-MC(63)
DESIGNED : MT. ITANO	20181211	CODE NO.	CL611-0036-0-63
DRAWN : MK. OKI	20181207		

Jul.1.2024 Copyright 2024 HIROSE ELECTRIC CO., LTD. All Rights Reserved.
In case of consideration for using Automotive equipment / device which demand high reliability, kindly contact our sales window correspondents.



HRS	DRAWING NO.	EDC-021381-63-00
	PART NO.	HIF3BA-34PD-2. 54R-MC(63)
	CODE NO.	CL611-0036-0-63

2/2