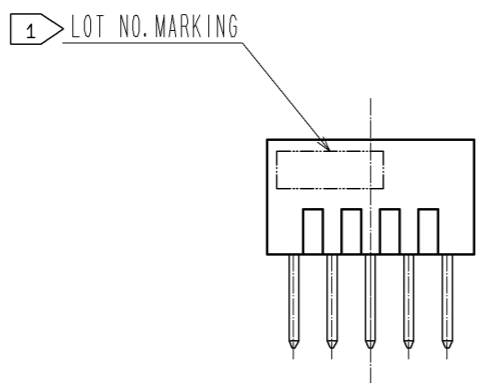
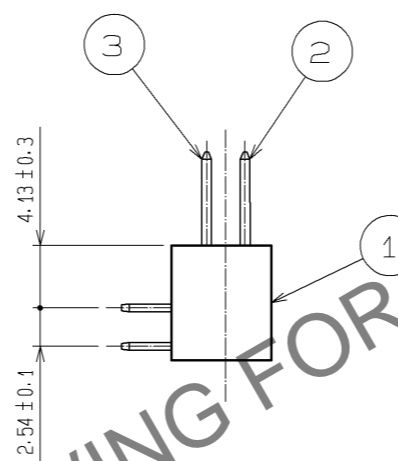
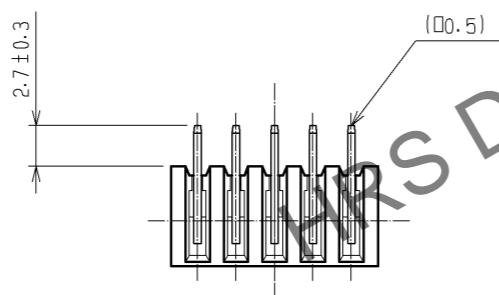
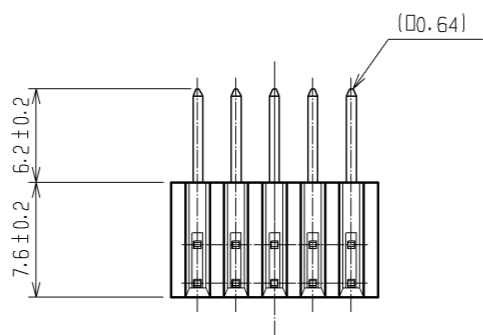
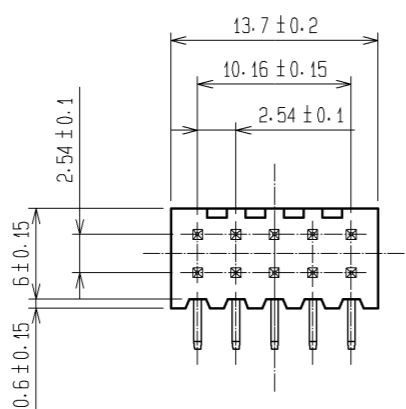
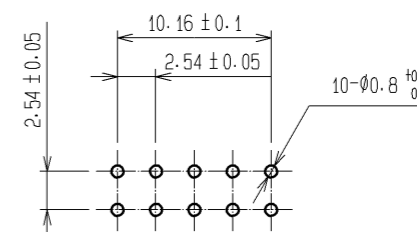


Jul.1.2024 Copyright 2024 HIROSE ELECTRIC CO., LTD. All Rights Reserved.
 In case of consideration for using Automotive equipment / device which demand high reliability, kindly contact our sales window correspondents.



RECOMMENDED PC BOARD HOLE PATTERN



- NOTES
- 1 LOT NO. MARKING SIDE SHALL BE OPTIONAL.
 - 2 THE DIMENSIONS IN PARENTHESES ARE FOR REFERENCE.

1	PBT	BLACK UL94V-0	2.3	BRASS	CONTACT AREA : GOLD 0.2μm min. DIP AREA : TIN-PLATING 2μm min. UNDER PLATING : NICKEL 2.5μm min.			
NO.	MATERIAL	FINISH . REMARKS	NO.	MATERIAL	FINISH . REMARKS			
UNITS mm		SCALE 2 : 1		COUNT	DESCRIPTION OF REVISIONS	DESIGNED	CHECKED	DATE
HRS HIROSE ELECTRIC CO., LTD.		APPROVED : HS. OKAWA	07.08.28	DRAWING NO. EDC4-016897-21				
		CHECED : HS. OZAWA	07.08.28	PART NO. HIF3E-10PA-2.54DS(71)				
		DESIGNED : KY. NAKAMURA	07.08.28	CODE NO. CL614-0041-0-71				
		DRAWN : TP. MATSUMOTO	07.08.27					