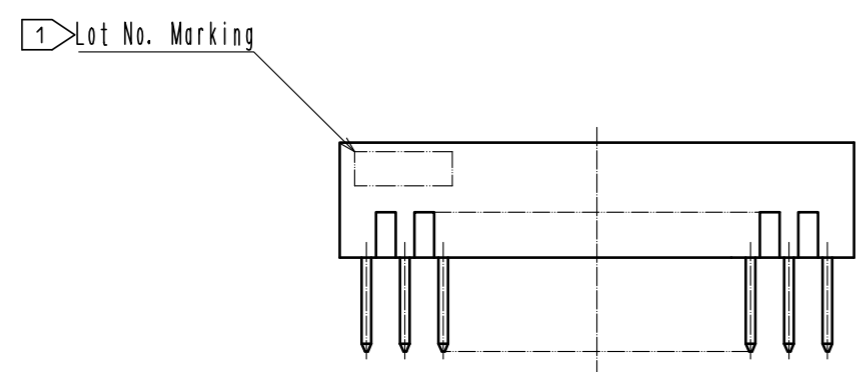
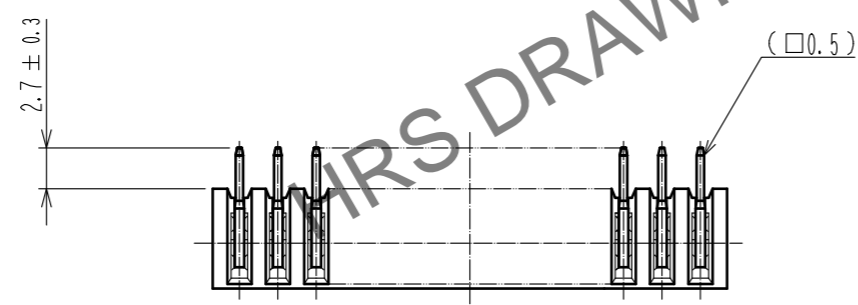
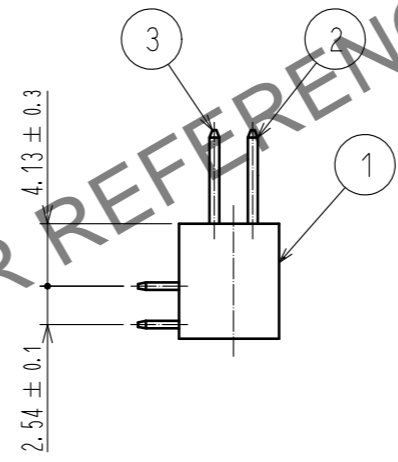
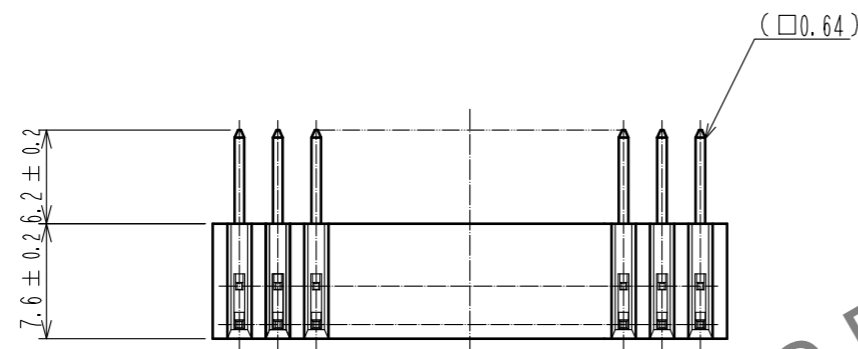
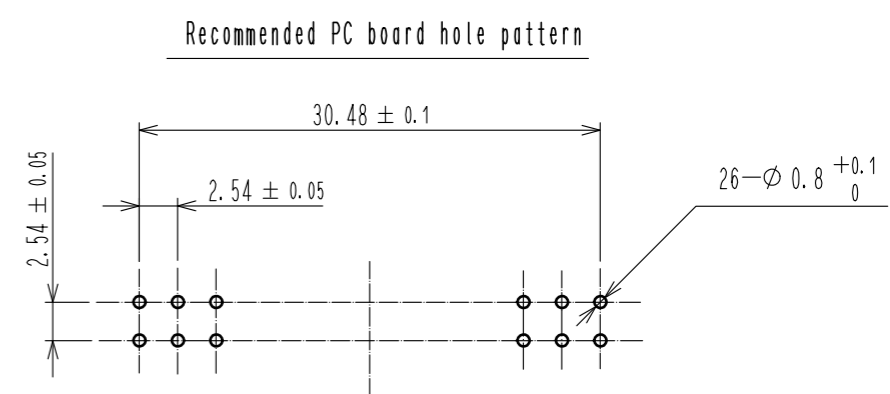
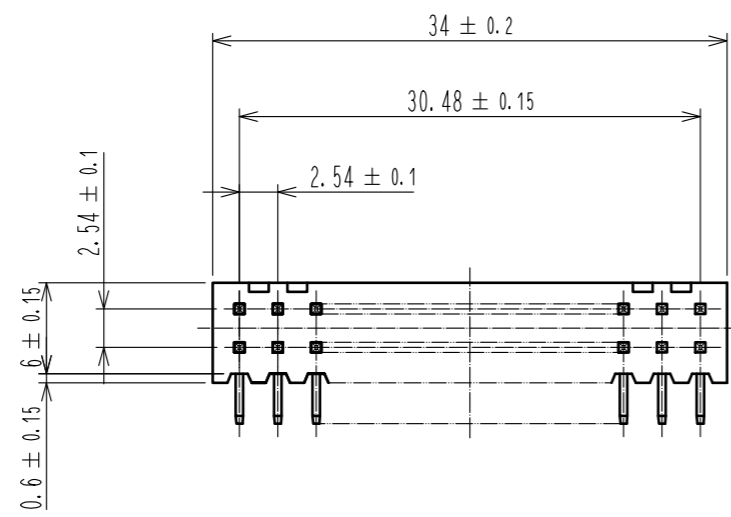


Jul.1.2024 Copyright 2024 HIROSE ELECTRIC CO., LTD. All Rights Reserved.
 In case of consideration for using Automotive equipment / device which demand high reliability, kindly contact our sales window correspondents.



Notes 1 The position of Lot No. is optional.
 2 The dimensions in parentheses are for reference.

3	BRASS	Contact area : Gold 0.2μm min. Dip area : TIN-Plating 2μm min. Under plating : Nickel 2.5μm min.
2	BRASS	Contact area : Gold 0.2μm min. Dip area : TIN-Plating 2μm min. Under plating : Nickel 2.5μm min.

NO.	MATERIAL	FINISH . REMARKS	NO.	MATERIAL	FINISH . REMARKS
1	PBT	BLACK UL94V-0			

UNITS	SCALE	COUNT	DESCRIPTION OF REVISIONS	DESIGNED	CHECKED	DATE
mm	2 : 1	△	APPROVED : HT. YAMAGUCHI 18.06.25			
			CHECKED : HT. YAMAGUCHI 18.06.25			
			DESIGNED : MT. ITANO 18.06.25			
			DRAWN : MK. OOKI 18.06.21			

DRAWING NO.	EDC-016900-71-21
PART NO.	HIF3E-26PA-2.54DS(71)
CODE NO.	CL614-0044-8-71