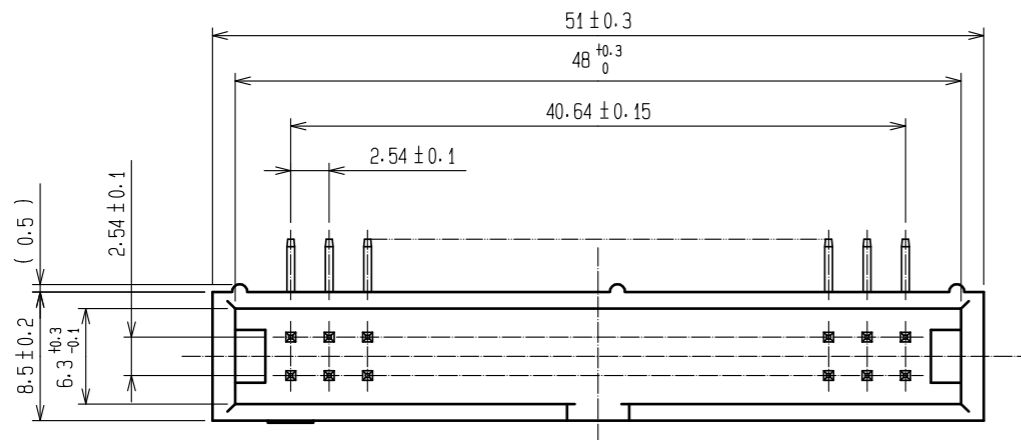
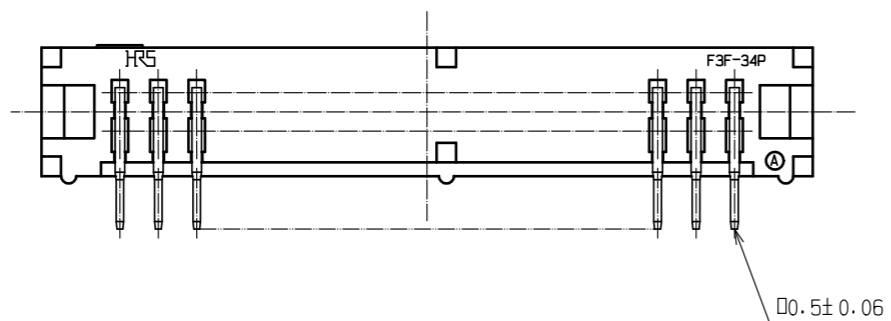
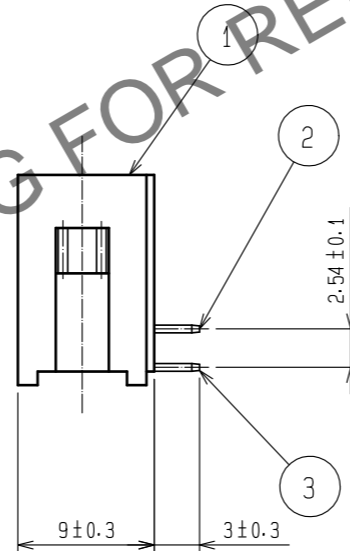
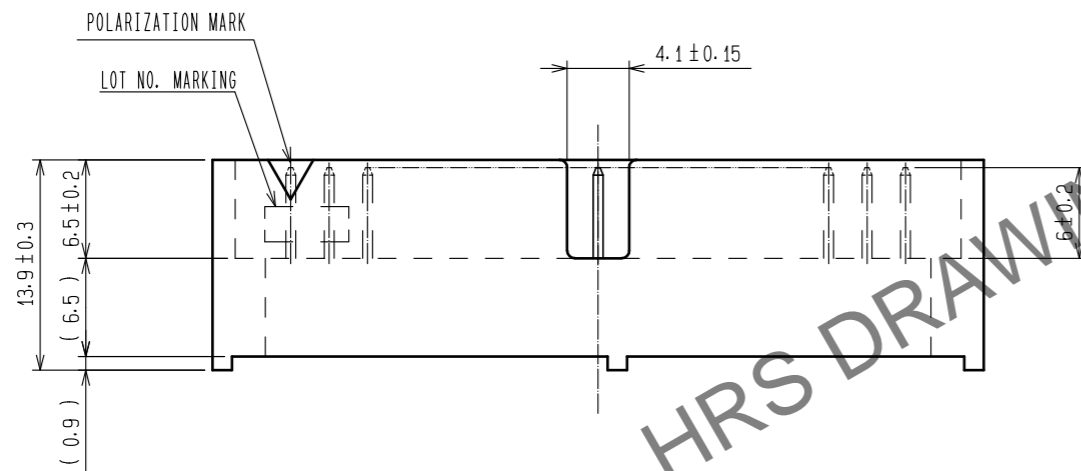
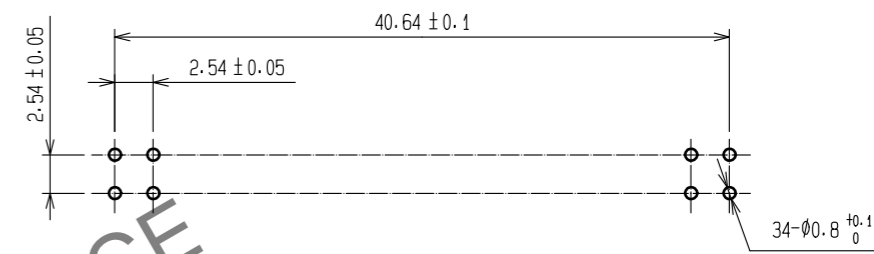


May.1.2026 Copyright 2026 HIROSE ELECTRIC CO., LTD. All Rights Reserved.  
In case of consideration for using Automotive equipment / device which demand high reliability, kindly contact our sales window correspondents.



RECOMMENDED PC BOARD HOLE PATTERN



NOTE 1. THE DIMENSIONS IN PARENTHESES ARE FOR REFERENCE.

1		PBT	BLACK	UL94V-0	2, 3	BRASS	CONTACT AREA: GOLD 0.2 μm min.
NO.		MATERIAL	FINISH . REMARKS		NO. MATERIAL		LEAD AREA: TIN-PLATING 2 μm min.
							UNDER PLATING: NICKEL 2.5 μm min.
UNITS		SCALE	COUNT	DESCRIPTION OF REVISIONS		DESIGNED	CHECKED
mm		2 : 1					
<b>HRS</b>		HIROSE ELECTRIC CO., LTD.	APPROVED : HS. OKAWA	15.07.29	DRAWING NO. EDC-016850-71-00		
			CHECKED : HT. YAMAGUCHI	15.07.29	PART NO. HIF3F-34PA-2.54DS(71)		
			DESIGNED : TH. SANO	15.07.28	CODE NO. CL615-0046-0-71		
			DRAWN : HR. NAGAYASU	15.07.28	1/1		