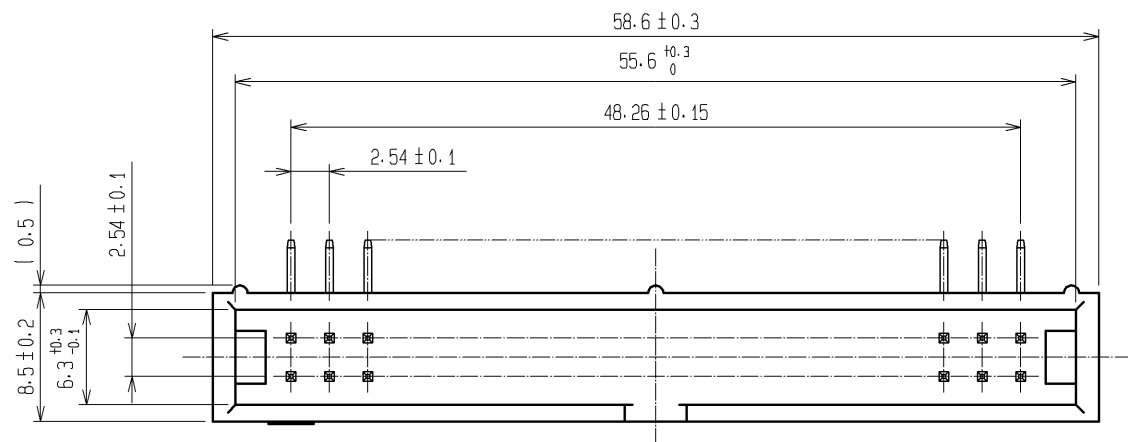
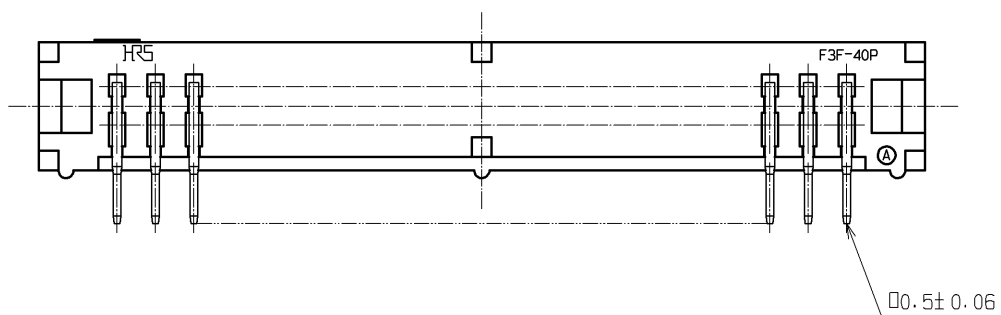
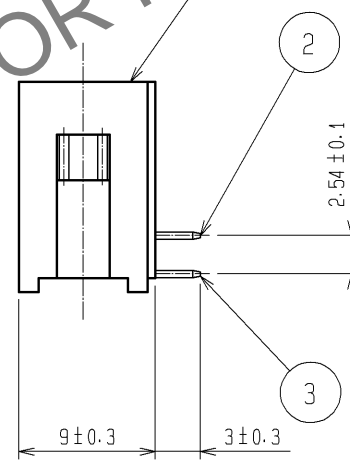
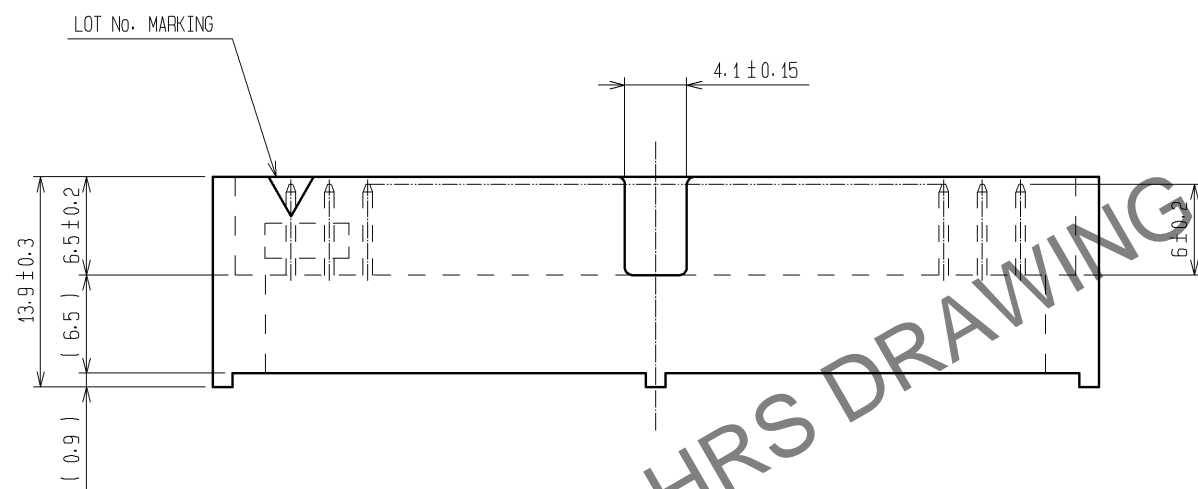
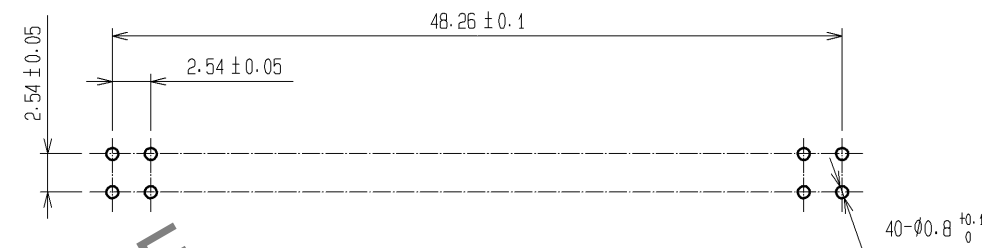


Jul.1.2024 Copyright 2024 HIROSE ELECTRIC CO., LTD. All Rights Reserved.
 In case of consideration for using Automotive equipment / device which demand high reliability, kindly contact our sales window correspondents.



RECOMMENDED PC BOARD HOLE PATTERN



NOTE 1 THE DIMENSION IN PARETHESES ARE FOR PREFERENCE.

1	PBT	BLACK	UL94V-0	2, 3	BRASS	CONTACT AREA:GOLD 0.2µm min. DIP AREA:TIN-PLATING 2µm min. UNDER PLATING:NICKEL 2.5µm min.
NO.	MATERIAL	FINISH . REMARKS		NO.	MATERIAL	FINISH . REMARKS
UNITS	⊕	SCALE	△	COUNT	DESCRIPTION OF REVISIONS	
mm		2 : 1			DESIGNED	CHECKED
HRS HIROSE ELECTRIC CO., LTD.		APPROVED : HS. OKAWA	07.05.28	DRAWING NO.		EDC3-016851-21
		CHECED : HS. OZAWA	07.05.28	PART NO.		HIF3F-40PA-2.54DS(71)
		DESIGNED : KT. DOI	07.05.25	CODE NO.		CL615-0047-2-71
		DRAWN : TS. MIYAKI	07.05.24			1/1