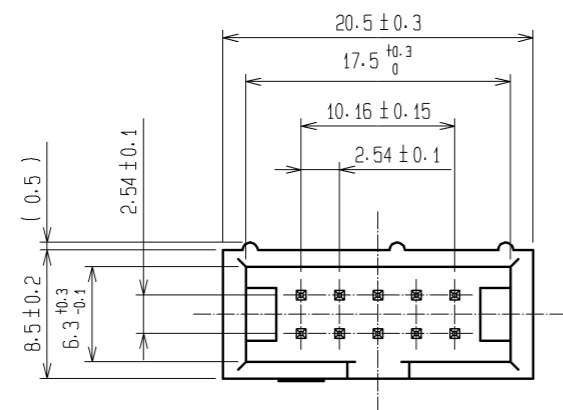
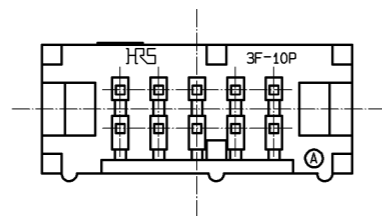
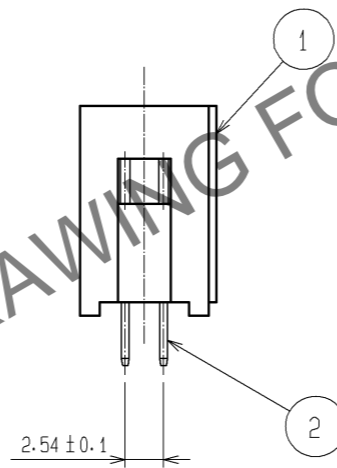
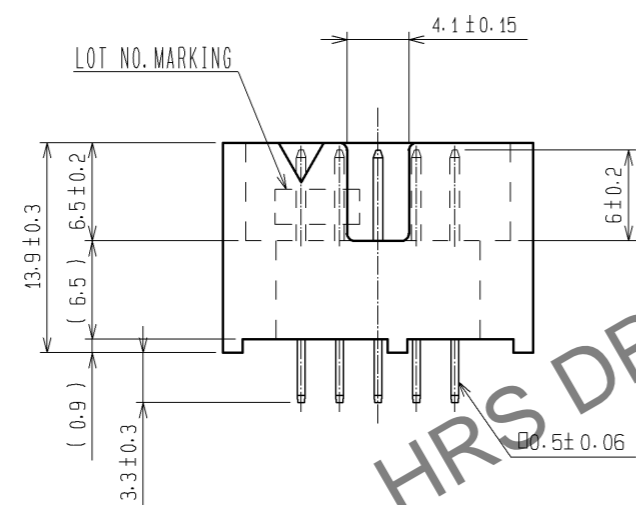
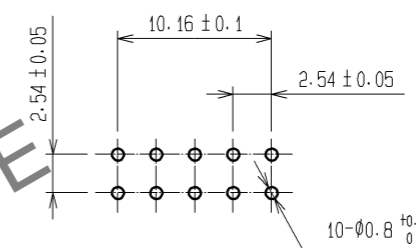


Jul.1.2024 Copyright 2024 HIROSE ELECTRIC CO., LTD. All Rights Reserved.
 In case of consideration for using Automotive equipment / device which demand high reliability, kindly contact our sales window correspondents.



RECOMMENDED PC BOARD HOLE PATTERN



NOTE 1. THE DIMENSIONS IN PARENTHESES ARE FOR REFERENCE.

1	PBT	BLACK UL94V-0	2	BRASS	CONTACT AREA : Ni2.5 μ m+Au0.2 μ m DIP AREA : Ni2.5 μ m+Sn2 μ m		
NO.	MATERIAL	FINISH . REMARKS	NO.	MATERIAL	FINISH . REMARKS		
UNITS mm		SCALE 2 : 1	COUNT \triangle	DESCRIPTION OF REVISIONS	DESIGNED	CHECKED	DATE
HRS HIROSE ELECTRIC CO., LTD.		APPROVED : HS. OKAWA	12.06.05	DRAWING NO. EDC3-016854-21			
		CHECKED : HT. YAMAGUCHI	12.06.05	PART NO. HIF3F-10PA-2.54DSA(71)			
		DESIGNED : KJ. NISHIWAKI	12.06.05	CODE NO. CL615-0061-3-71			
		DRAWN : CR. TAKESHIMA	12.06.05			\triangle 1/1	