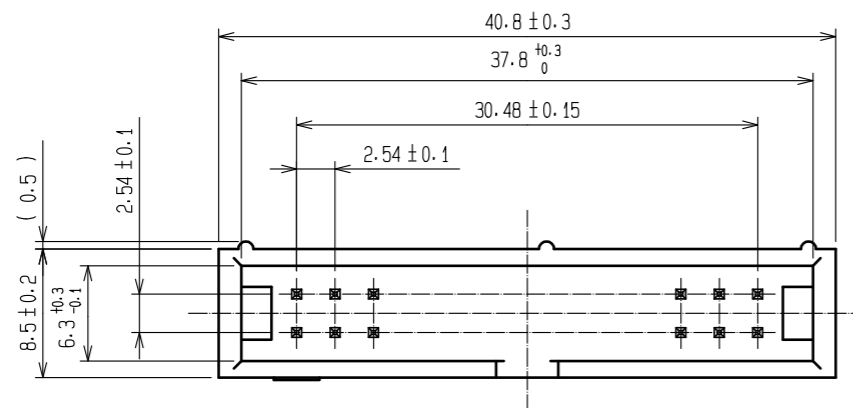
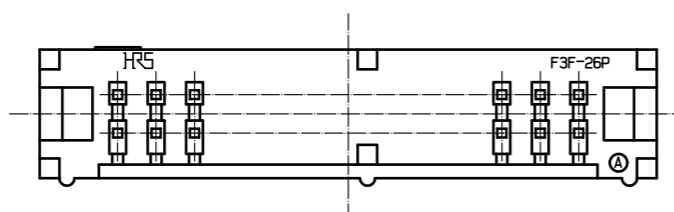
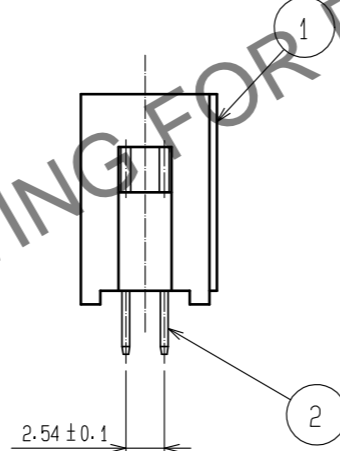
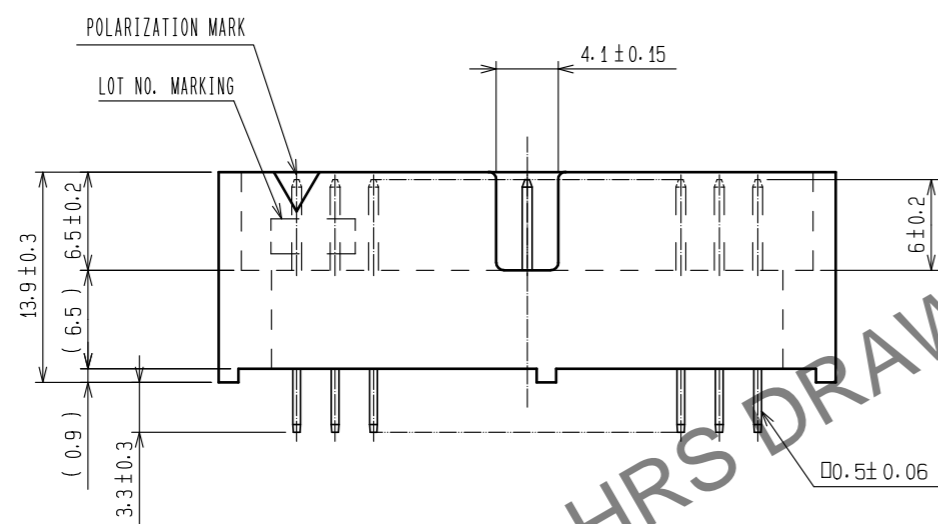
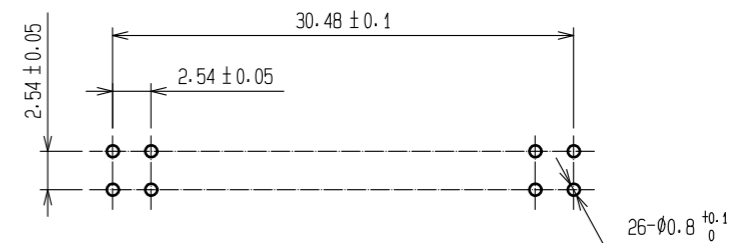


Aug.1.2024 Copyright 2024 HIROSE ELECTRIC CO., LTD. All Rights Reserved.
 In case of consideration for using Automotive equipment / device which demand high reliability, kindly contact our sales window correspondents.



RECOMMENDED PC BOARD HOLE PATTERN



HRS DRAWING FOR REFERENCE

NOTE 1. THE DIMENSIONS IN PARENTHESES ARE FOR REFERENCE.

1	PBT	BLACK	UL94V-0	2	BRASS	CONTACT AREA:GOLD 0.2μm min.
NO.	MATERIAL	FINISH	REMARKS	NO.	MATERIAL	LEAD AREA:TIN-PLATING 2μm min.
						UNDER PLATING:NICKEL 2.5μm min.
UNITS	⊙	SCALE	COUNT	DESCRIPTION OF REVISIONS		DESIGNED
mm		2 : 1	△			CHECKED
HIROSE ELECTRIC CO., LTD.		APPROVED : HS. OKAWA	15.07.29	DRAWING NO.		EDC-016857-71-00
		CHECKED : HT. YAMAGUCHI	15.07.29	PART NO.		HIF3F-26PA-2.54DSA(71)
		DESIGNED : TH. SANO	15.07.28	CODE NO.		CL615-0064-1-71
		DRAWN : HR. NAGAYASU	15.07.28			1/1