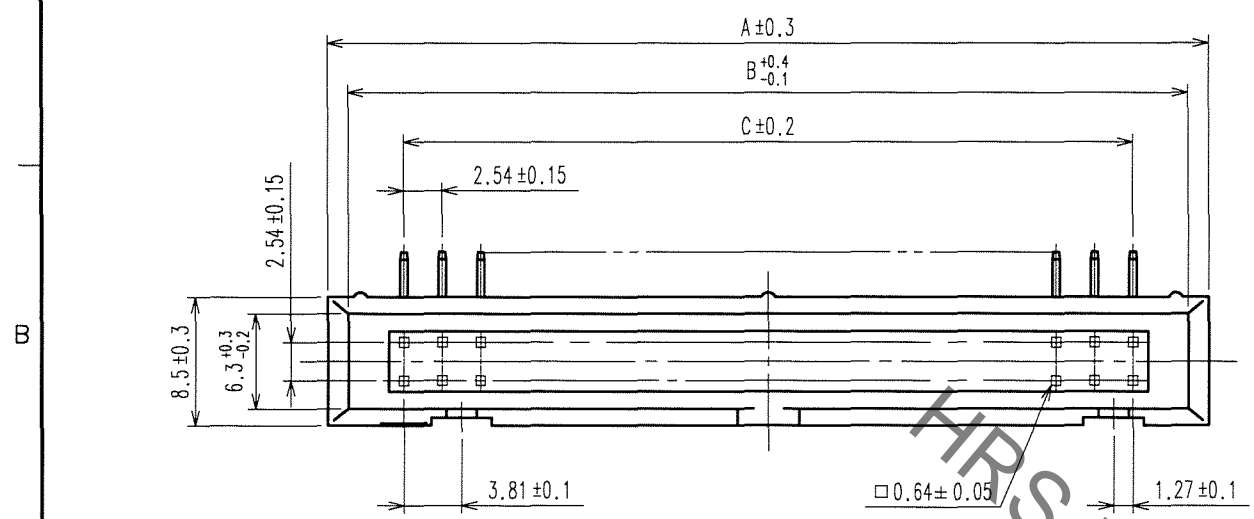
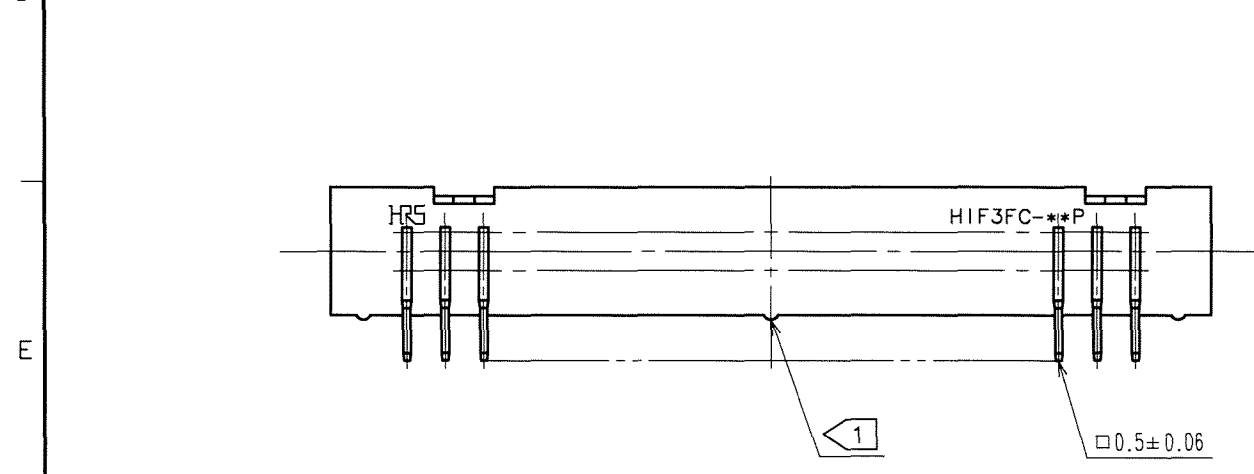
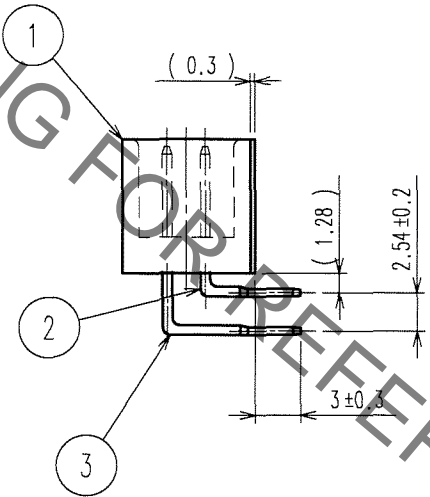
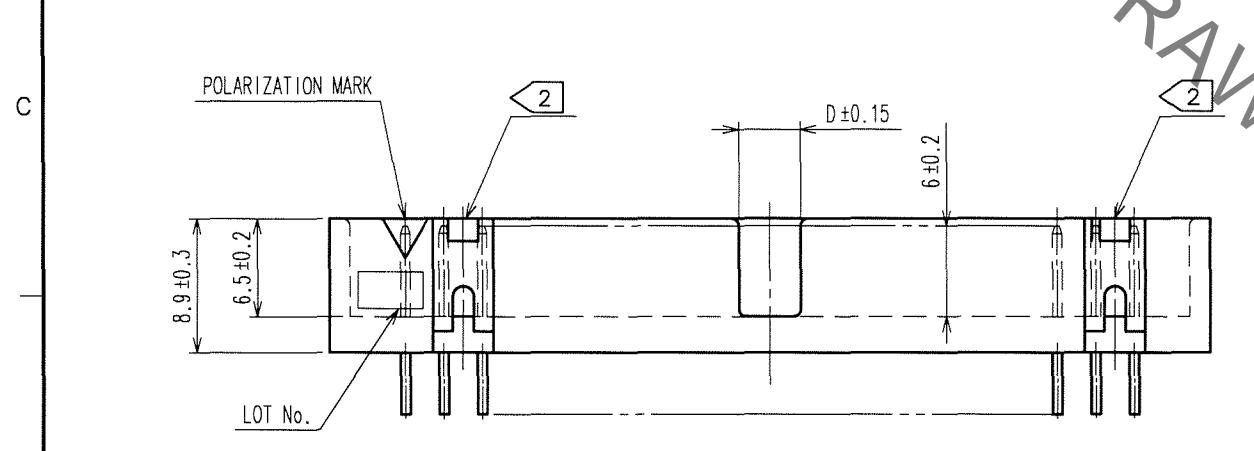
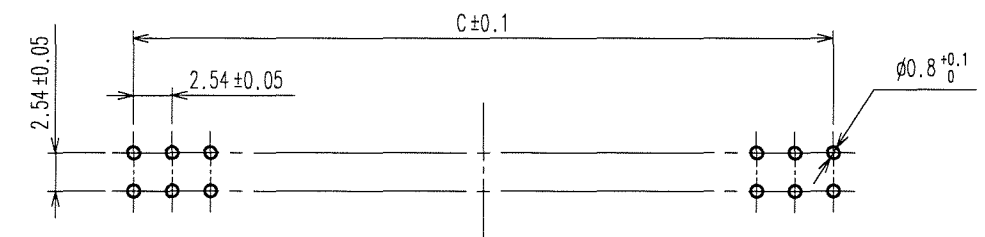


Feb. 1. 2023 Copyright 2023 HIROSE ELECTRIC CO., LTD. All Rights Reserved.  
In case of consideration for using Automotive equipment / device which demand high reliability, kindly contact our sales window correspondents.

COUNT	DESCRIPTION OF REVISIONS	BY	CHKD	DATE	COUNT	DESCRIPTION OF REVISIONS	BY	CHKD	DATE
△				..	△				..
△				..	△				..
△				..	△				..



RECOMMENDED PC BOARD HOLE PATTERN



PART No.	HRS No.	PIN	A	B	C	D	POLARIZING KEY MOUNT
HIF3FC- 10PA-2.54DS(71)	CL616-0061-0-71	10	20.2	17.5	10.16	4.1	NONE
HIF3FC- 14PA-2.54DS(71)	CL616-0062-2-71	14	25.28	22.58	15.24	4.1	1 ON RIGHT SIDE
HIF3FC- 16PA-2.54DS(71)	CL616-0063-5-71	16	27.82	25.12	17.78	4.1	1 EACH ON LEFT & RIGHT SIDE.
HIF3FC- 20PA-2.54DS(71)	CL616-0064-8-71	20	32.9	30.2	22.86	4.1	
HIF3FC- 26PA-2.54DS(71)	CL616-0065-0-71	26	40.52	37.82	30.48	4.1	
HIF3FC- 30PA-2.54DS(71)	CL616-0066-3-71	30	45.6	42.9	35.56	4.1	
HIF3FC- 34PA-2.54DS(71)	CL616-0067-6-71	34	50.68	47.98	40.64	4.1	
HIF3FC- 40PA-2.54DS(71)	CL616-0068-9-71	40	58.3	55.6	48.26	4.1	
HIF3FC- 50PA-2.54DS(71)	CL616-0069-1-71	50	71.0	68.3	60.96	4.1	
HIF3FCA-50PA-2.54DS(71)	CL616-0070-0-71	50	71.0	68.3	60.96	26.96	

- NOTE 1 THE 10 CONTACT TYPE HAS NO STAND OFF AT THE CENTER.  
 2 THE NUMBER OF POLARIZING KEY MOUNTS DEFFERS AS TO THE NUMBER OF PINS, REFER TO THE TABLE.  
 3 \*\* INDICATES THE NUMBER OF CONTACT.  
 4 THE DIMENSIONS IN PARENTHESSES ARE FOR REFERENCE.

1	PBT	BLACK, UL94 V-0	2.3	BRASS	CONTACT AREA:GOLD 0.2μ m min. DIP AREA:TIN-PLATING 2μ m min. UNDER PLATING:NICKEL 2μ m min.
NO.	MATERIAL	FINISH, REMARKS	NO.	MATERIAL	FINISH, REMARKS

CODE NO. (OLD) CL	DRAWN A. SUZUKAWA '06.05.08	DESIGNED H. Nakamura 06.05.10	CHECKED C. Chawa 06.05.10	APPROVED H. Okawa 06.05.10	RELEASED
----------------------	-----------------------------------	-------------------------------------	---------------------------------	----------------------------------	----------

SCALE FREE	DRAWING NO. EDC3-151846-21	PART NO. HIF3FC-**-PA-2.54DS(71)
UNITS mm	HRS HIROSE ELECTRIC CO., LTD	CODE NO. CL616

TO  
PCK

1/1