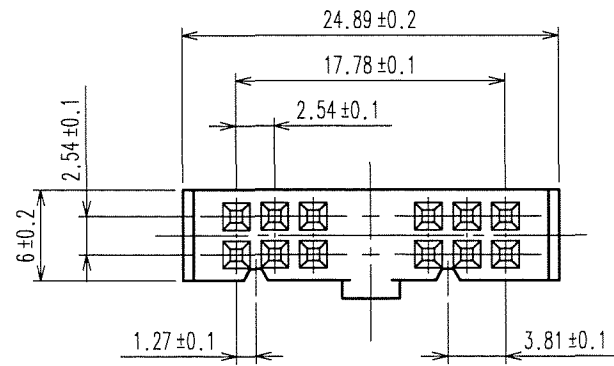
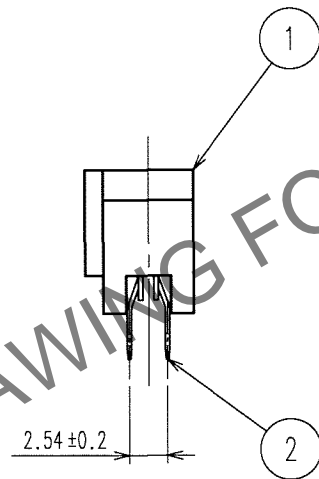
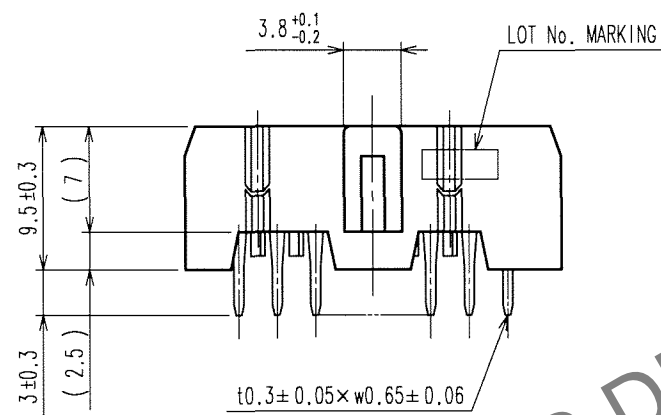
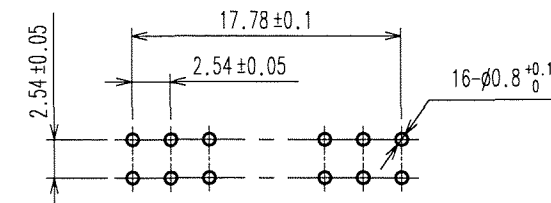


Jul.1.2024 Copyright 2024 HIROSE ELECTRIC CO., LTD. All Rights Reserved.
 In case of consideration for using Automotive equipment / device which demand high reliability, kindly contact our sales window correspondents.

COUNT	DESCRIPTION OF REVISIONS	BY	CHKD	DATE	COUNT	DESCRIPTION OF REVISIONS	BY	CHKD	DATE
△				..	△				..
△				..	△				..
△				..	△				..

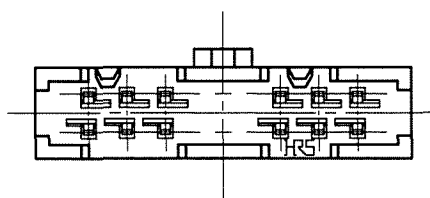


RECOMMENDED LAND PATTERN DIMENSION OF P.C.B.



HRS DRAWING FOR REFERENCE

NOTE 1. THE DIMENSIONS IN PARENTHESES ARE FOR REFERENCE.



TO

1	PBT	BLACK UL94V-0	2	COPPER ALLOY	CONTACT AREA : GOLD 0.2μ m min. LEAD AREA: TIN-PLATING 2μ m min. UNDER PLATING : NICKEL 2.5μ m min.
NO.	MATERIAL	FINISH, REMARKS	NO.	MATERIAL	FINISH, REMARKS
CODE NO. (OLD) CL		DRAWN K.DOI 06.04.28	DESIGNED <i>K. Doi</i> 06.04.28	CHECKED <i>K. Ozawa</i> 06.04.28	APPROVED <i>H. Okawa</i> 06.04.28
DRAWING NO. EDC3-019395-21		PART NO. HIF3FB-16DA-2.54DSA(71)		CODE NO. CL616-0203-2-71	
SCALE 2 : 1		UNITS mm		HRS HIROSE ELECTRIC CO., LTD	

1/1