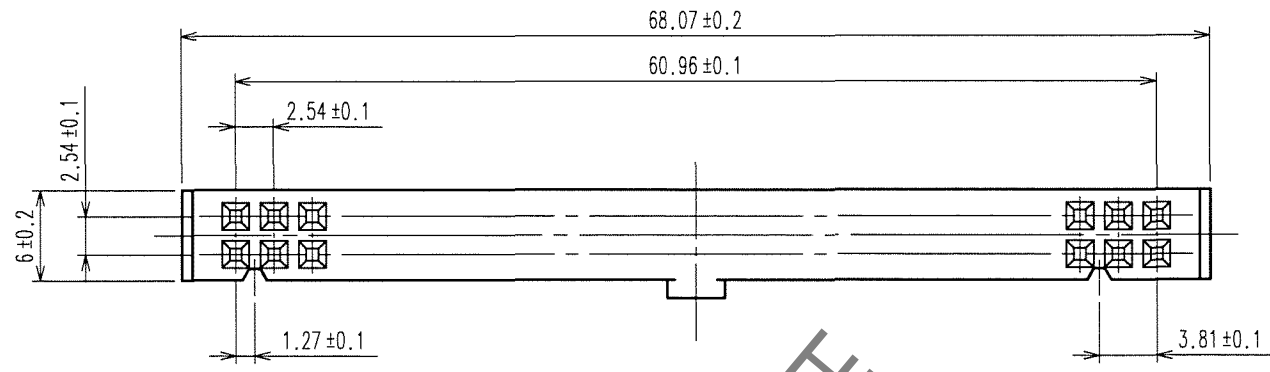
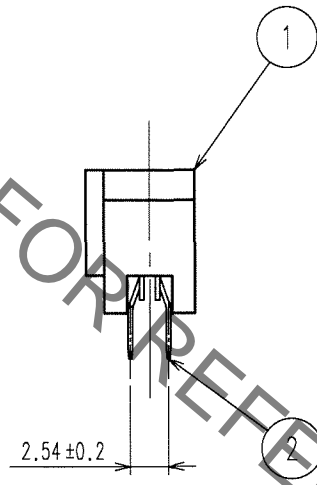
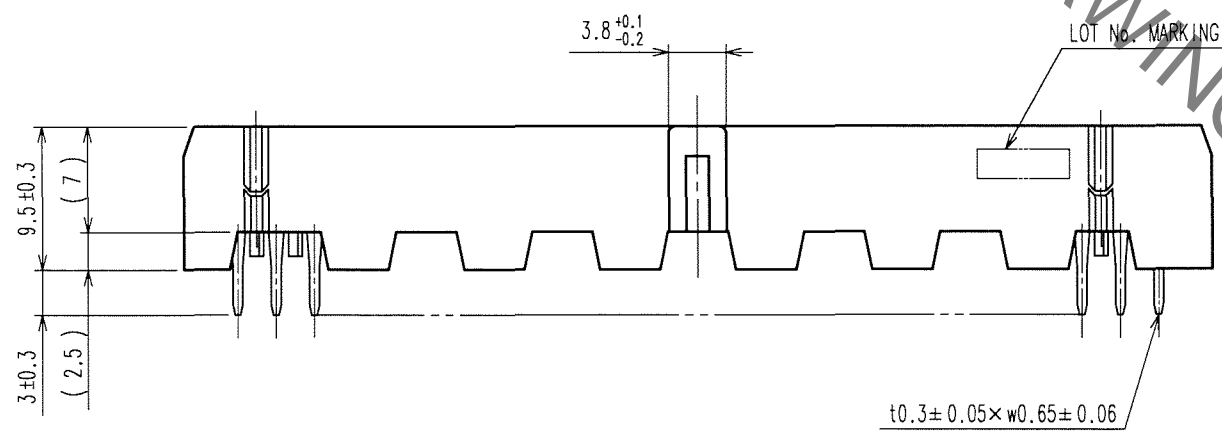
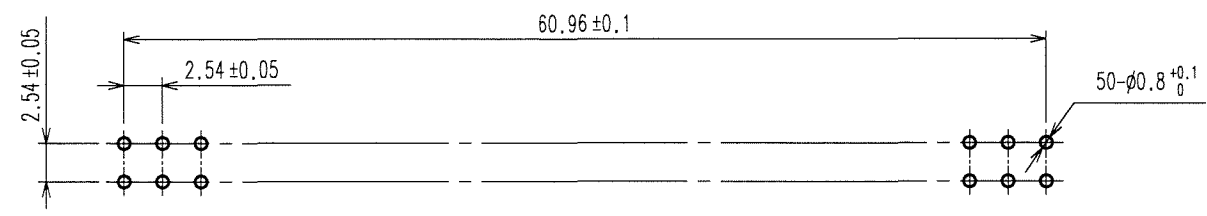


Jan.1.2022 Copyright 2022 HIROSE ELECTRIC CO., LTD. All Rights Reserved.
 In case of consideration for using Automotive equipment / device which demand high reliability, kindly contact our sales window correspondents.

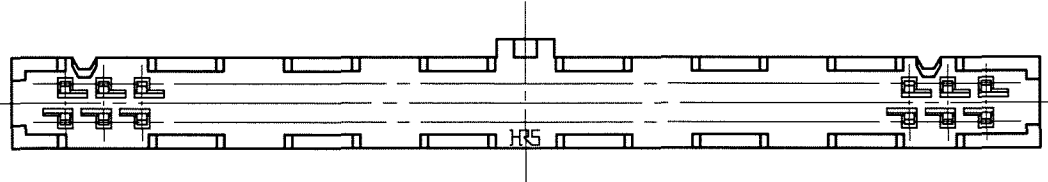
COUNT	DESCRIPTION OF REVISIONS	BY	CHKD	DATE	COUNT	DESCRIPTION OF REVISIONS	BY	CHKD	DATE
△				..	△				..
△				..	△				..
△				..	△				..



RECOMMENDED LAND PATTERN DIMENSION OF P.C.B.



NOTE 1. THE DIMENSIONS IN PARENTHESES ARE FOR REFERENCE.



1	PBT	BLACK UL94V-0	2	COPPER ALLOY	CONTACT AREA : GOLD 0.2μ m min. LEAD AREA: TIN-PLATING 2μ m min. UNDER PLATING : NICKEL 2.5μ m min.
NO.	MATERIAL	FINISH, REMARKS	NO.	MATERIAL	FINISH, REMARKS
CODE NO. (OLD) CL		DRAWN K.DOI 06.04.28	DESIGNED K. Sai '06.04.28	CHECKED K. Ogawa '06.04.28	APPROVED H. Okawa '06.04.28
DRAWING NO. EDC3-019375-21		PART NO. HIF3FB-50DA-2.54DSA(71)			RELEASED ..
SCALE 2 : 1		CODE NO. CL616-0209-9-71			1/1
UNITS mm		HRS HIROSE ELECTRIC CO., LTD			

TO