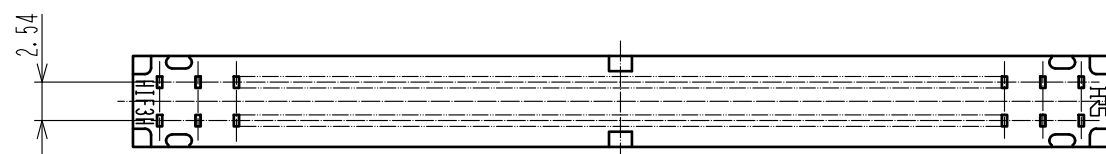
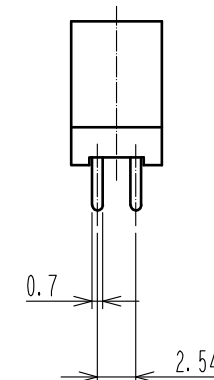
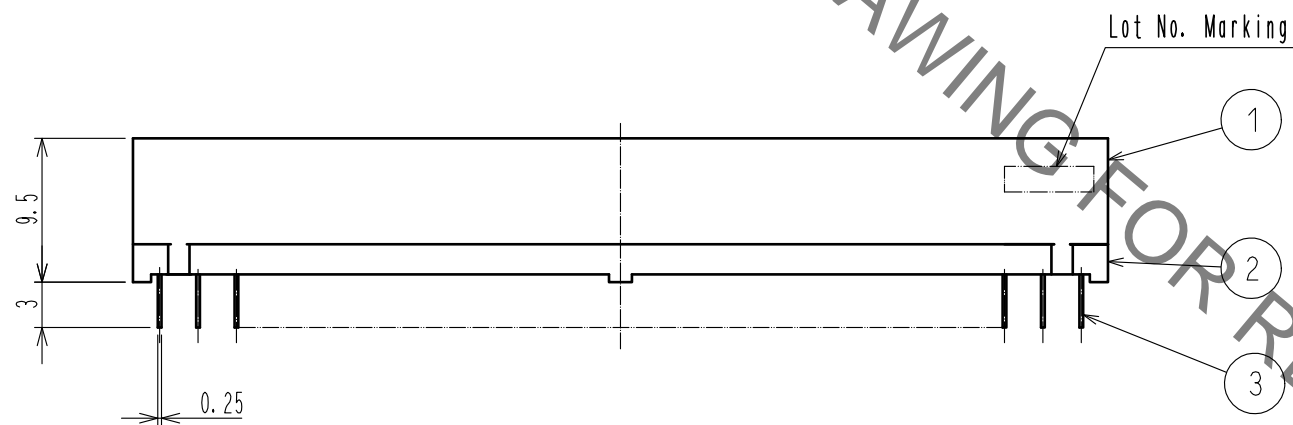
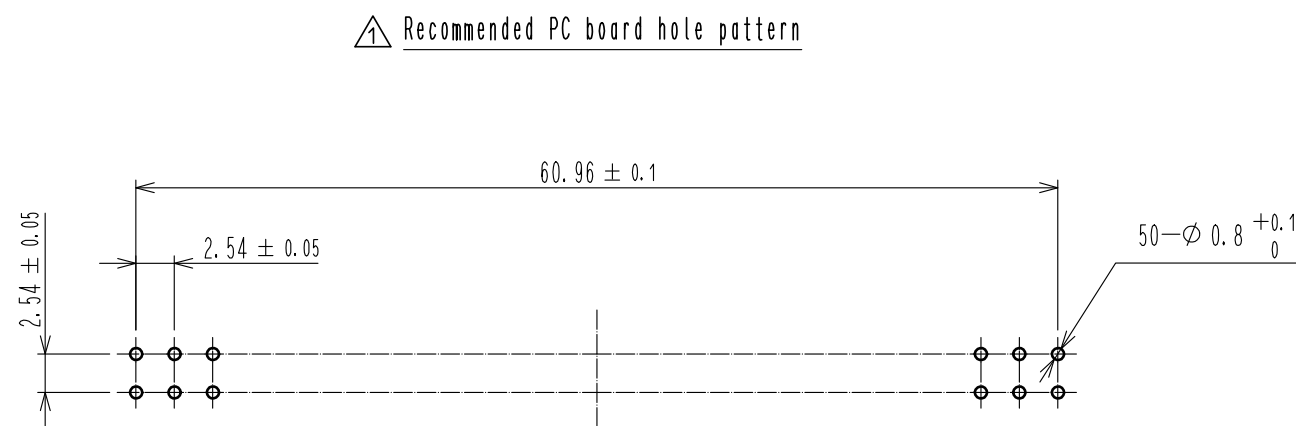
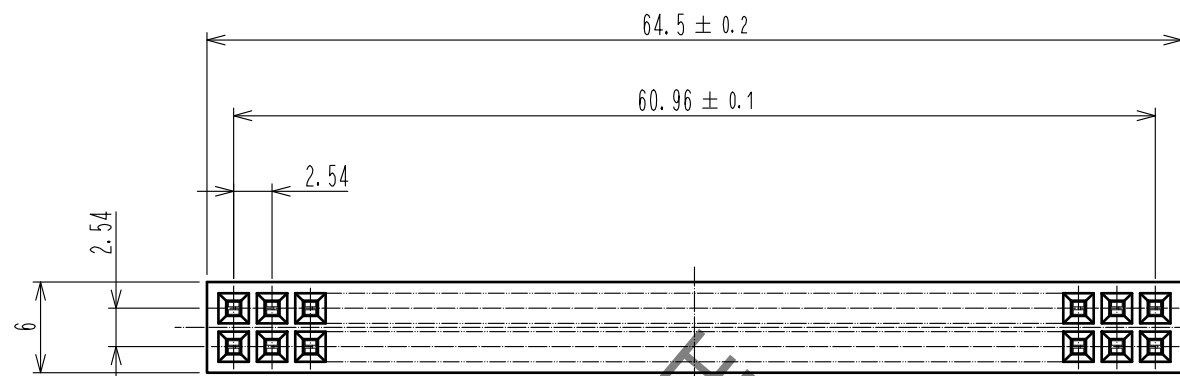


Aug.1.2021 Copyright 2021 HIROSE ELECTRIC CO., LTD. All Rights Reserved.
In case of consideration for using Automotive equipment / device which demand high reliability, kindly contact our sales window correspondents.



HRS DRAWING FOR REFERENCE

Notes 1 The position of Lot No. is optional.

1	PBT	BLACK	UL94V-0	3	Phosphor bronze	Nickel plating + Gold plating
2	PBT	BLACK	UL94V-0	2	PBT	BLACK
NO.	MATERIAL	FINISH	REMARKS	NO.	MATERIAL	FINISH
UNITS	mm	SCALE	2 : 1	COUNT	1	DESCRIPTION OF REVISIONS
			DESIGNED	TM. NAKAJIMA	CHECKED	HT. YAMAGUCHI
			DATE	18.09.11		
			APPROVED	HT. YAMAGUCHI	18.06.25	DRAWING NO.
			CHECKED	HT. YAMAGUCHI	18.06.25	EDC-016835-00-00
			DESIGNED	MT. ITANO	18.06.25	PART NO.
			DRAWN	MK. OOKI	18.06.21	HIF3H-50D-2.54DSA
			CODE NO.	CL618-0008-0-00		