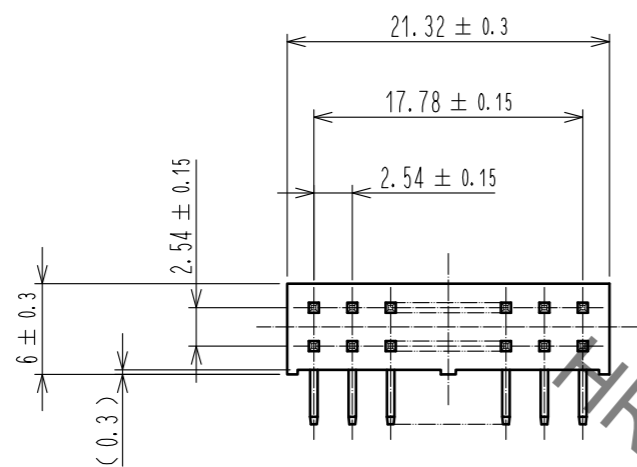
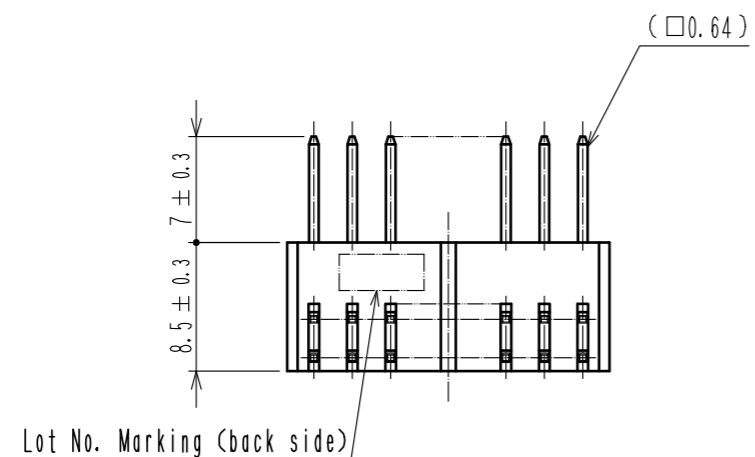
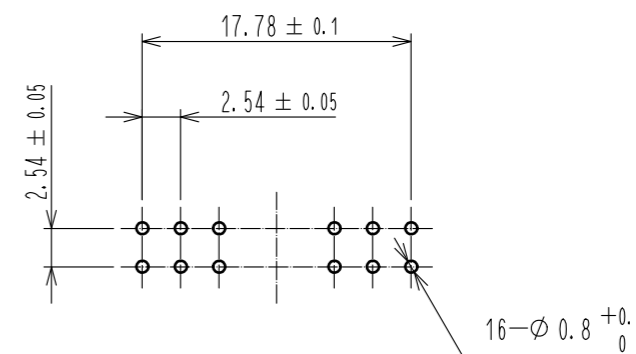


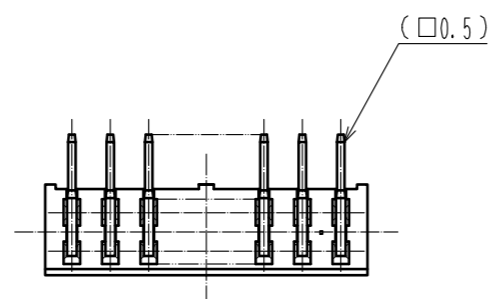
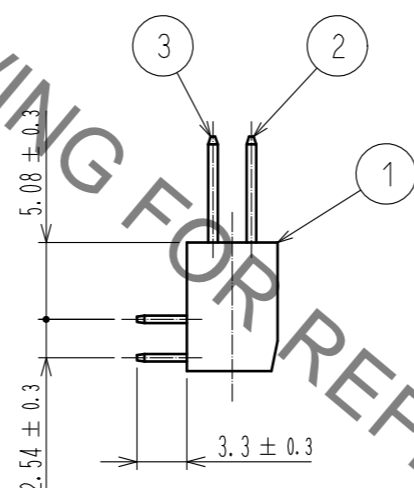
Jun.1.2021 Copyright 2021 HIROSE ELECTRIC CO., LTD. All Rights Reserved.
 In case of consideration for using Automotive equipment / device which demand high reliability, kindly contact our sales window correspondents.



Recommended PC board hole pattern



Lot No. Marking (back side)



Notes 1. The dimensions in parentheses are for reference.

2. UL(File No. E52653)

Delete note



1	PBT	BLACK	UL94V-0	3	BRASS	Contact area : Gold 0.2μm min Dip area : TIN-Plating 2μm min Under plating : Nickel 2.5μm min
2	BRASS			2	BRASS	Contact area : Gold 0.2μm min Dip area : TIN-Plating 2μm min Under plating : Nickel 2.5μm min

NO.	MATERIAL	FINISH	REMARKS	NO.	MATERIAL	FINISH	REMARKS
1	PBT	BLACK	UL94V-0	3	BRASS	Contact area : Gold 0.2μm min Dip area : TIN-Plating 2μm min Under plating : Nickel 2.5μm min	
2	BRASS			2	BRASS	Contact area : Gold 0.2μm min Dip area : TIN-Plating 2μm min Under plating : Nickel 2.5μm min	

UNITS		SCALE	COUNT	DESCRIPTION OF REVISIONS	DESIGNED	CHECKED	DATE
mm		2 : 1			2	DIS-F-00005701	AK. IWAHORI
		APPROVED	HT. YAMAGUCHI	20181210	DRAWING NO. EDC-017696-61-00		
HIROSE ELECTRIC CO., LTD.		CHECKED	HT. YAMAGUCHI	20181210	PART NO. HIF3H-16PA-2.54DS(61)		
		DESIGNED	TS. OONO	20181207	CODE NO. CL618-0065-3-61		
		DRAWN	MK. OOKI	20181207			