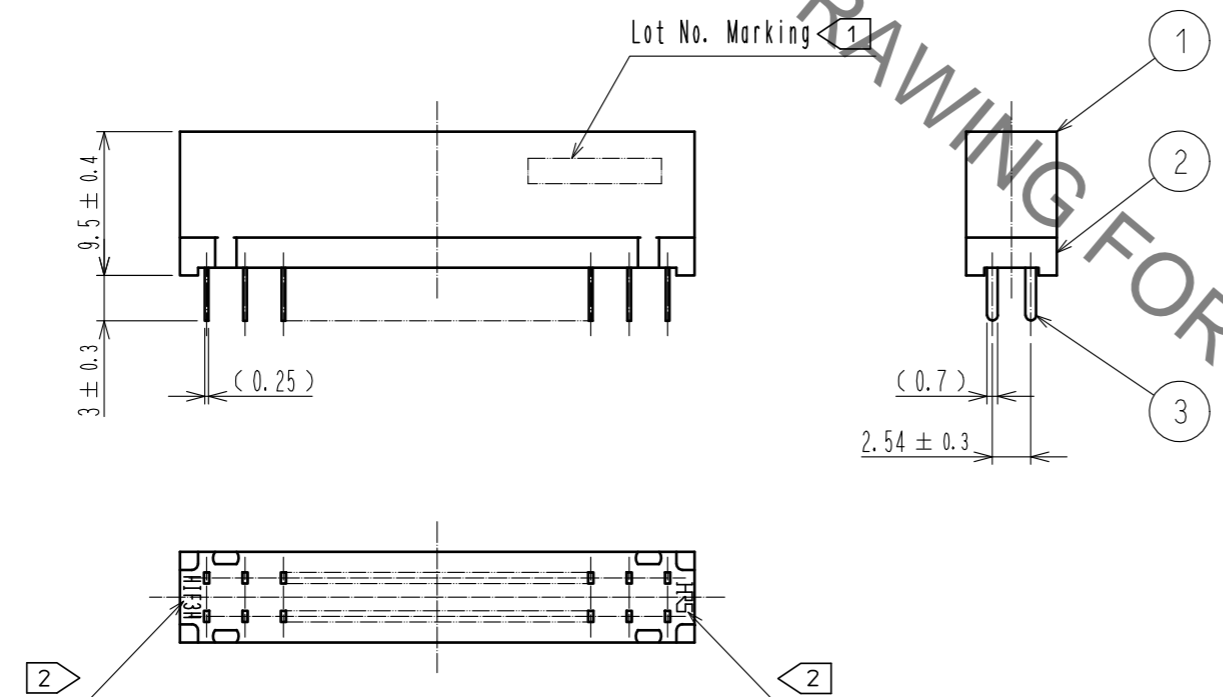
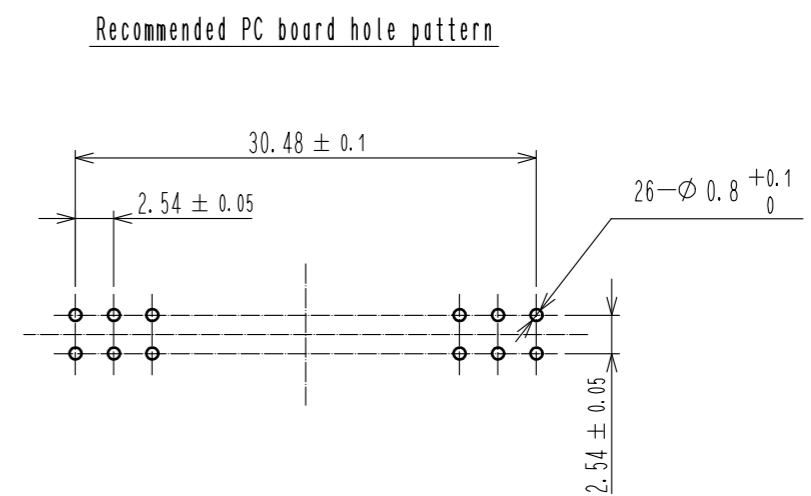
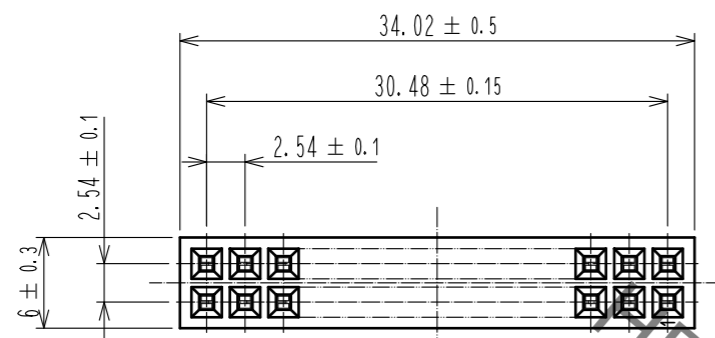


Jan.1.2022 Copyright 2022 HIROSE ELECTRIC CO., LTD. All Rights Reserved.
 In case of consideration for using Automotive equipment / device which demand high reliability, kindly contact our sales window correspondents.



- Notes
- 1 Lot No. Marking position is optional.
 - 2 The position and orientation of HRS mark and Product name are optional.
 - 3 The contact cut section is unplated.
 - 4 The dimensions in parentheses are for reference.
 - 5 UL(File No. E52653) authorization article.



2	PBT	BLACK	UL94V-0	3	Phosphor bronze	Contact area : Gold 0.2μm min		
1	PBT	BLACK	UL94V-0			Dip area : TIN-Plating 1μm min		
						Under plating : Nickel 1μm min		
NO.	MATERIAL	FINISH	REMARKS	NO.	MATERIAL	FINISH . REMARKS		
UNITS		SCALE	COUNT	DESCRIPTION OF REVISIONS		DESIGNED	CHECKED	DATE
mm		2 : 1	1	DIS-F-00005933		AK. IWAHORI	HT. YAMAGUCHI	20200310
HRS HIROSE ELECTRIC CO., LTD.		APPROVED : HT. YAMAGUCHI	20181210	DRAWING NO.		EDC-017987-61-00		
		CHECKED : HT. YAMAGUCHI	20181210	PART NO.		HIF3H-26DA-2.54DSA(61)		
		DESIGNED : HR. NAGAYASU	20181207	CODE NO.		CL618-0105-6-61		
		DRAWN : TS. HORI	20181207			1/1		