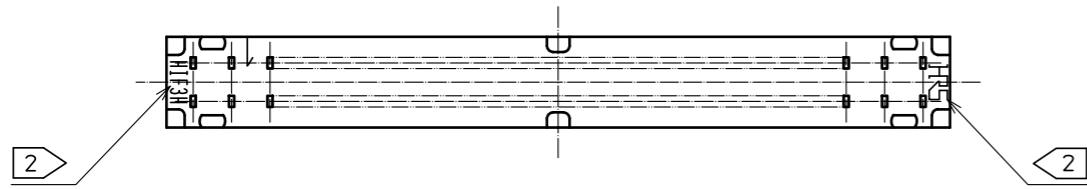
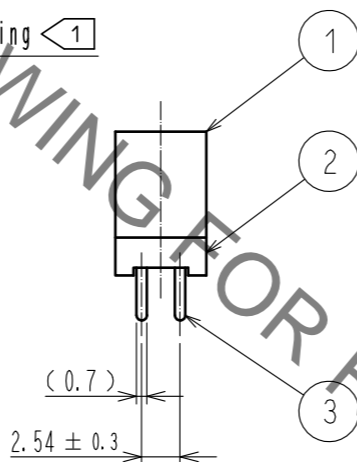
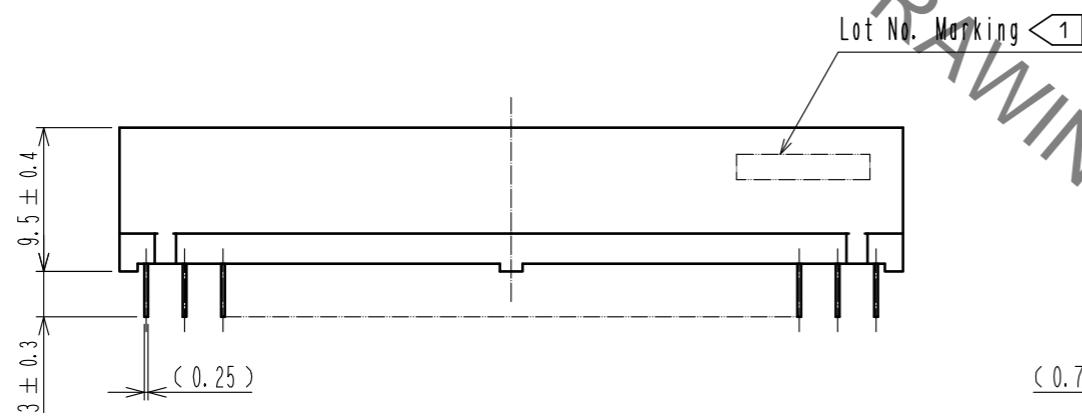
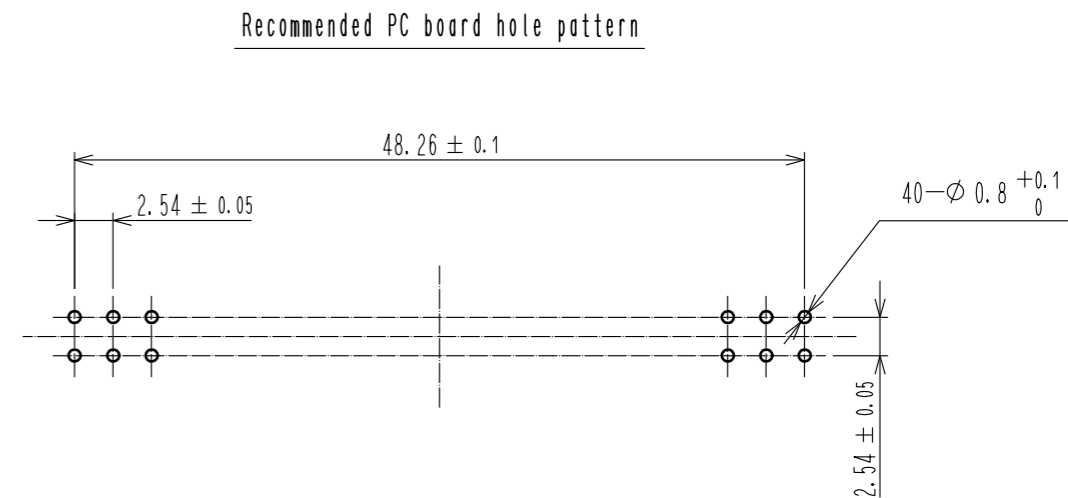
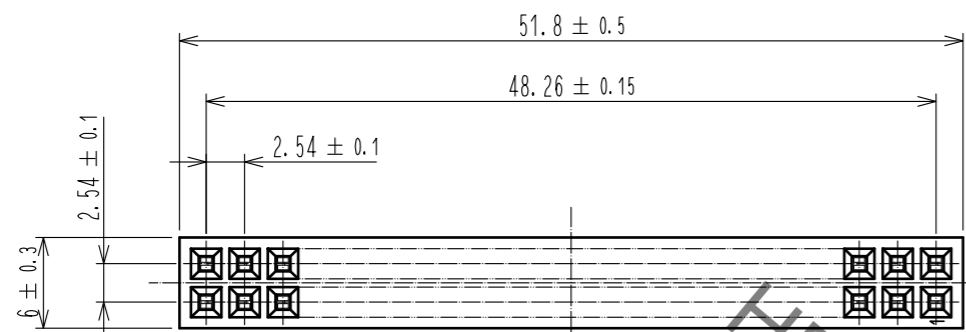


Jan.1.2022 Copyright 2022 HIROSE ELECTRIC CO., LTD. All Rights Reserved.
In case of consideration for using Automotive equipment / device which demand high reliability, kindly contact our sales window correspondents.



- Notes
- <1> Lot No. Marking position is optional.
 - <2> The position and orientation of HRS mark and Product name are optional.
 - 3 The contact cut section is unplated.
 - <1> 4 The dimensions in parentheses are for reference.



2	PBT	BLACK	UL94V-0	3	Phosphor bronze	Contact area : Gold 0.2μm min
1	PBT	BLACK	UL94V-0			Dip area : TIN-Plating 1μm min
						Under plating : Nickel 1μm min
NO.	MATERIAL	FINISH . REMARKS		NO.	MATERIAL	FINISH . REMARKS
UNITS	⊙	SCALE	COUNT	DESCRIPTION OF REVISIONS		DESIGNED
mm		2 : 1	1	DIS-F-00005933		AK. IWAHORI
APPROVED : HT. YAMAGUCHI		20181210		DRAWING NO. EDC-017990-61-00		
CHECKED : HT. YAMAGUCHI		20181210		PART NO. HIF3H-40DA-2.54DSA(61)		
DESIGNED : HR. NAGAYASU		20181207		CODE NO. CL618-0108-4-61		
DRAWN : TS. HORI		20181207				