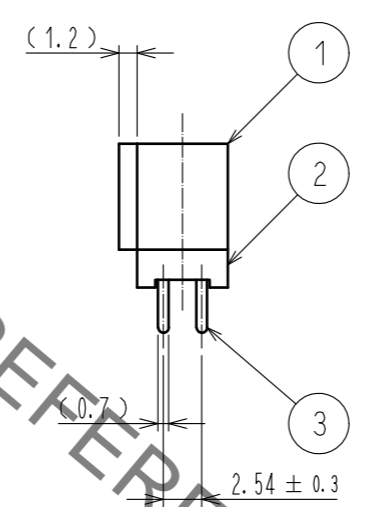
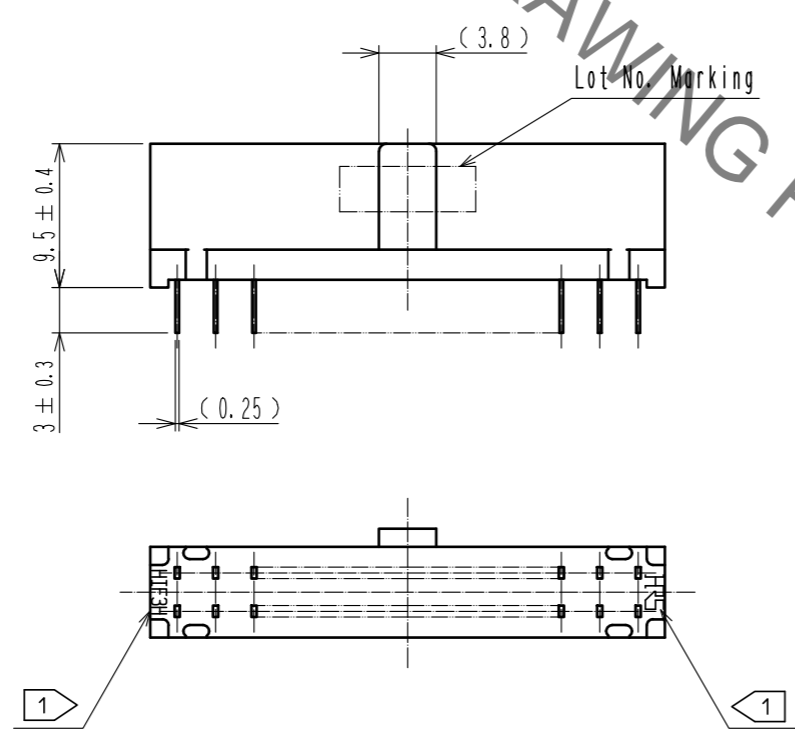
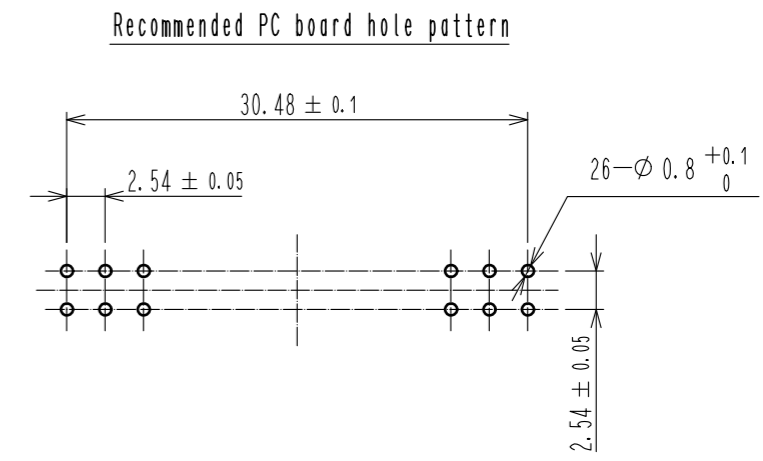
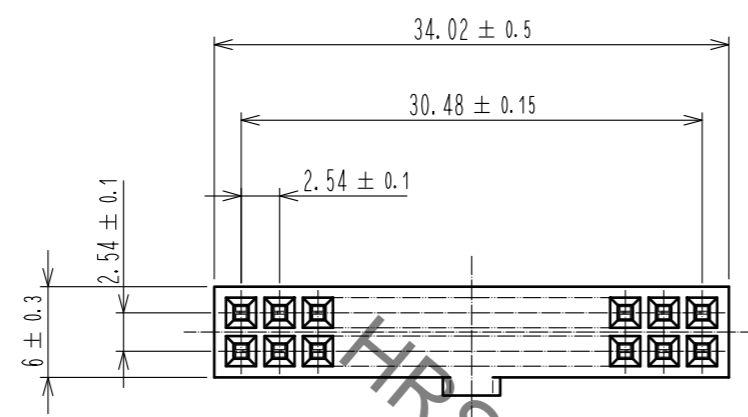


Jan.1.2022 Copyright 2022 HIROSE ELECTRIC CO., LTD. All Rights Reserved.
In case of consideration for using Automotive equipment / device which demand high reliability, kindly contact our sales window correspondents.



- Notes
- 1 The position and orientation of HRS mark and Product name are optional.
 - 2 The contact cut section is unplated.
 - 3 The dimensions in parentheses are for reference.
 - 4 UL(File No. E52653) authorization article.



2	PBT	BLACK	UL94V-0	3	PHOSPHOR BRONZE	Contact area : Gold 0.2μm min
1	PBT	BLACK	UL94V-0			Dip area : TIN-Plating 1μm min
						Under plating : Nickel 1μm min
NO.	MATERIAL	FINISH	REMARKS	NO.	MATERIAL	FINISH . REMARKS
UNITS	mm	SCALE	2 : 1	COUNT	1	DESCRIPTION OF REVISIONS
						DESIGNED
						CHECKED
						DATE
						AK. IWAHORI
						HT. YAMAGUCHI
						20200310
HRS		HIROSE ELECTRIC CO., LTD.		APPROVED	: HT. YAMAGUCHI	20181210
				CHECKED	: HT. YAMAGUCHI	20181210
				DESIGNED	: HR. NAGAYASU	20181207
				DRAWN	: TS. HORI	20181207
				DRAWING NO.	EDC-018022-61-00	
				PART NO.	HIF3HA-26DA-2.54DSA(61)	
				CODE NO.	CL618-0125-3-61	
						1/1