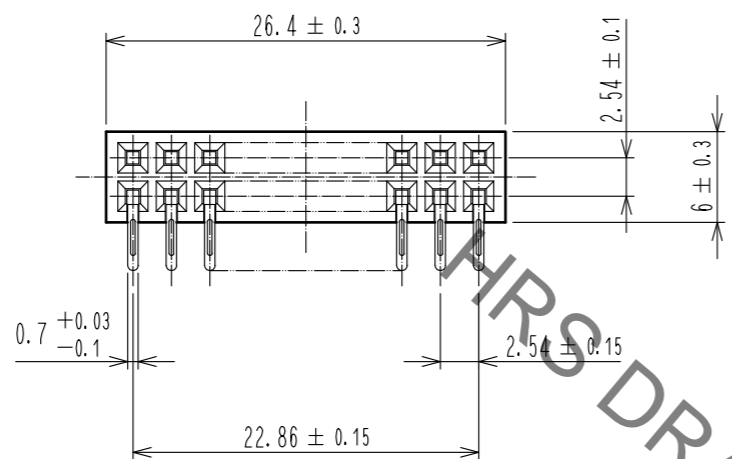
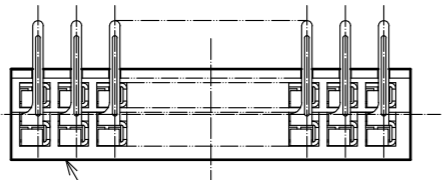
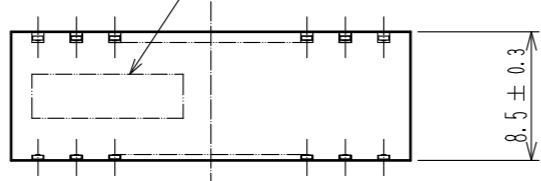


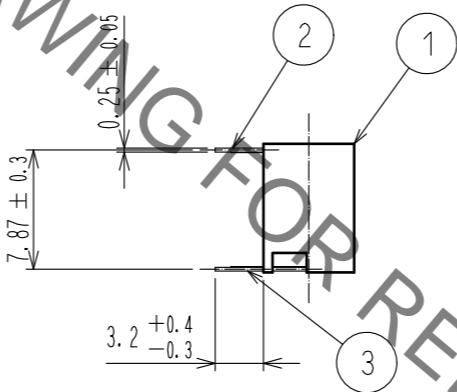
Aug.1.2021 Copyright 2021 HIROSE ELECTRIC CO., LTD. All Rights Reserved.
In case of consideration for using Automotive equipment / device which demand high reliability, kindly contact our sales window correspondents.



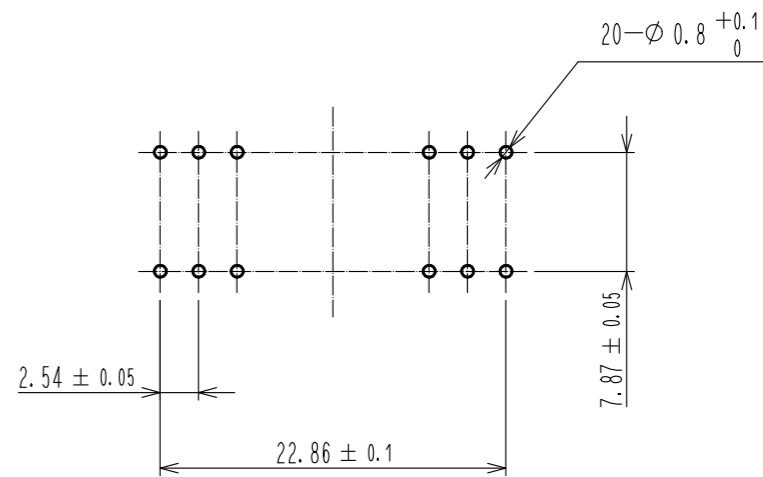
Lot No. Marking (Back side)



Lot No.



Recommended PC board hole pattern



HRS DRAWING FOR REFERENCE

Notes 1 The contact cut section is unplated.
2 UL(File No.E52653) authorization article.



2	Phosphor bronze	Contact area : Gold 0.2μm min		3	Phosphor bronze	Contact area : Gold 0.2μm min		
		Dip area : TIN-Plating 1μm min				Dip area : TIN-Plating 1μm min		
		Under plating : Nickel 1μm min				Under plating : Nickel 1μm min		
1	PBT	BLACK	UL94V-0					
NO.	MATERIAL	FINISH	REMARKS	NO.	MATERIAL	FINISH	REMARKS	
UNITS mm		SCALE 2 : 1	COUNT 1	DESCRIPTION OF REVISIONS DIS-F-00005935		DESIGNED AK. IWAHORI	CHECKED HT. YAMAGUCHI	DATE 20200310
HRS HIROSE ELECTRIC CO., LTD.		APPROVED : HT. YAMAGUCHI	20181210	DRAWING NO.		EDC-018033-61-00		
		CHECKED : HT. YAMAGUCHI	20181210	PART NO.		HIF3H-20DB-2.54DS(61)		
		DESIGNED : TS. OONO	20181207	CODE NO.		CL618-0143-5-61		
		DRAWN : MK. OOKI	20181207					