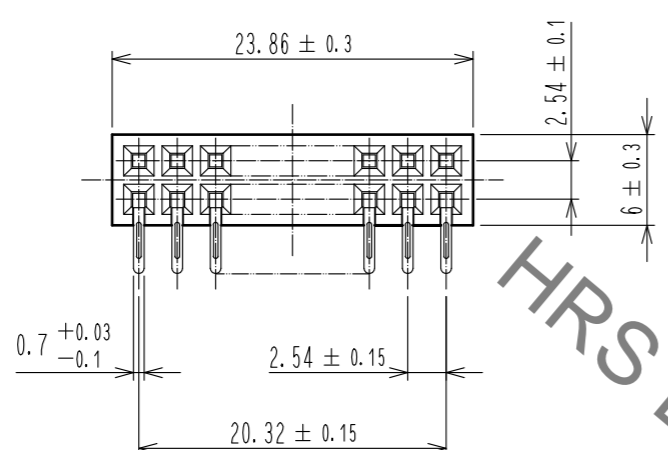
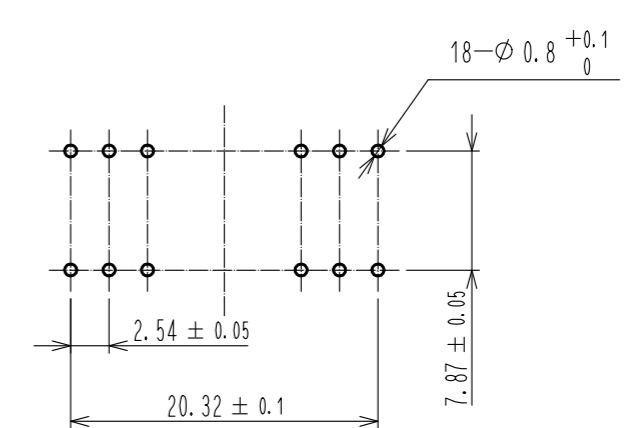


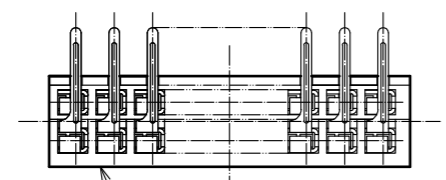
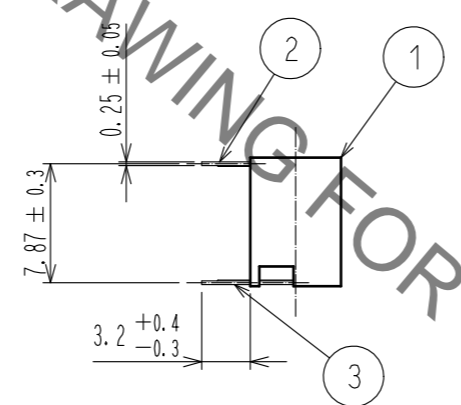
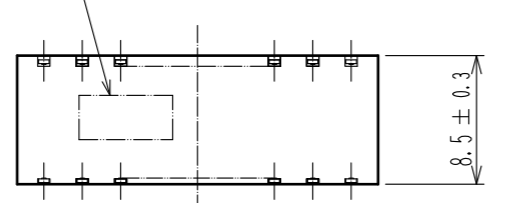
Jun.1.2021 Copyright 2021 HIROSE ELECTRIC CO., LTD. All Rights Reserved.
 In case of consideration for using Automotive equipment / device which demand high reliability, kindly contact our sales window correspondents.



Recommended PC board hole pattern



Lot No. Marking (Back side)



HRS DRAWING FOR REFERENCE

- Notes 1 The contact cut section is unplated.
 2 UL(File No. E52653) authorization article.



2	Phosphor bronze	Contact area : Gold 0.2μm	3	Phosphor bronze	Contact area : Gold 0.2μm
		Dip area : TIN-Plating 1μm min			Dip area : TIN-Plating 1μm min
		Under plating : Nickel 1μm min			Under plating : Nickel 1μm min
1	PBT	BLACK UL94V-0			
NO.	MATERIAL	FINISH . REMARKS	NO.	MATERIAL	FINISH . REMARKS
UNITS mm		SCALE 2 : 1	COUNT 1	DESCRIPTION OF REVISIONS DIS-F-00005935	
		APPROVED : HT. YAMAGUCHI 20181210	DESIGNED AK. IWAHORI		DATE 20200310
HIROSE ELECTRIC CO., LTD.		CHECKED : HT. YAMAGUCHI 20181210	DRAWING NO. EDC-019463-61-00		
		DESIGNED : TS. OONO 20181207	PART NO. HIF3H-18DB-2.54DS(61)		
		DRAWN : MK. OOKI 20181207	CODE NO. CL618-0165-8-61		