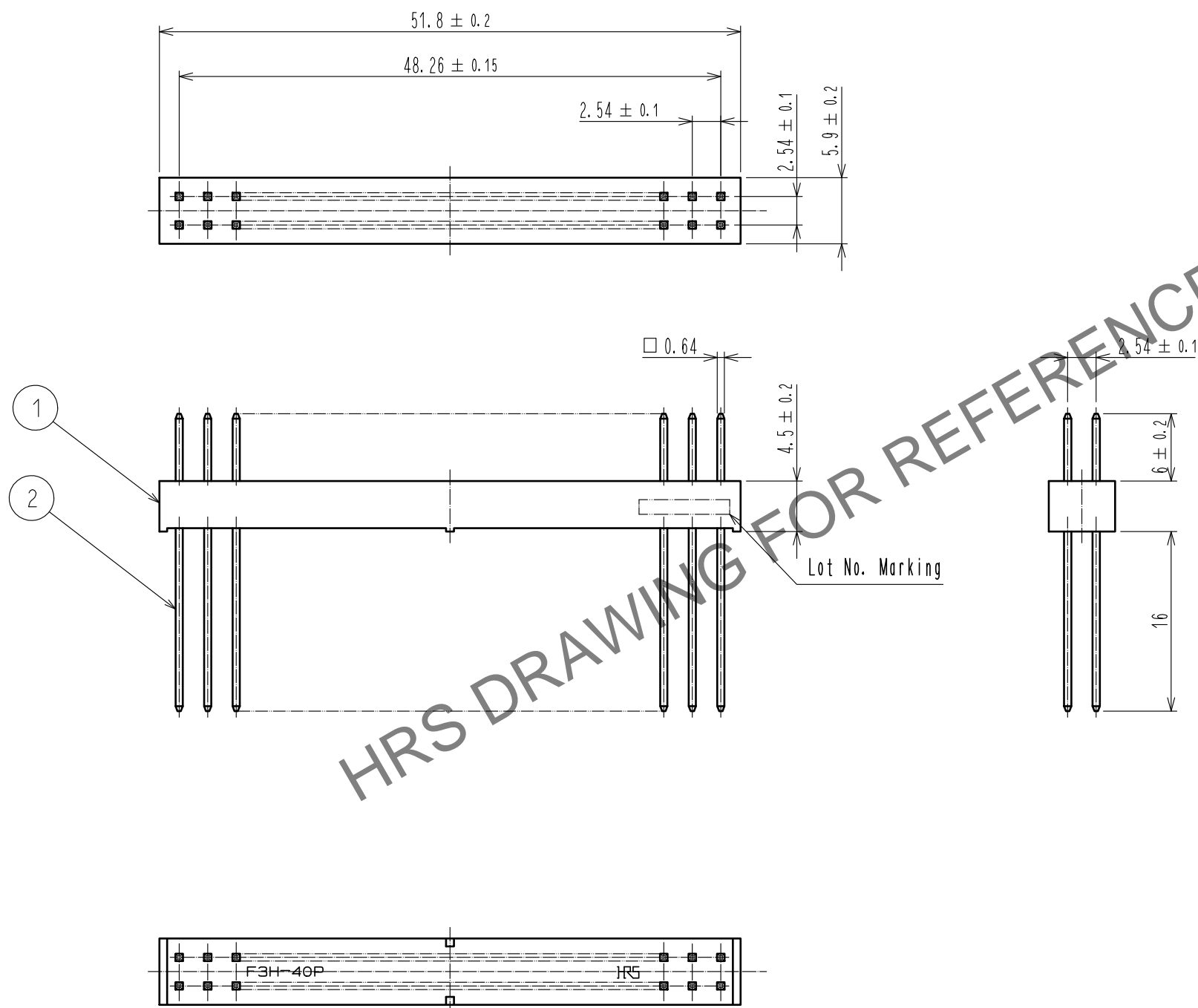


Jul.1.2024 Copyright 2024 HIROSE ELECTRIC CO., LTD. All Rights Reserved.  
 In case of consideration for using Automotive equipment / device which demand high reliability, kindly contact our sales window correspondents.



HRS DRAWING FOR REFERENCE

1	PBT	BLACK	UL94V-0	2	Phosphor bronze	Over plated : Gold Under plated : Nickel
NO.	MATERIAL	FINISH . REMARKS		NO.	MATERIAL	FINISH . REMARKS
UNITS mm		SCALE 2 : 1		DESCRIPTION OF REVISIONS		DESIGNED
		APPROVED : HT. YAMAGUCHI	18.06.25	DRAWING NO.		EDC-018051-00-00
HIROSE ELECTRIC CO., LTD.		CHECKED : HT. YAMAGUCHI	18.06.25	PART NO.		HIF3H-40P-2.54W
		DESIGNED : MT. ITANO	18.06.25	CODE NO.		CL618-0182-7-00
		DRAWN : MK. OOKI	18.06.21			1/1