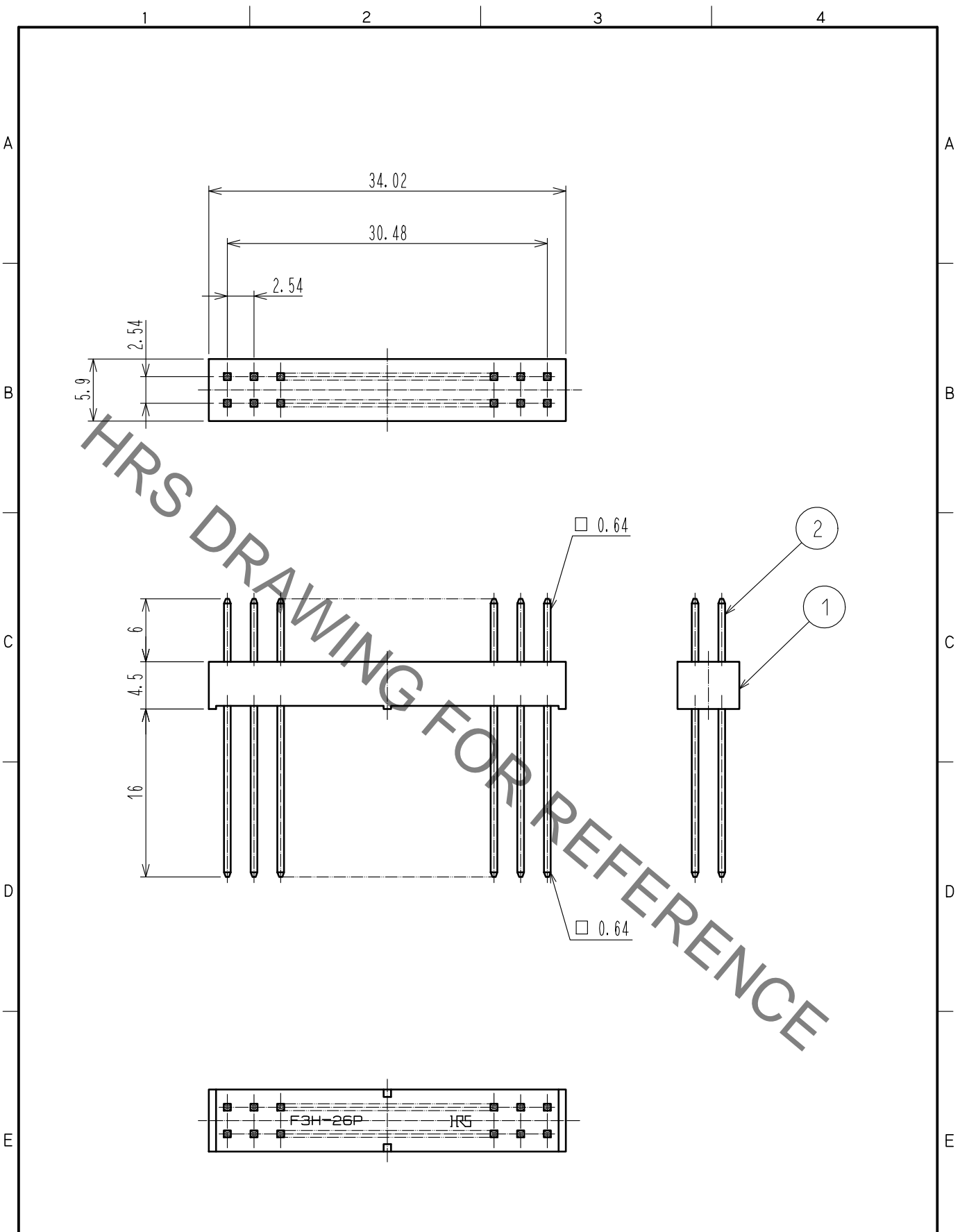


Aug.1.2021 Copyright 2021 HIROSE ELECTRIC CO., LTD. All Rights Reserved.  
 In case of consideration for using Automotive equipment / device which demand high reliability, kindly contact our sales window correspondents.



1	PBT	BLACK UL94V-0	2	Phosphor bronze	Over plated : Gold Under plated : Nickel		
NO.	MATERIAL	FINISH . REMARKS	NO.	MATERIAL	FINISH . REMARKS		
UNITS mm		SCALE 2 : 1	COUNT 	DESCRIPTION OF REVISIONS	DESIGNED	CHECKED	DATE
HIROSE ELECTRIC CO., LTD.	APPROVED	: HT. YAMAGUCHI	18.06.25	DRAWING NO.	EDC-018386-00-00		
	CHECKED	: HT. YAMAGUCHI	18.06.25	PART NO.	HIF3H-26P-2.54W		
	DESIGNED	: MT. ITANO	18.06.25	CODE NO.	CL618-0184-2-00		
	DRAWN	: MK. OOKI	18.06.21		1/1		