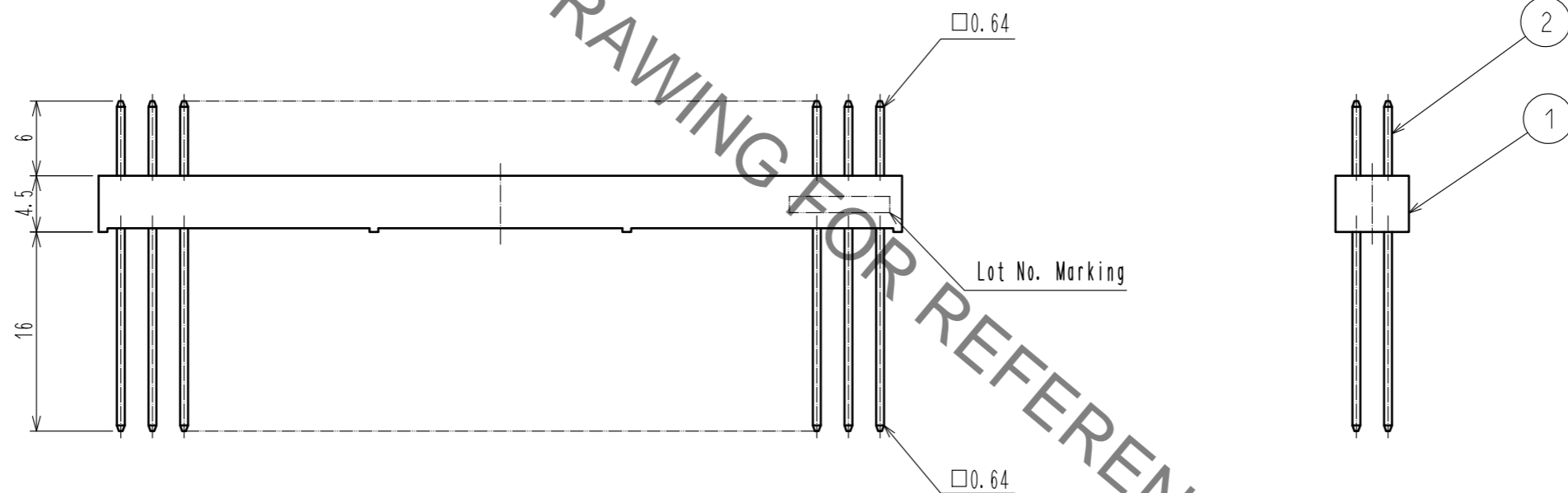
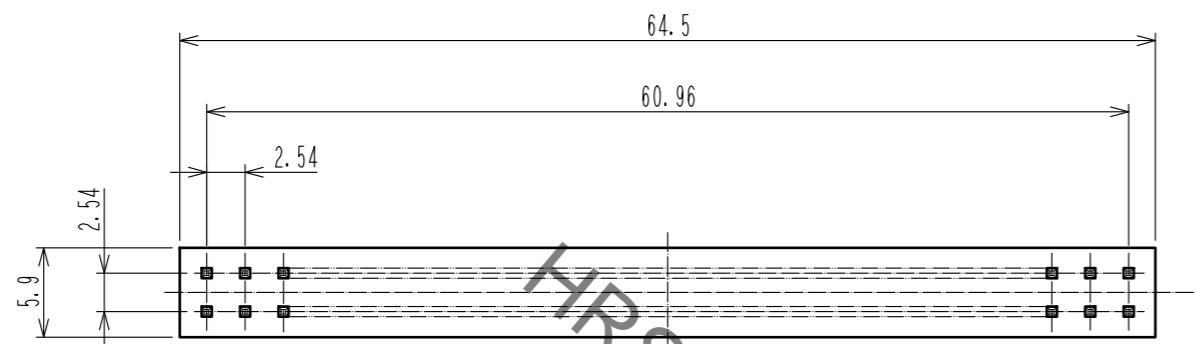


Aug.1.2021 Copyright 2021 HIROSE ELECTRIC CO., LTD. All Rights Reserved.  
 In case of consideration for using Automotive equipment / device which demand high reliability, kindly contact our sales window correspondents.



1	PBT	BLACK	UL94V-0	2	Phosphor bronze	Over plated : Gold
NO.	MATERIAL	FINISH	REMARKS	NO.	MATERIAL	Under Plated : Nickel
UNITS		SCALE	COUNT	DESCRIPTION OF REVISIONS		DESIGNED
mm		2 : 1	△		CHECKED	DATE
HIROSE ELECTRIC CO., LTD.		APPROVED	: HT. YAMAGUCHI	18.06.25	DRAWING NO. EDC-021372-00-00	
		CHECKED	: HT. YAMAGUCHI	18.06.25	PART NO. HIF3H-50P-2.54W	
		DESIGNED	: MT. ITANO	18.06.25	CODE NO. CL618-0188-3-00	
		DRAWN	: MK. OOKI	18.06.21	1/1	