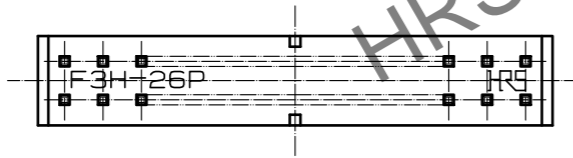
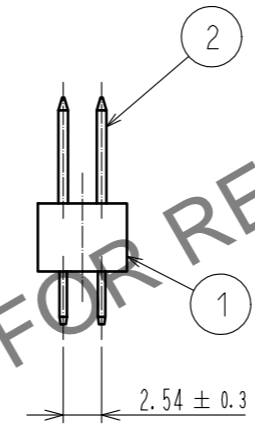
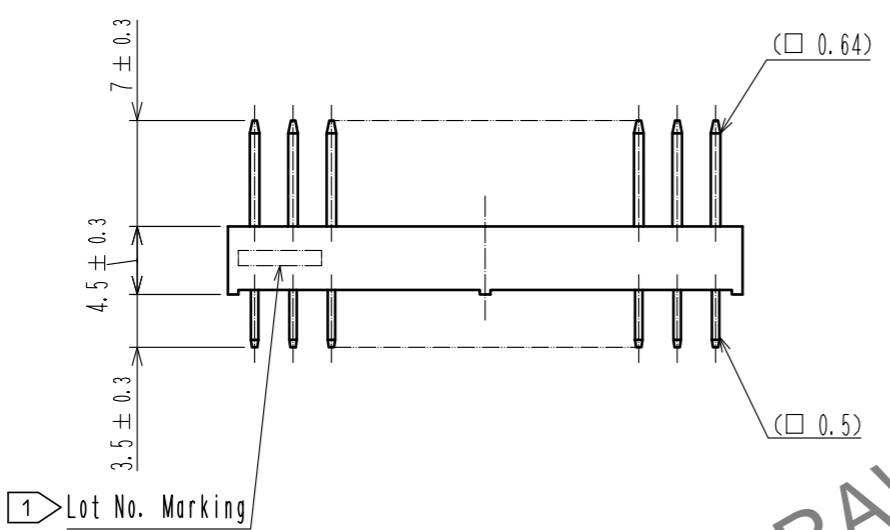
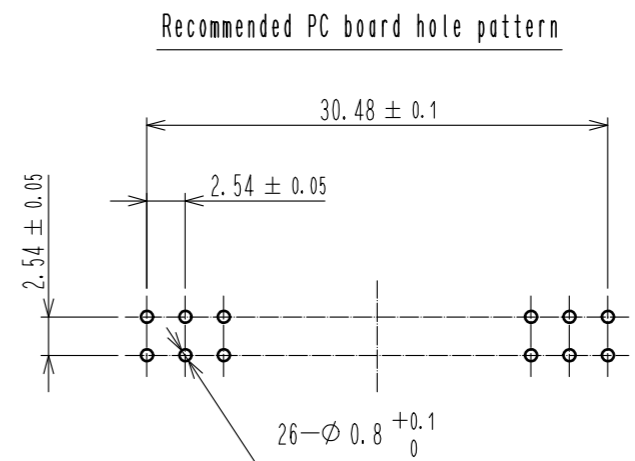
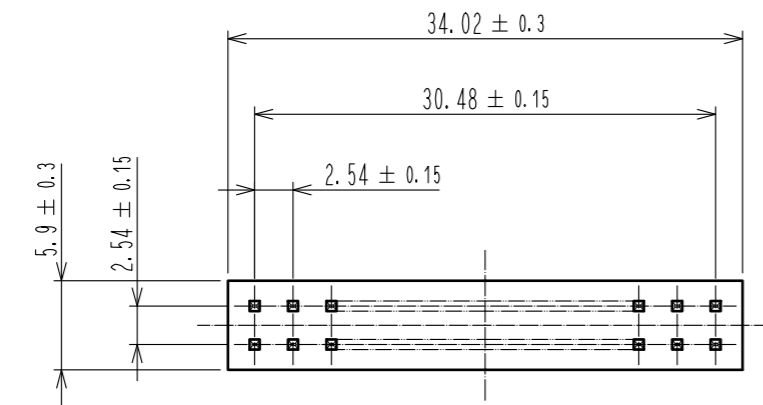


Jul.1.2024 Copyright 2024 HIROSE ELECTRIC CO., LTD. All Rights Reserved.
 In case of consideration for using Automotive equipment / device which demand high reliability, kindly contact our sales window correspondents.



HRS DRAWING FOR REFERENCE

- Notes
- 1 The position of Lot No. is optional.
 - 2 The dimensions in parentheses are for reference.
 - 3 UL(File No.E52653) authorization article.



1		PBT	BLACK	UL94V-0	2		BRASS	Contact area : Gold 0.2μm min
NO.		MATERIAL	FINISH	REMARKS	NO.		MATERIAL	Dip area : TIN-Plating 2μm min
								Under plating : Nickel 2.5μm min
UNITS		SCALE	COUNT	DESCRIPTION OF REVISIONS	DESIGNED	CHECKED	DATE	
mm		2 : 1	1	DIS-F-00005935	AK. IWAHORI	HT. YAMAGUCHI	20200310	
HRS HIROSE ELECTRIC CO., LTD.		APPROVED	HT. YAMAGUCHI	20181210	DRAWING NO. EDC-018084-61-00			
		CHECKED	HT. YAMAGUCHI	20181210	PART NO. HIF3H-26PB-2.54DSA(61)			
		DESIGNED	HR. NAGAYASU	20181207	CODE NO. CL618-0206-3-61			
		DRAWN	TS. HORI	20181207	1/1			