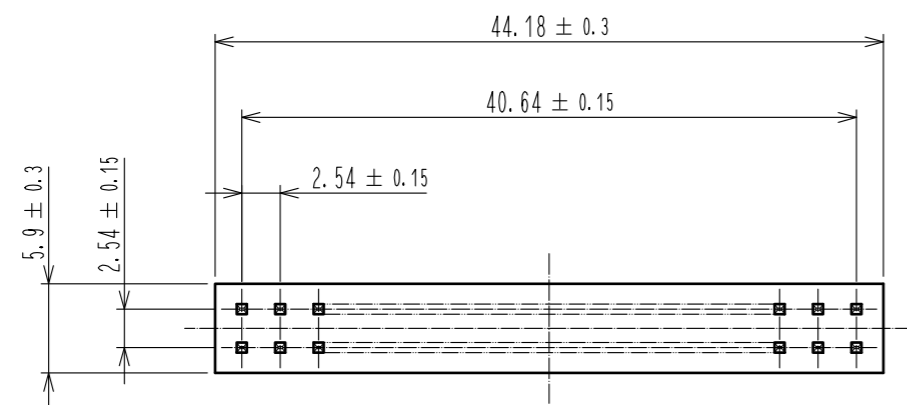
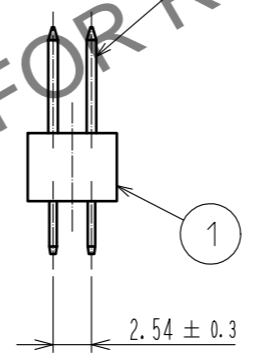
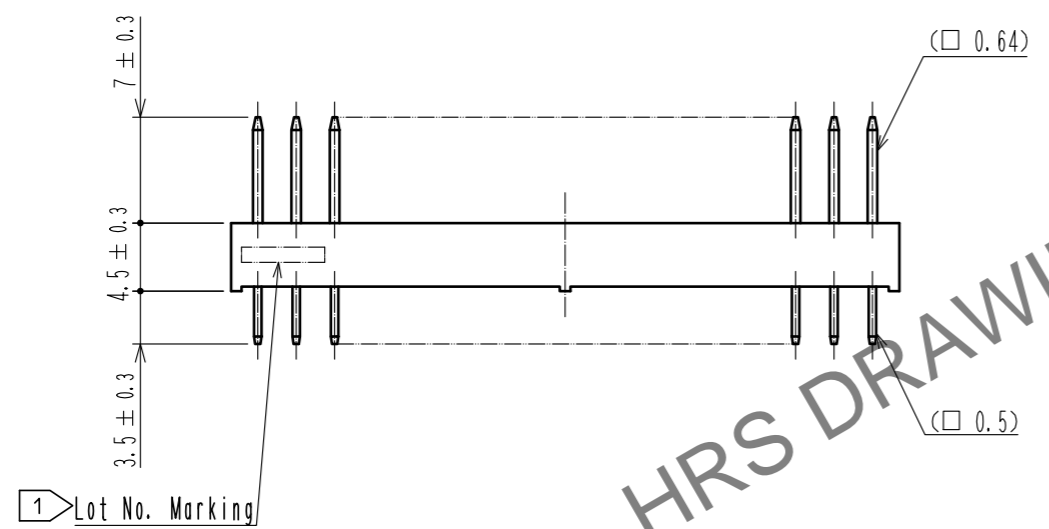
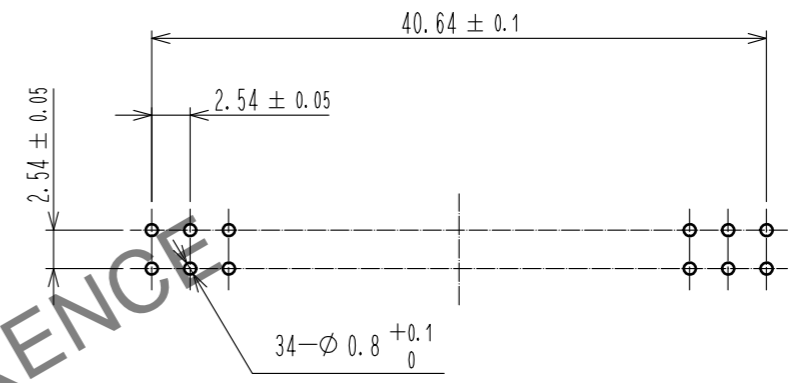


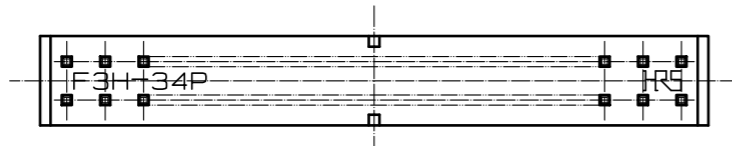
Jul.1.2024 Copyright 2024 HIROSE ELECTRIC CO., LTD. All Rights Reserved.  
 In case of consideration for using Automotive equipment / device which demand high reliability, kindly contact our sales window correspondents.



Recommended PC board hole pattern



1 Lot No. Marking



HRS DRAWING FOR REFERENCE

- Notes
- 1 The position of Lot No. is optional.
  - 2 The dimensions in parentheses are for reference.
  - 3 UL(File No. E52653) authorization article.



1		PBT	BLACK	UL94V-0	2		BRASS	Contact area : Gold 0.2μm min
NO.		MATERIAL	FINISH . REMARKS		NO.		MATERIAL	Dip area : TIN-Plating 2μm min
								Under plating : Nickel 2.5μm min
UNITS	mm	SCALE	2 : 1	COUNT	1	DESCRIPTION OF REVISIONS	DESIGNED	CHECKED
						DIS-F-00005935	AK. IWAHORI	HT. YAMAGUCHI
								DATE
								20200310
APPROVED		: HT. YAMAGUCHI		20181210		DRAWING NO.		
CHECKED		: HT. YAMAGUCHI		20181210		EDC-018086-61-00		
DESIGNED		: HR. NAGAYASU		20181207		PART NO.		
DRAWN		: TS. HORI		20181207		HIF3H-34PB-2.54DSA(61)		
						CODE NO.		CL618-0208-9-61
								1/1