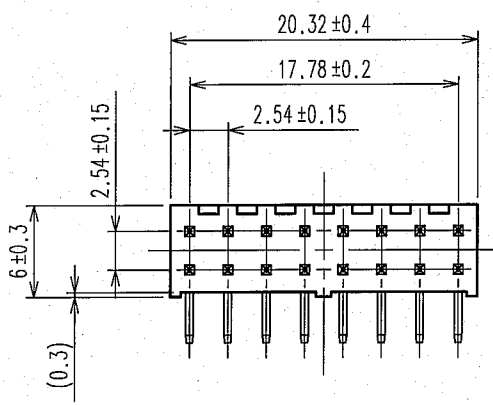
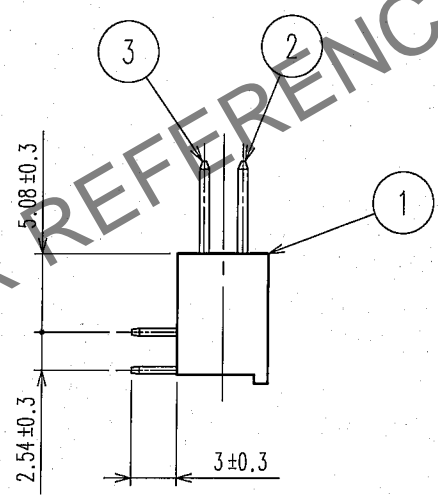
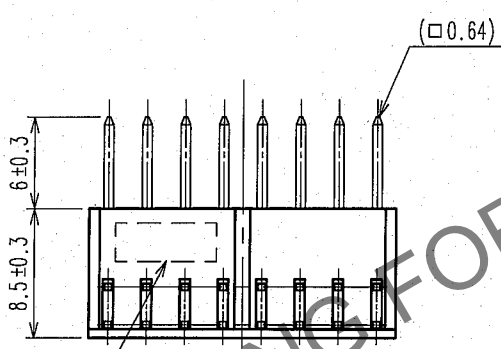
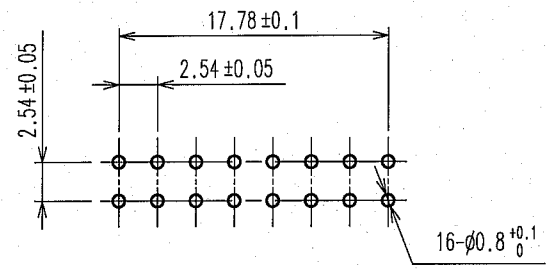


In case of consideration for using Automotive equipment / device which demand high reliability, kindly contact our sales window correspondents.
 May.1.2024 Copyright 2024 HIROSE ELECTRIC CO., LTD. All Rights Reserved.

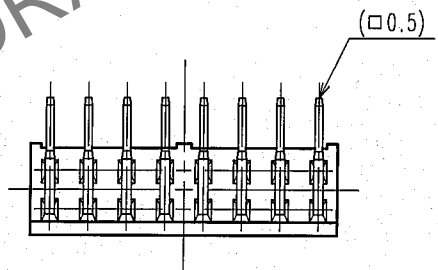
1		2			3			4		
COUNT	DESCRIPTION OF REVISIONS	BY	CHKD	DATE	COUNT	DESCRIPTION OF REVISIONS	BY	CHKD	DATE	
△					△					
△					△					
△					△					



RECOMMENDED PC BOARD HOLE PATTERN



POLARIZATION MARK
(REVERSE SIDE)



NOTE 1. THE DIMENSIONS IN PARENTHESES ARE FOR REFERENCE.

1	PBT	BLACK UL94V-0	2, 3	BRASS	CONTACT AREA : GOLD 0.2μ m min. DIP AREA : TIN-PLATING 2μ m min. UNDER PLATING : NICKEL 2.5μ m min.
NO.	MATERIAL	FINISH, REMARKS	NO.	MATERIAL	FINISH, REMARKS

CODE NO. (OLD) CL	DRAWN K.NAKAMURA 07.02.01	DESIGNED K.NAKAMURA 07.02.01	CHECKED C. Ogawa 07.02.01	APPROVED H. Okawa 07.02.01	RELEASED
----------------------	---------------------------------	------------------------------------	---------------------------------	----------------------------------	----------

 SCALE 2 : 1 UNITS mm	DRAWING NO. EDC4-018132-21 HIROSE ELECTRIC CO., LTD.	PART NO. A1-16PA-2.54DS(71) CODE NO. CL619-0005-8-71	1 1
-----------------------------------	--	---	--------

TO