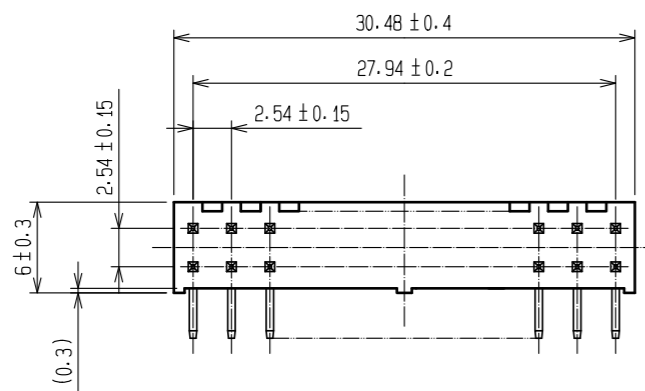
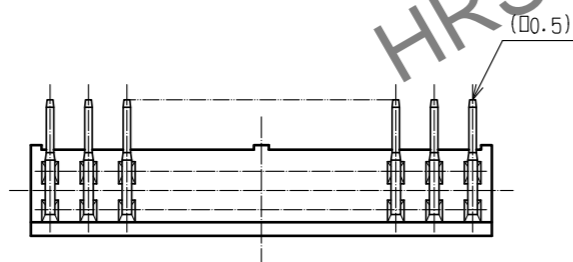
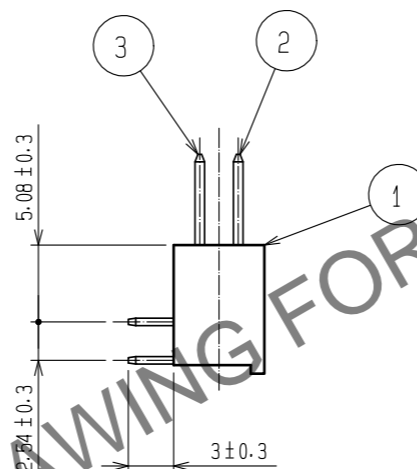
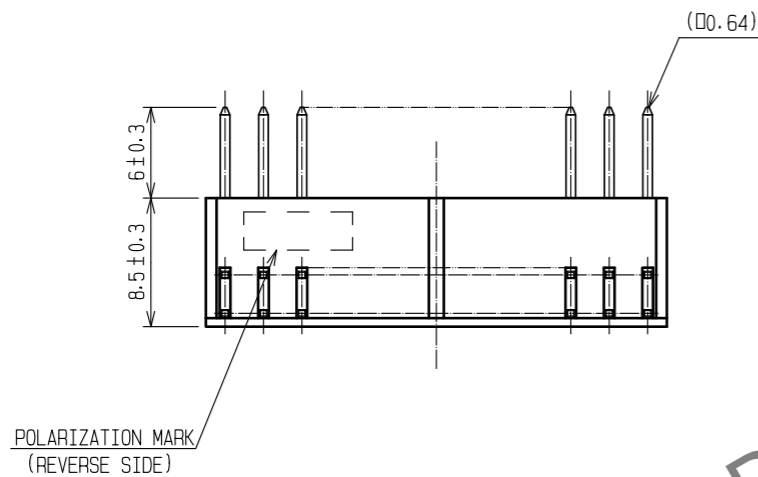
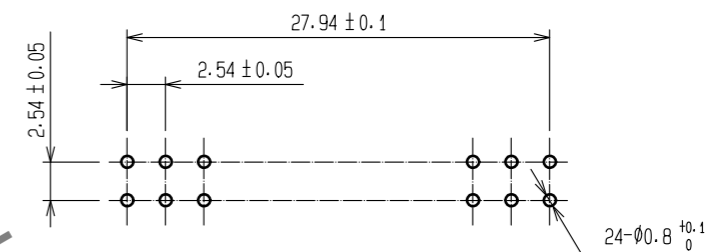


May.1.2024 Copyright 2024 HIROSE ELECTRIC CO., LTD. All Rights Reserved.
In case of consideration for using Automotive equipment / device which demand high reliability, kindly contact our sales window correspondents.



RECOMMENDED PC BOARD HOLE PATTERN



HRS DRAWING FOR REFERENCE

NOTE 1. THE DIMENSIONS IN PARENTHESES ARE FOR REFERENCE.

1	PBT	BLACK \triangle	2.3	BRASS	CONTACT AREA:GOLD 0.2 μ m min DIP AREA:TIN-PLATING 2 μ m min UNDER PLATING:NICKEL 2.5 μ m min		
NO.	MATERIAL	FINISH . REMARKS	NO.	MATERIAL	FINISH . REMARKS		
UNITS mm	\odot \square	SCALE 2 : 1	COUNT \triangle 2	DESCRIPTION OF REVISIONS DIS-F-00015681	DESIGNED YU. NAKADA	CHECKED HT. YAMAGUCHI	DATE 20221021
HRS HIROSE ELECTRIC CO., LTD.		APPROVED : HS. OKAWA 20070201	DRAWING NO. EDC-018135-71-21				
		CHECKED : HS. OZAWA 20070201	PART NO. A1-24PA-2.54DS(71)				
		DESIGNED : KY. NAKAMURA 20070201	CODE NO. CL0619-0008-6-71				
		DRAWN : KY. NAKAMURA 20070201					

Convert paper drawings to CAD data. \triangle