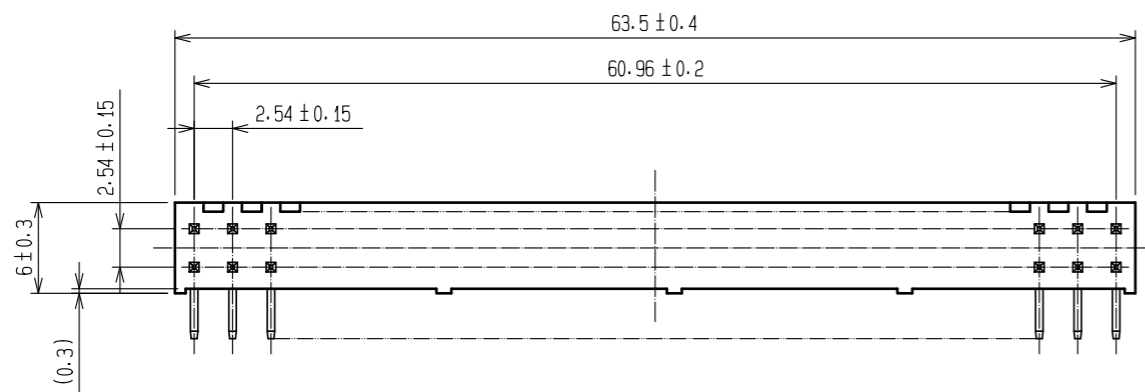
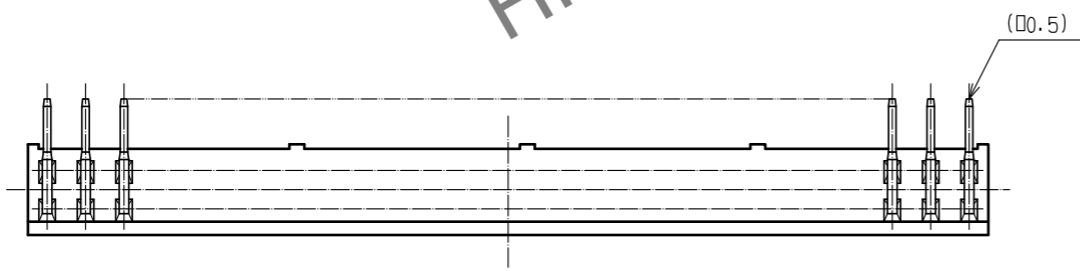
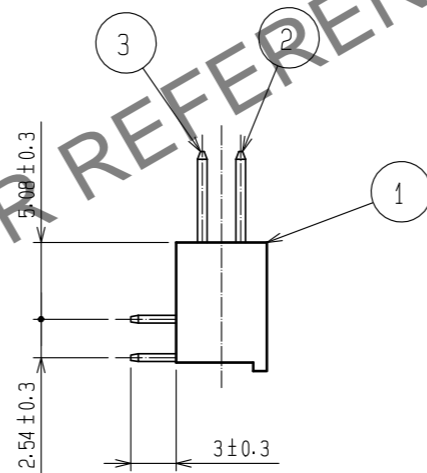
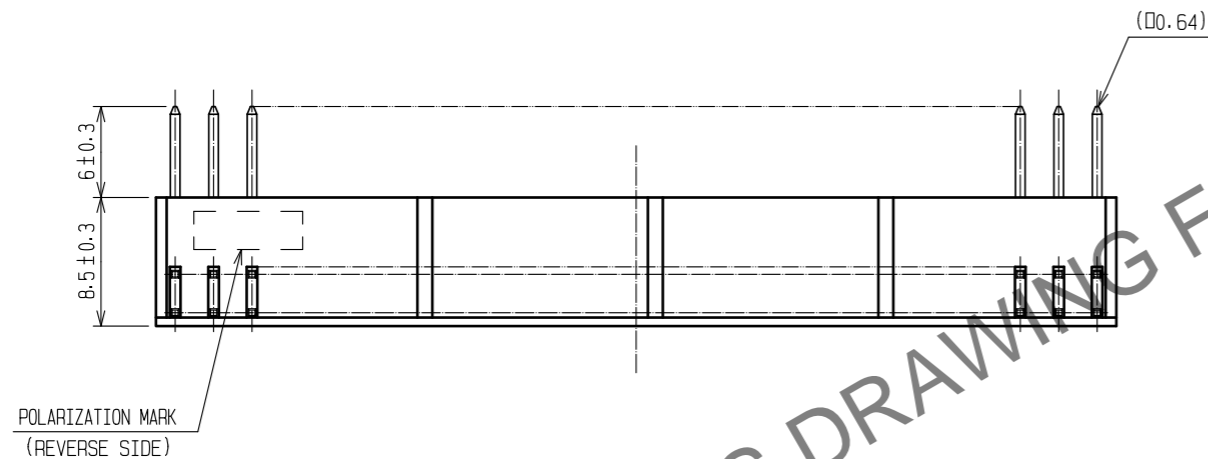
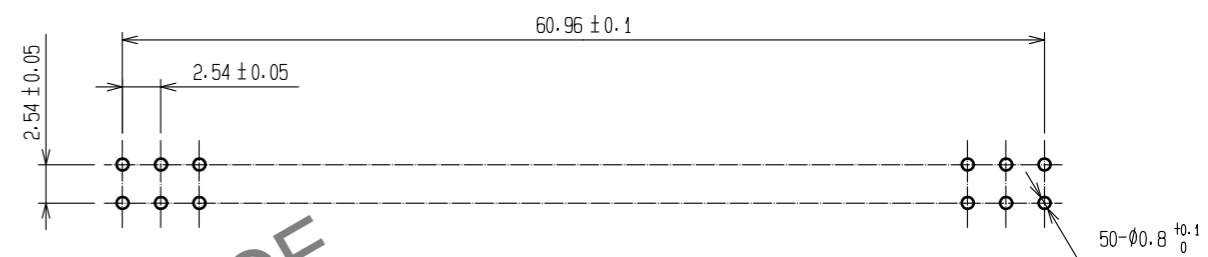


Mar.1.2025 Copyright 2025 HIROSE ELECTRIC CO., LTD. All Rights Reserved.
 In case of consideration for using Automotive equipment / device which demand high reliability, kindly contact our sales window correspondents.



RECOMMENDED PC BOARD HOLE PATTERN



HRS DRAWING FOR REFERENCE

NOTE 1. THE DIMENSIONS IN PARENTHESES ARE FOR REFERENCE.

1	PBT	BLACK \triangle	2.3	BRASS	CONTACT AREA:GOLD 0.2 μ m min DIP AREA:TIN-PLATING 2 μ m min UNDER PLATING:NICKEL 2.5 μ m min
NO.	MATERIAL	FINISH . REMARKS	NO.	MATERIAL	FINISH . REMARKS
UNITS mm	\odot \square	SCALE 2 : 1	COUNT \triangle 2	DESCRIPTION OF REVISIONS DIS-F-00015681	DESIGNED YU. NAKADA
		APPROVED : HS. OKAWA	20070201	DRAWING NO.	EDC-018140-71-21
		CHECKED : HS. OZAWA	20070201	PART NO.	A1-50PA-2.54DS(71)
		DESIGNED : KY. NAKAMURA	20070201	CODE NO.	CL0619-0013-6-71
		DRAWN : KY. NAKAMURA	20070201		\triangle 1/1

Convert paper drawings to CAD data. \triangle