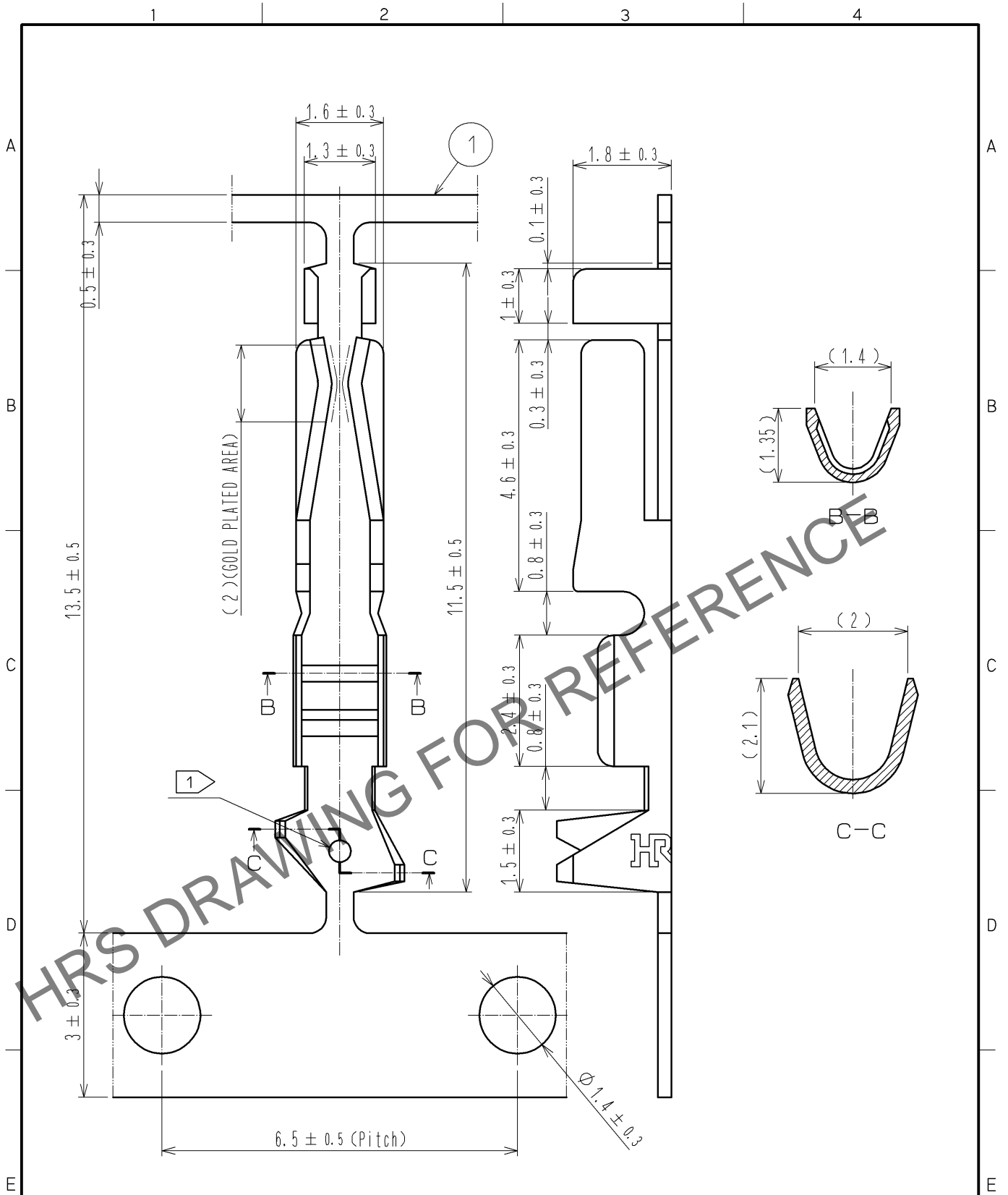


May.1.2024 Copyright 2024 HIROSE ELECTRIC CO., LTD. All Rights Reserved.
 In case of consideration for using Automotive equipment / device which demand high reliability, kindly contact our sales window correspondents.



NOTE ① IDENTIFICATION MARKING FOR AWG 26 TO 30.
 2 THE DIMENSIONS IN PARENTHESES ARE FOR REFERENCE.

NO.	MATERIAL	FINISH .	REMARKS	NO.	MATERIAL	FINISH .	REMARKS
1	PHOSPHOR BRONZE						
							CONTACT AREA:GOLD 0.2μm min. UNDER PLATING:NICKEL 0.5μm min.

UNITS mm	SCALE 10: 1	COUNT	DESCRIPTION OF REVISIONS	DESIGNED	CHECKED	DATE

HIROSE ELECTRIC CO., LTD.	APPROVED : HS. OKAWA	12. 07. 17	DRAWING NO.	EDC4-018791-00
	CHECKED : HT. YAMAGUCHI	12. 07. 17	PART NO.	A1-2630SCFC
	DESIGNED : KJ. NISHIWAKI	12. 07. 17	CODE NO.	CL619-0212-2-00
	DRAWN : KJ. NISHIWAKI	12. 07. 17		