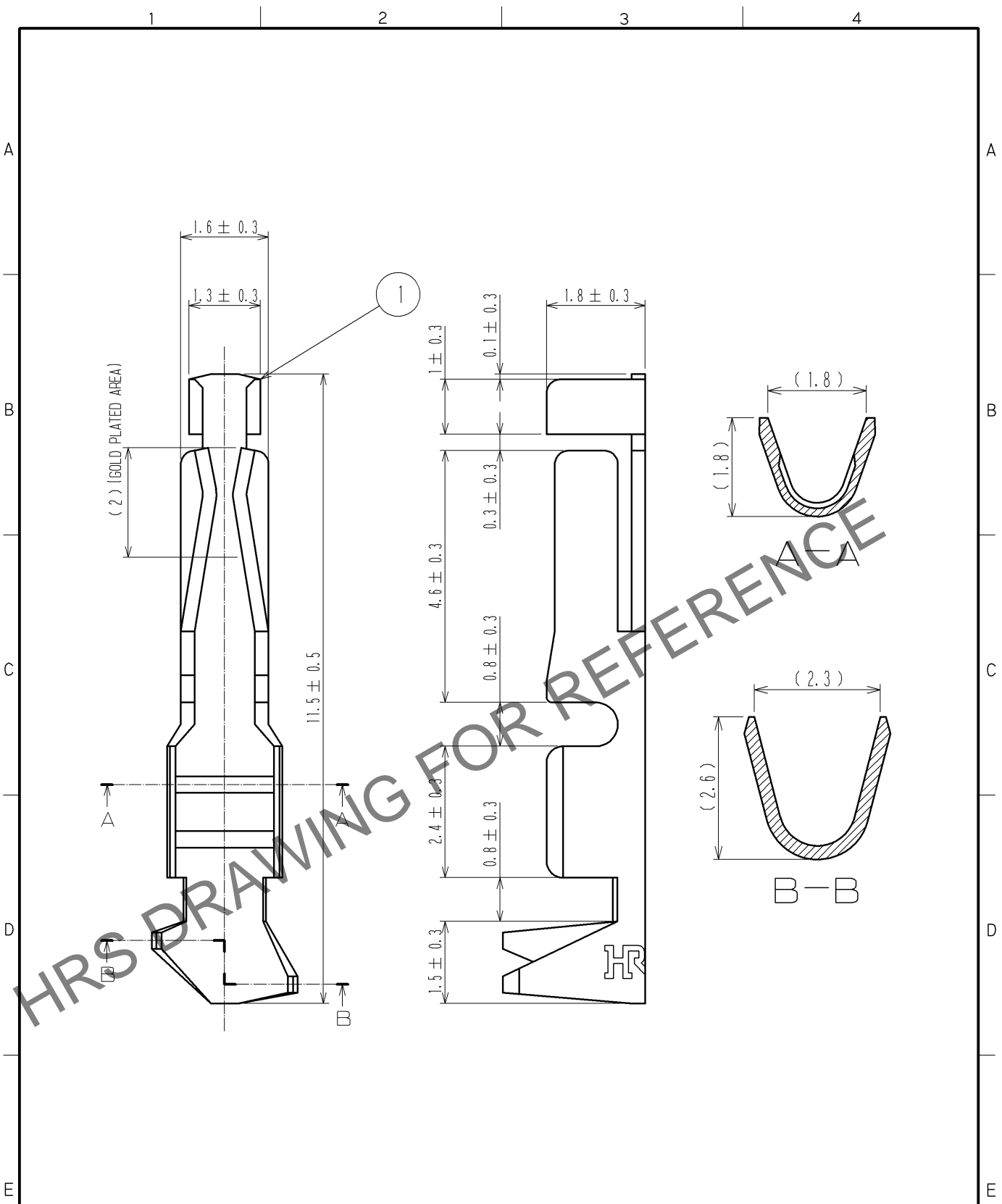


May.1.2024 Copyright 2024 HIROSE ELECTRIC CO., LTD. All Rights Reserved.
 In case of consideration for using Automotive equipment / device which demand high reliability, kindly contact our sales window correspondents.



NOTE 1 THE DIMENSIONS IN PARENTHESES ARE FOR REFERENCE.

NO.		MATERIAL		FINISH . REMARKS		NO.		MATERIAL		FINISH . REMARKS			
1		PHOSPHOR BRONZE		CONTACT AREA:GOLD 0.2μm min. UNDER PLATING:NICKEL 0.5μm min.									
UNITS mm		SCALE 10:1		COUNT		DESCRIPTION OF REVISIONS		DESIGNED		CHECKED		DATE	
HRS		HIROSE ELECTRIC CO., LTD.		APPROVED :HS. OZAWA 07. 11. 20		DRAWING NO. EDC4-018793-00							
				CHECKED :HS. OZAWA 07. 11. 20		PART NO. A1-2226SCC							
				DESIGNED :SY. KAMIGA 07. 11. 20		CODE NO. CL619-0214-8-00						1/1	
				DRAWN :HK. SUNADORI 07. 11. 20									