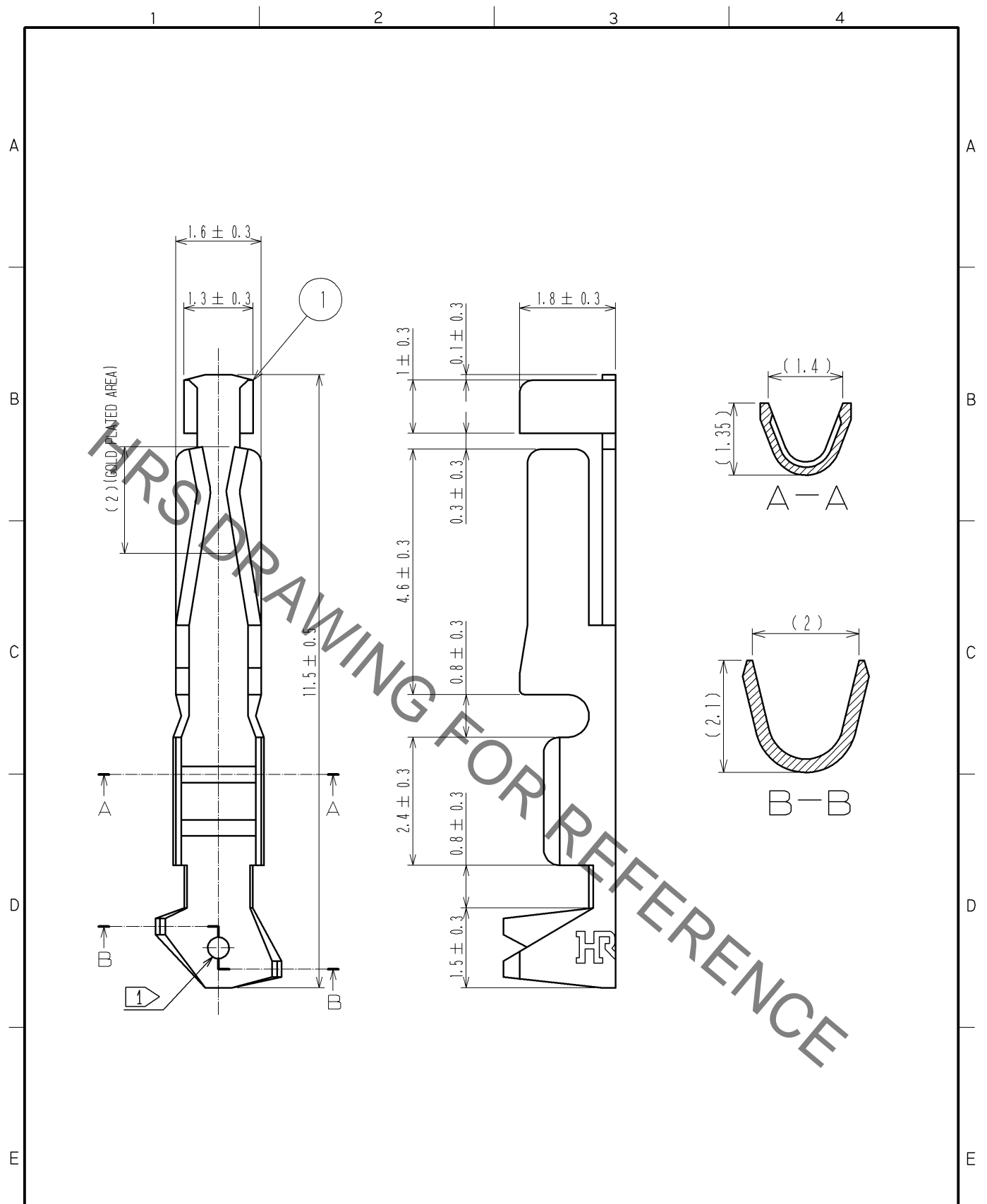


Oct.1.2021 Copyright 2021 HIROSE ELECTRIC CO., LTD. All Rights Reserved.  
 In case of consideration for using Automotive equipment / device which demand high reliability, kindly contact our sales window correspondents.



NOTE 1 IDENTIFICATION MARKING FOR AWG 26 TO 30.  
 2 THE DIMENSIONS IN PARENTHESES ARE FOR REFERENCE.

NO.		MATERIAL		FINISH . REMARKS		NO.		MATERIAL		FINISH . REMARKS	
		1		PHOSPHOR BRONZE						CONTACT AREA:GOLD 0.2μm min. UNDER PLATING:NICKEL 0.5μm min.	
UNITS mm		SCALE 10: 1		COUNT		DESCRIPTION OF REVISIONS		DESIGNED		CHECKED	
HRS HIROSE ELECTRIC CO., LTD.		APPROVED : HS. OZAWA		07. 11. 20		DRAWING NO.		EDC4-018794-00		DATE	
		CHECKED : HS. OZAWA		07. 11. 20		PART NO.		A1-2630SCC			
		DESIGNED : SY. KAMIGA		07. 11. 20		CODE NO.		CL619-0215-0-00		1/1	
		DRAWN : HK. SUNADORI		07. 11. 20							