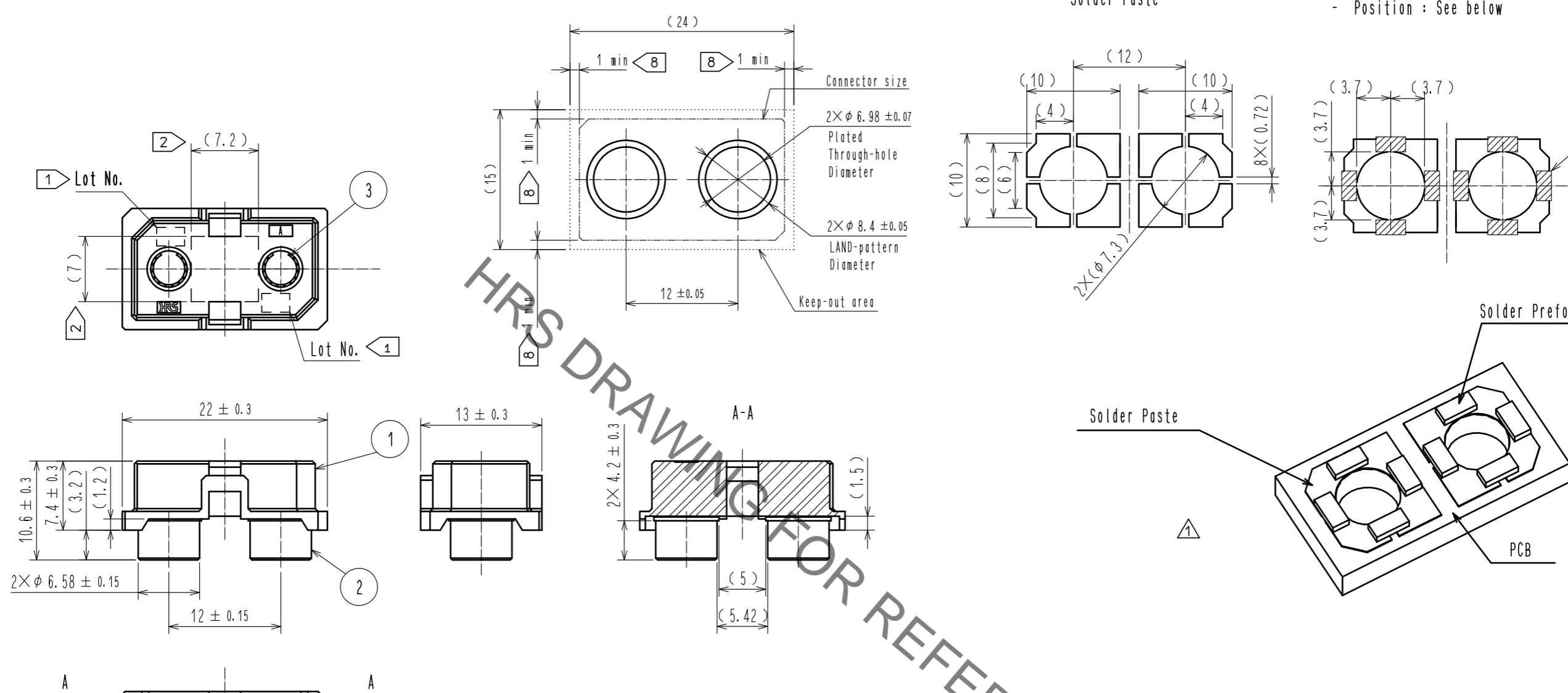


Jun.1.2021 Copyright 2021 HIROSE ELECTRIC CO., LTD. All Rights Reserved.
 In case of consideration for using Automotive equipment / device which demand high reliability, kindly contact our sales window correspondents.

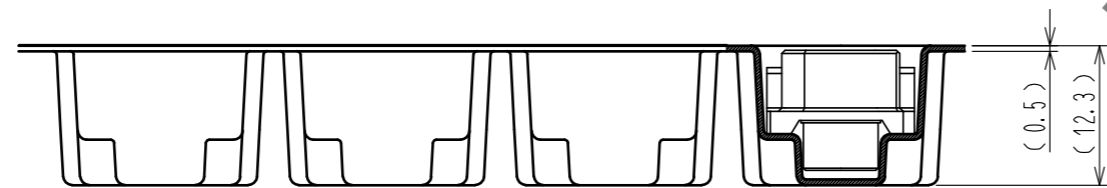
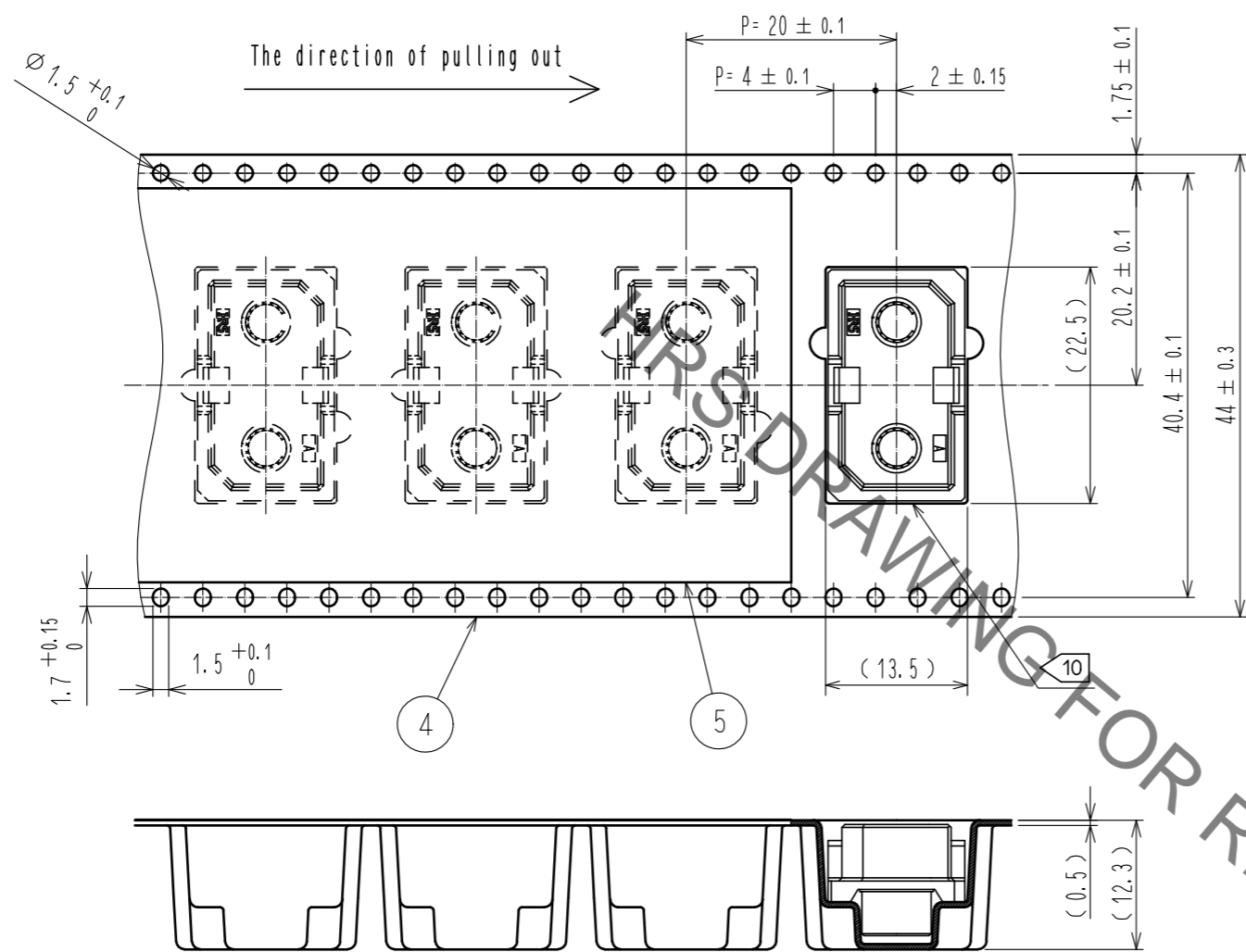


- Note.
- 1 The lot number is marked in this area. It may be marked on one or both areas.
 - 2 This area is vacuum pickup area.
 - 3 The dimensions in parentheses are for reference.
 - 4 Manufacturing process could leave scratch and/or punch marks, but they have no effect on the product performance. And the dark spots might occasionally occur on molded plastic.
 - 5 Since silver plating is used for this product, if it is left in the atmosphere for a long time, plating may become drab.
 - 6 Since this product is point symmetry, direction of mounting does not have a rule.
 - 7 This product is RoHS compliant.
 - 8 Please do not mount other devices in this area.
 - 9 Packing for this product is embossed carrier tape packing. (250pcs/RL)
 - 10 The insertion direction of a connector may change.
 - 11 This connector can be soldered as part of the normal SMT process. Please use the solder preform design outlined above. For more detail on this process, please refer to the design guide (EATD-F0804-00).

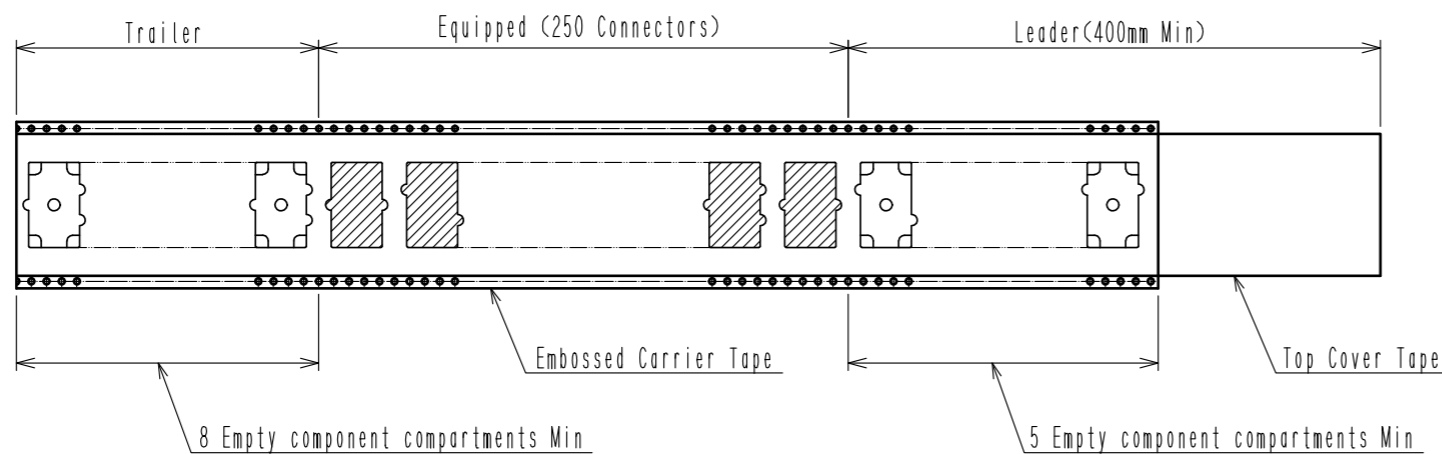
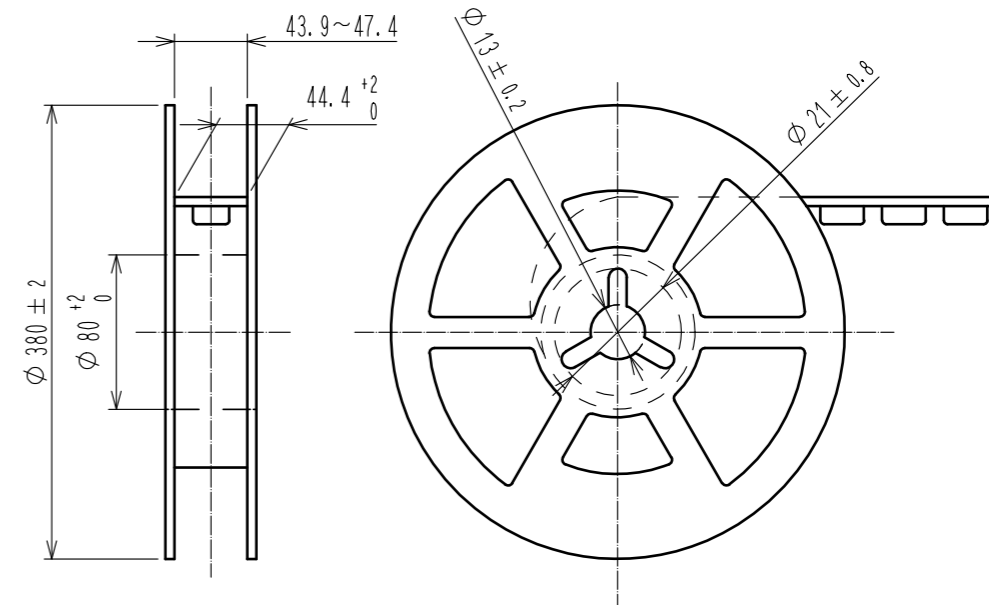
2	Brass	Over Plating : Silver 5.1μm	5	Polyester	(Top Cover Tape)
		Under Plating : Nickel 1.3μm	4	Polystyrene	(Embossed Carrier Tape)
1	LCP	Gray UL94V-0	3	Copper alloy	Contact Area : Gold 0.76μm
					Under Plating : Nickel 1.3μm
NO.	MATERIAL	FINISH . REMARKS	NO.	MATERIAL	FINISH . REMARKS
UNITS	mm	SCALE	2 : 1	COUNT	7
		DESCRIPTION OF REVISIONS	DESIGNED	CHECKED	DATE
		DIS-F-00003882	AS. MATSUZAWA	MK. EZAKI	20181030
APPROVED : HS. OKAWA		20111216	DRAWING NO. EDC-339734-00-00		
CHECKED : KI. HIROKAWA		20111215	PART NO. IT-PD-2S-DIR		
DESIGNED : KN. SHIBUYA		20111215	CODE NO. CL636-0601-0-00		
DRAWN : KN. SHIBUYA		20111215	1/2		

Jun.1.2021 Copyright 2021 HIROSE ELECTRIC CO., LTD. All Rights Reserved.
 In case of consideration for using Automotive equipment / device which demand high reliability, kindly contact our sales window correspondents.

Drawing For Packing (Free)



Reeling Dimension (Free)



⚠ Delete

HRS	DRAWING NO.	EDC-339734-00-00	2/2
	PART NO.	IT-PD-2S-DIR	
	CODE NO.	CL636-0601-0-00	