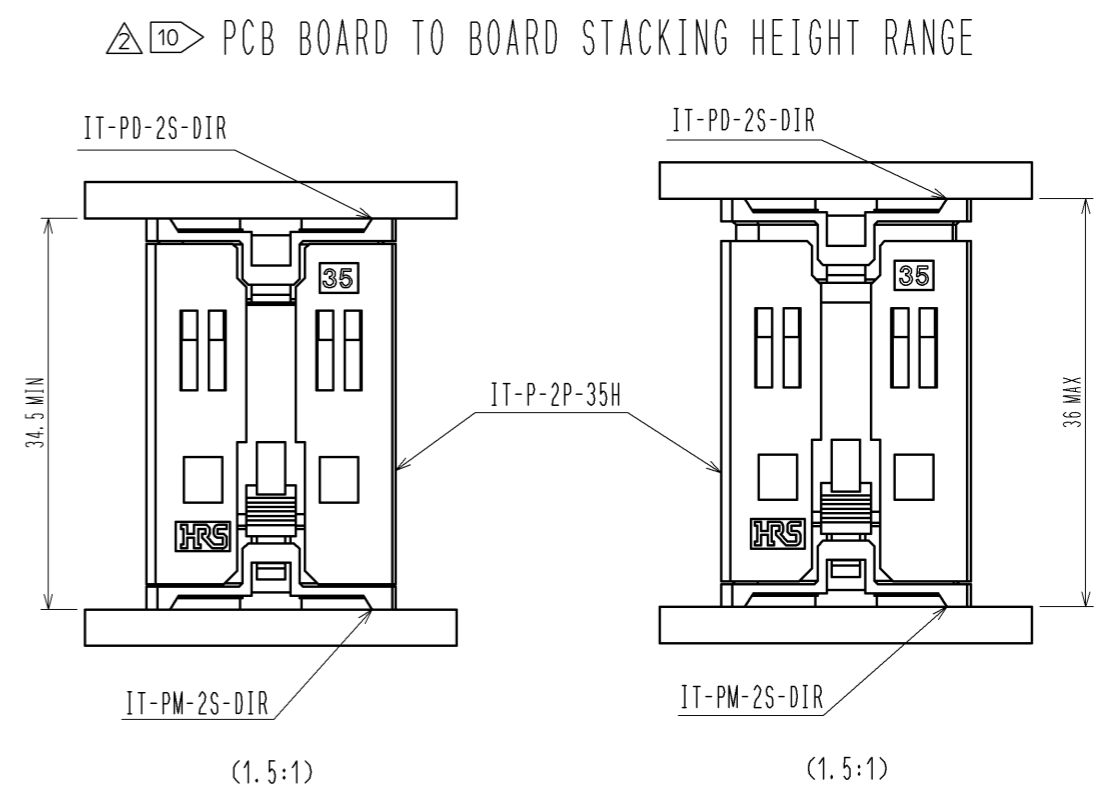
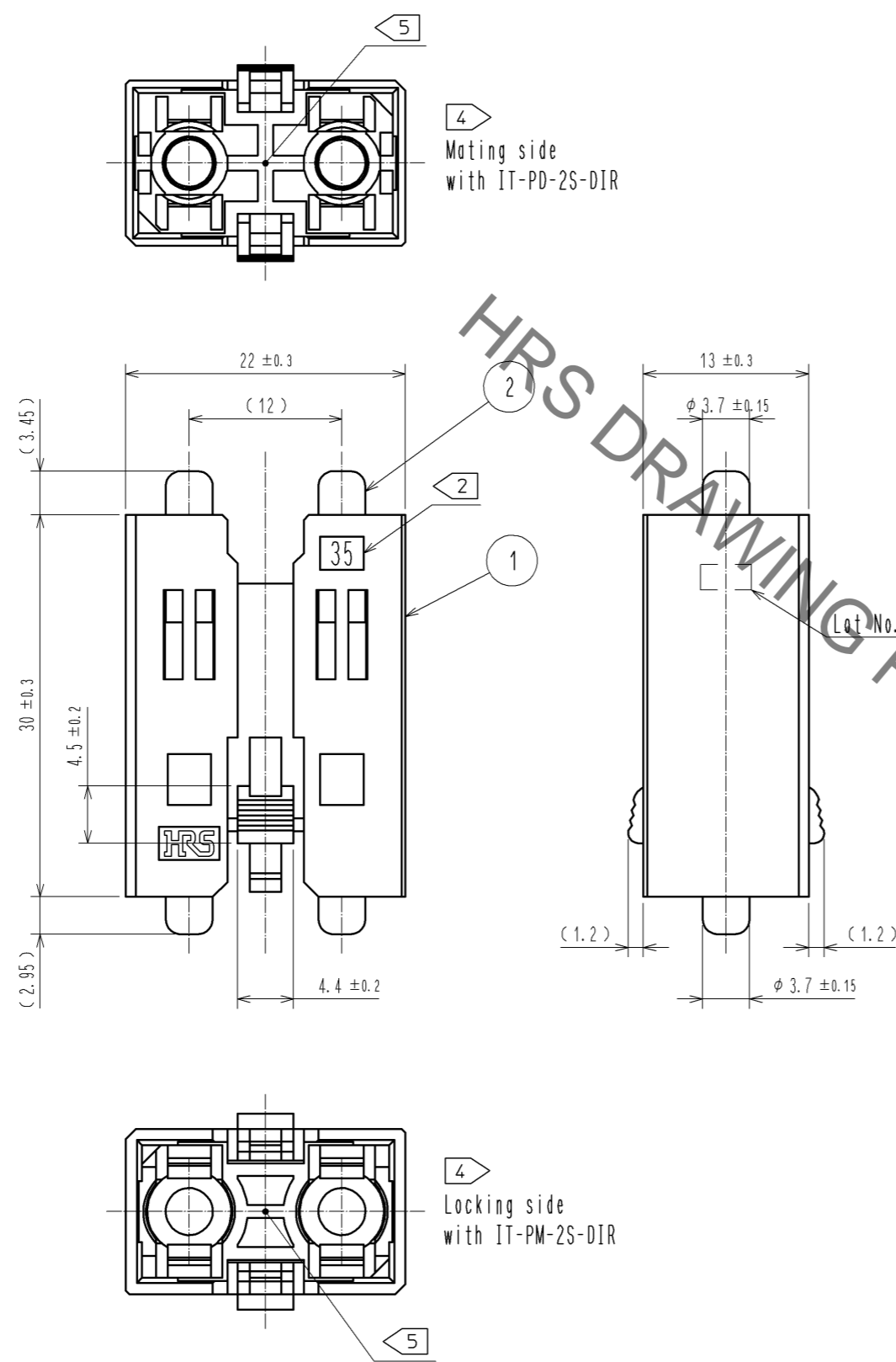


Jul.1.2021 Copyright 2021 HIROSE ELECTRIC CO., LTD. All Rights Reserved.
 In case of consideration for using Automotive equipment / device which demand high reliability, kindly contact our sales window correspondents.

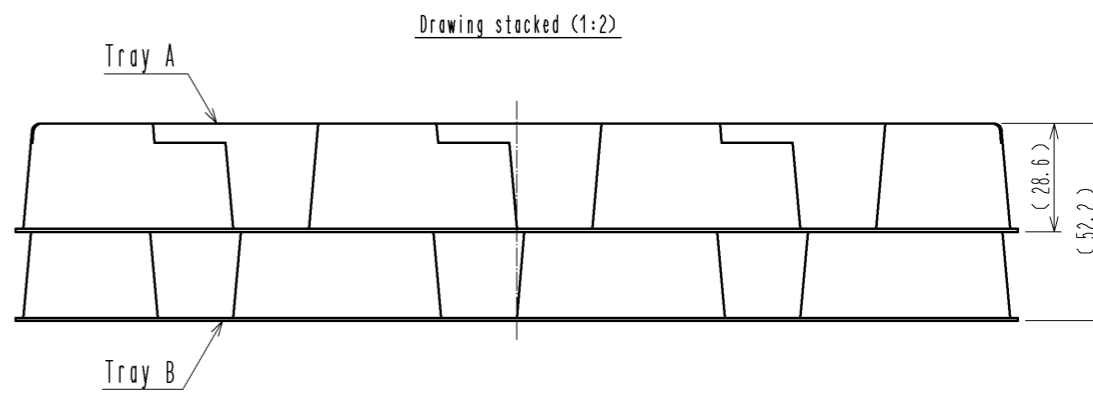
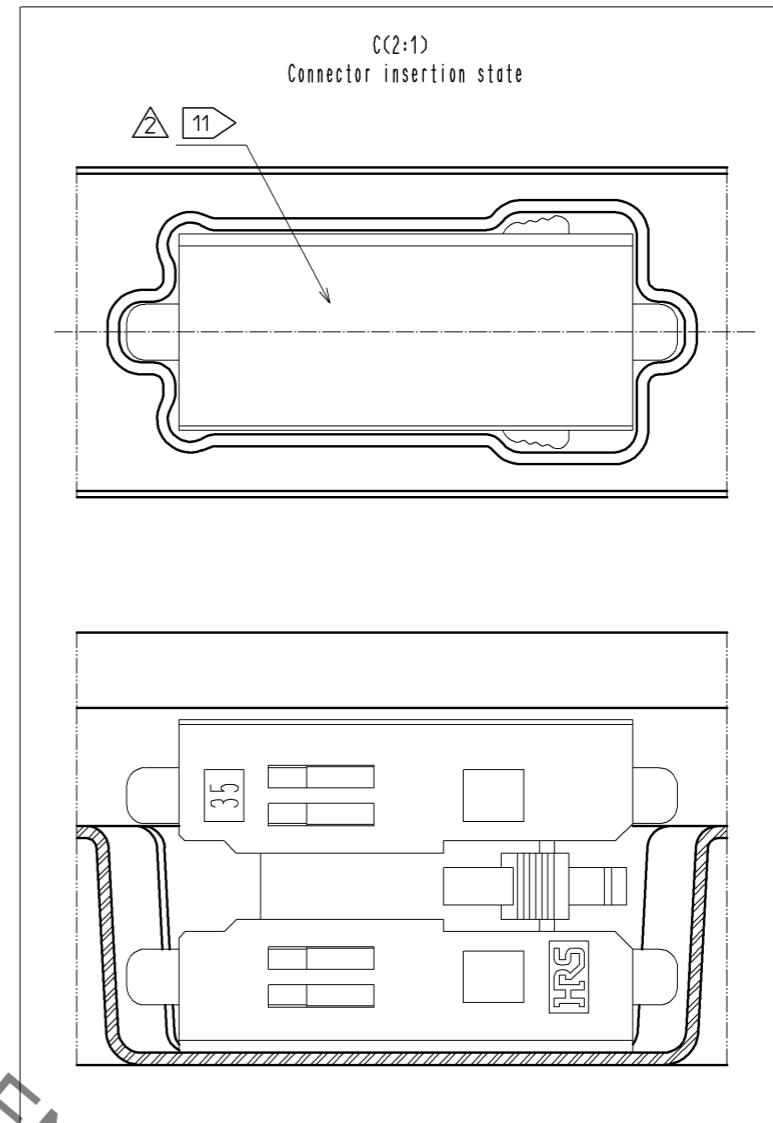
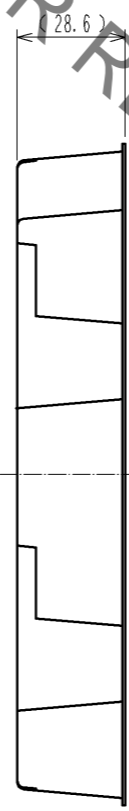
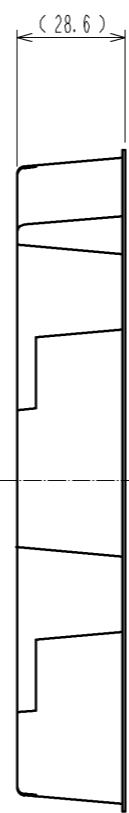
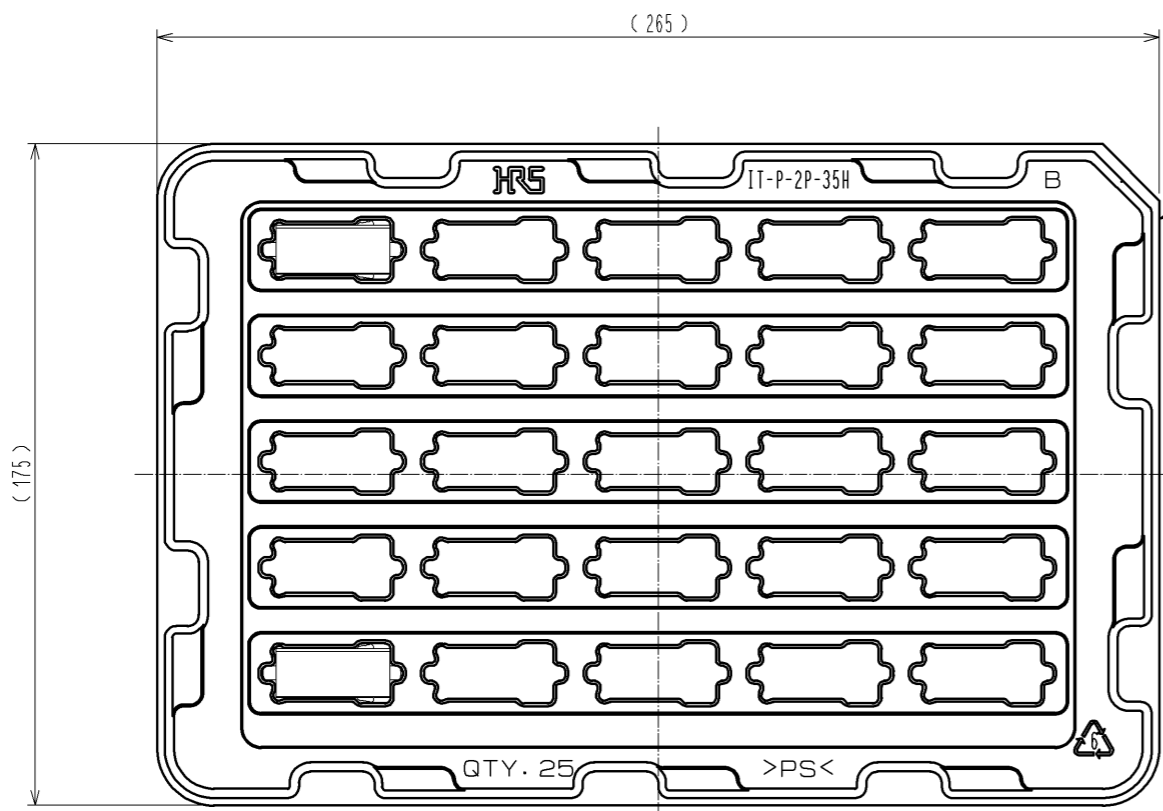
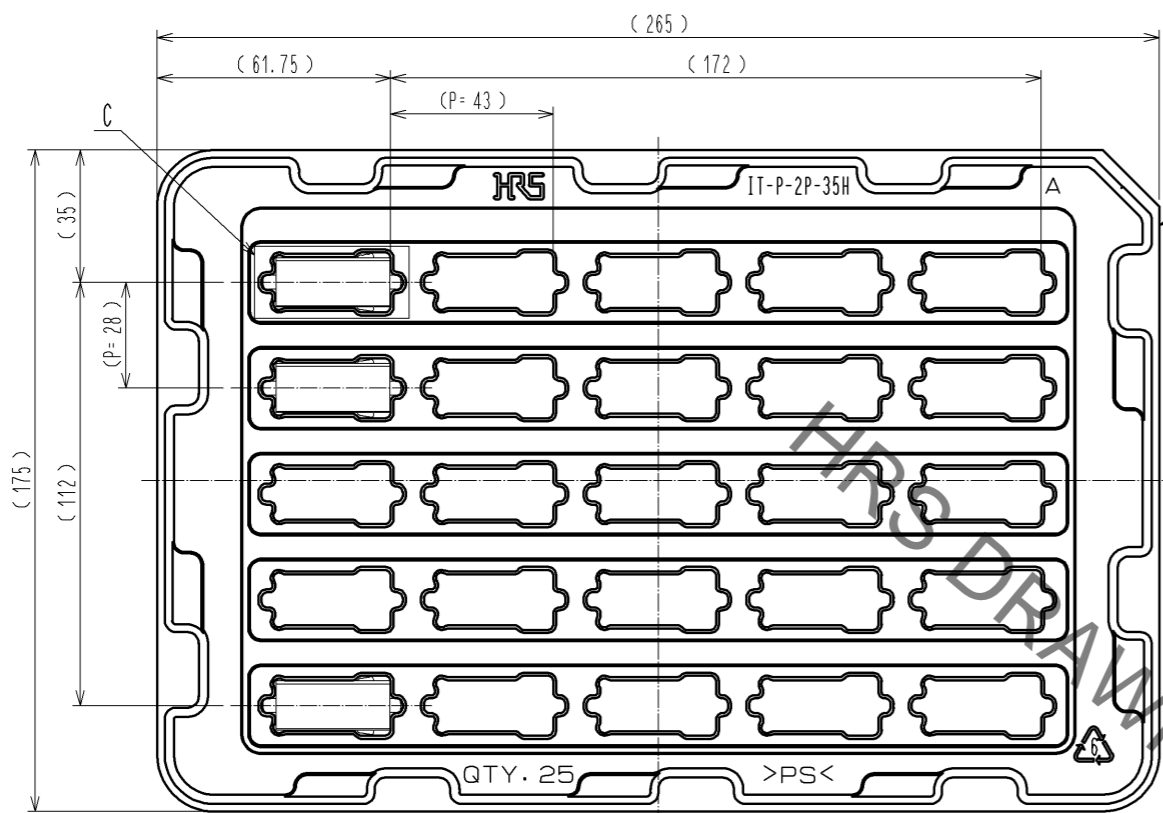


- Notes:
- 1 The lot number is marked in this area.
 - 2 Stack height(Nominal)is shown.
 - 3 The dimensions in parentheses are for reference.
 - 4 Engageable receptacle is defined for each side of this product.
 - 5 Since this product is point symmetry, direction of mating does not have a rule.
 - 6 Manufacturing process could leave scratch and/or punch marks, but they have no effect on the product performance.
 - 7 Since silver plating is used for this product, if it is left in the atmosphere for a long time, plating may become drab.
 - 8 This product is RoHS compliant.
 - 9 This product is packaged in tray. (Max 25pcs/Tray)
 - 10 This part can accommodate the PCB board to board stacking height range of 35 +1/-0.5mm (34.5mm to 36mm).

2	Brass	Over Plating : Silver 5.1μm	4	Polystyrene	(Tray B)		
1	PBT	Black UL94V-0	3	Polystyrene	(Tray A)		
NO.	MATERIAL	FINISH . REMARKS	NO.	MATERIAL	FINISH . REMARKS		
UNITS	mm	SCALE	COUNT	DESCRIPTION OF REVISIONS	DESIGNED	CHECKED	DATE
		2 : 1	4	DIS-F-006732	TF. SUGAWARA	MK. NAGATA	13.04.01
APPROVED : HS. OKAWA		11.12.16		DRAWING NO. EDC3-339735-00			
CHECKED : KI. HIROKAWA		11.12.15		PART NO. IT-P-2P-35H			
DESIGNED : KN. SHIBUYA		11.12.15		CODE NO. CL636-0602-2-00			
DRAWN : KN. SHIBUYA		11.12.15					

Jul.1.2021 Copyright 2021 HIROSE ELECTRIC CO., LTD. All Rights Reserved.
 In case of consideration for using Automotive equipment / device which demand high reliability, kindly contact our sales window correspondents.

Drawing For Packing (1:2)



Note. 11 The connector is set in the tray in the direction shown here. The side with lot number can be either top side bottom side.

HRS	DRAWING NO.	EDC3-339735-00	2/2
	PART NO.	IT-P-2P-35H	
	CODE NO.	CL636-0602-2-00	