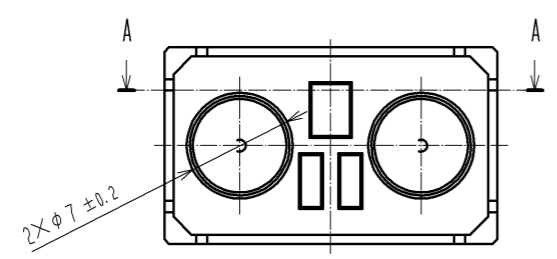
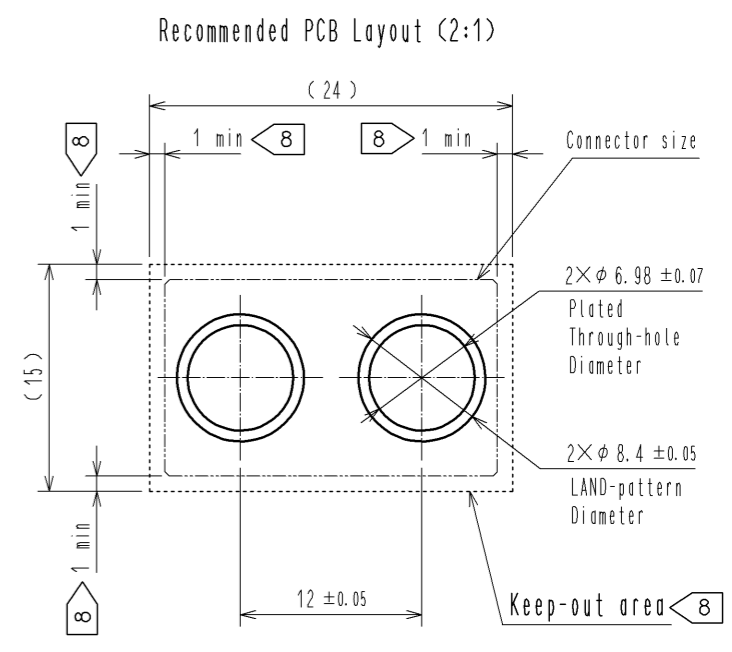
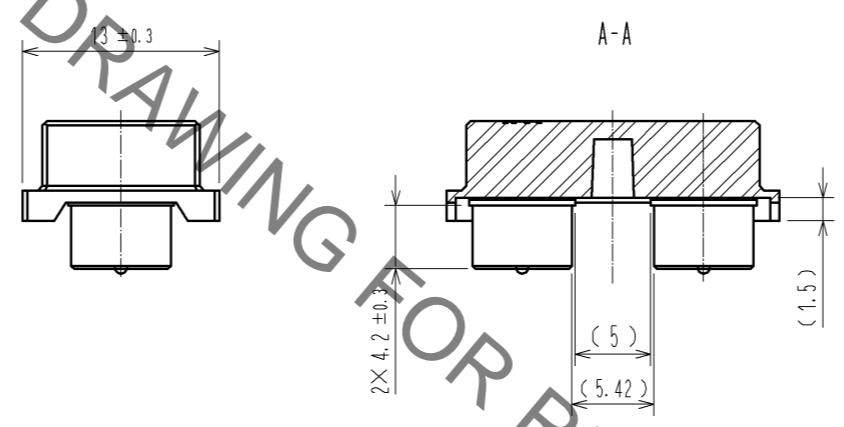
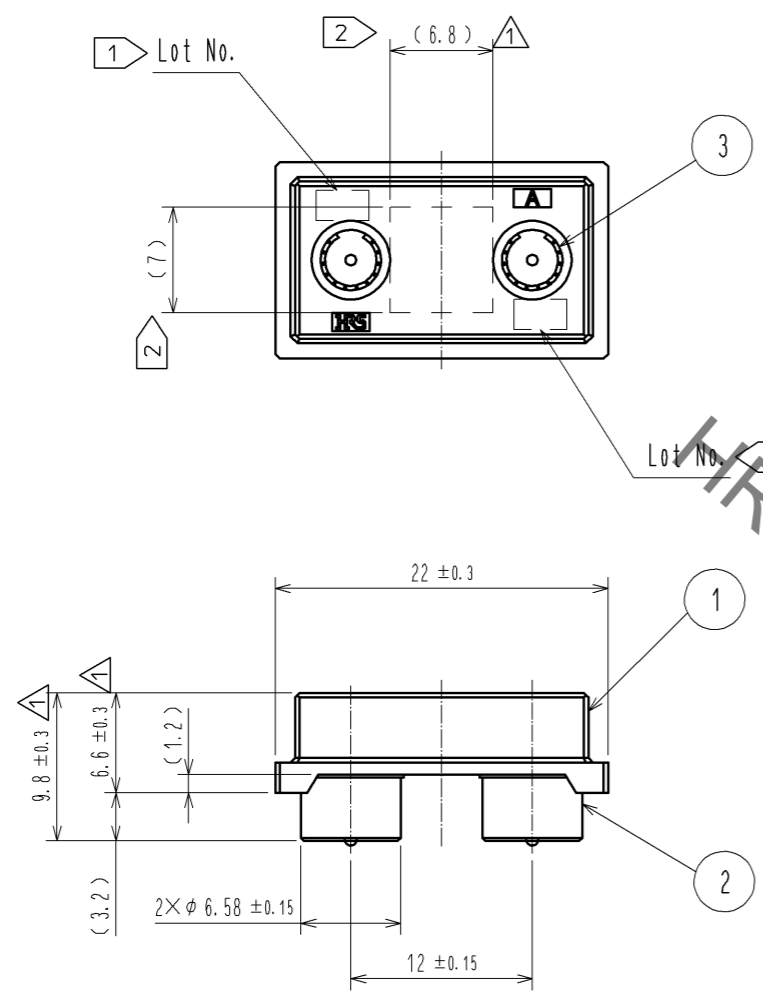


Jul.1.2021 Copyright 2021 HIROSE ELECTRIC CO., LTD. All Rights Reserved.
In case of consideration for using Automotive equipment / device which demand high reliability, kindly contact our sales window correspondents.



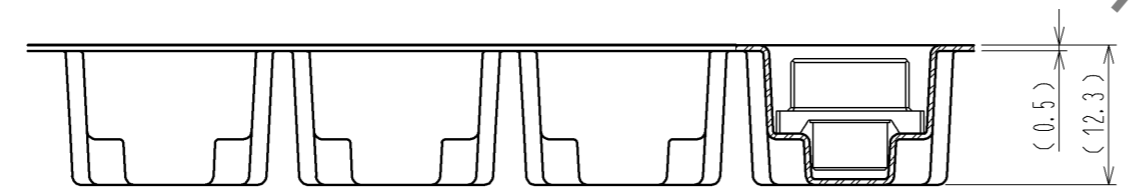
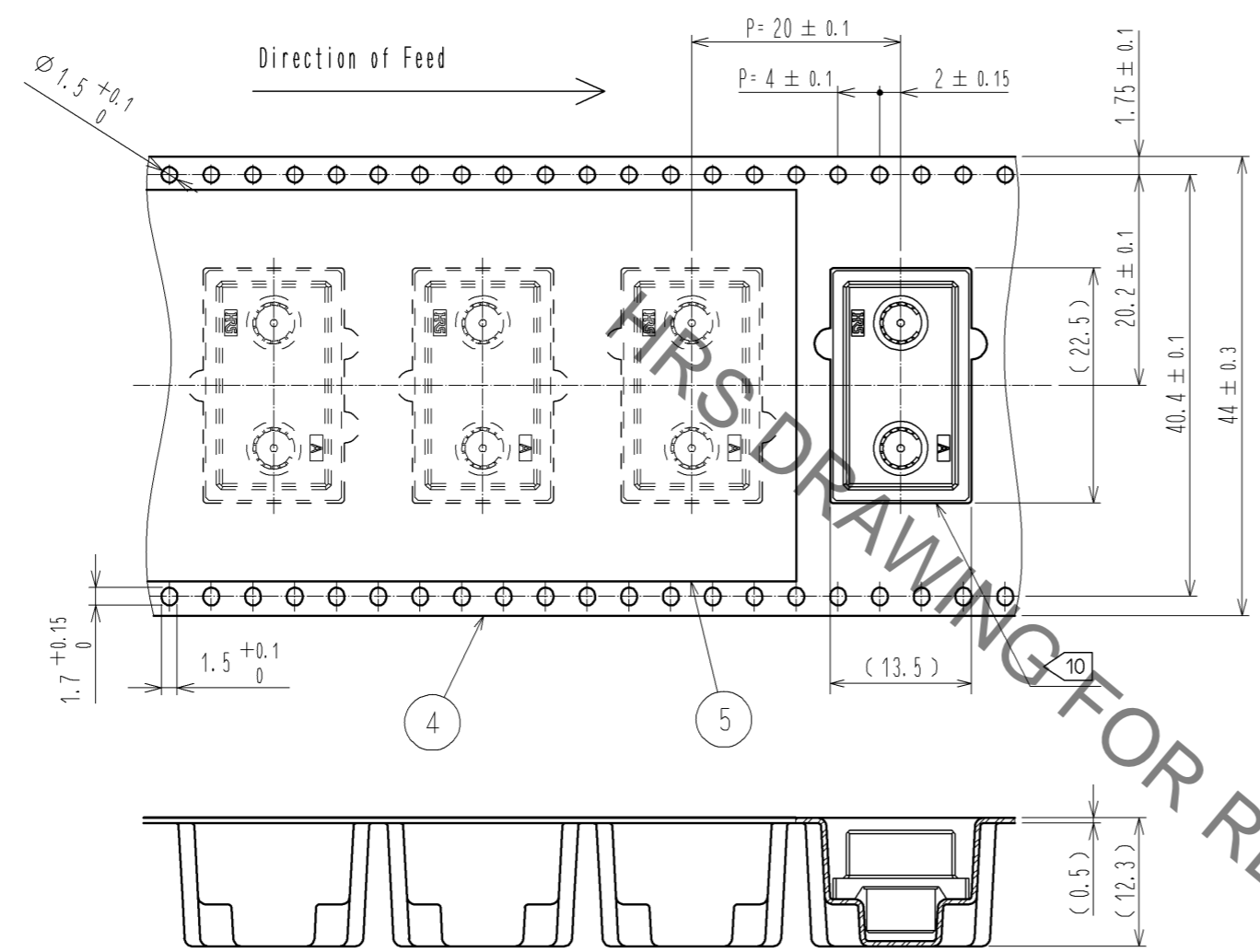
Notes:

- 1 The lot number marking will be in one of either of the areas noted.
- 2 This is a vacuum pickup area.
- 3 The dimensions in parentheses () are for reference.
- 4 Scratches and/or punch marks left by the manufacturing process will not affect the product performance. Dark spots might occasionally occur on the molded plastic.
- 5 Prolonged exposure to the atmosphere may cause the silver plating to tarnish.
- 6 This product is symmetric along the center axis. The mounting orientation is optional.
- 7 This product is RoHS compliant.
- 8 Please do not mount other devices in this area.
- 9 Packing for this product is embossed carrier tape packing. (250pcs per reel)

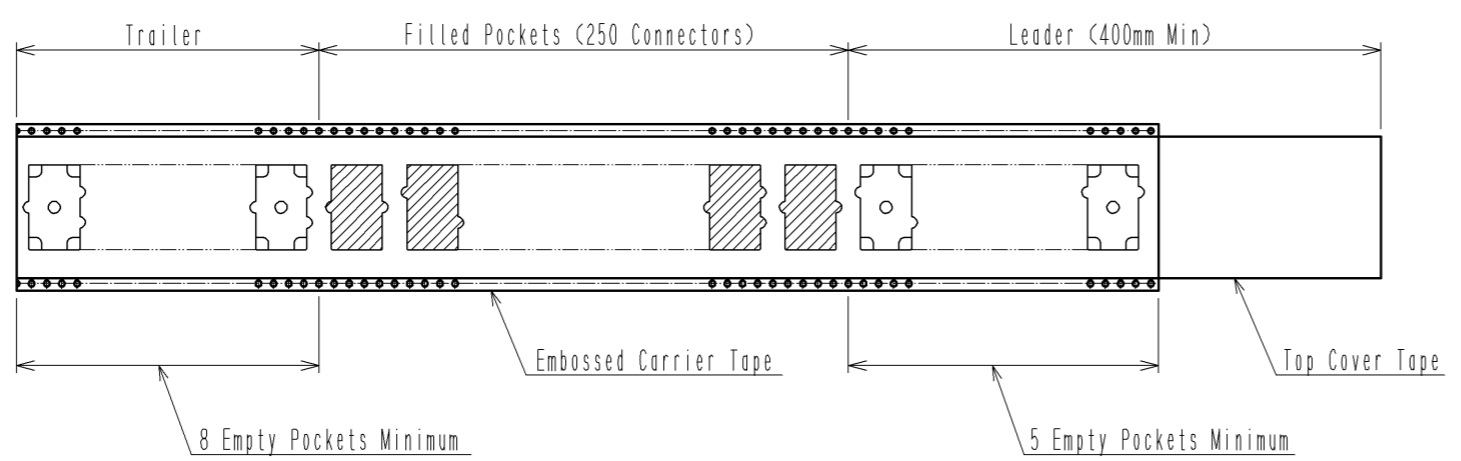
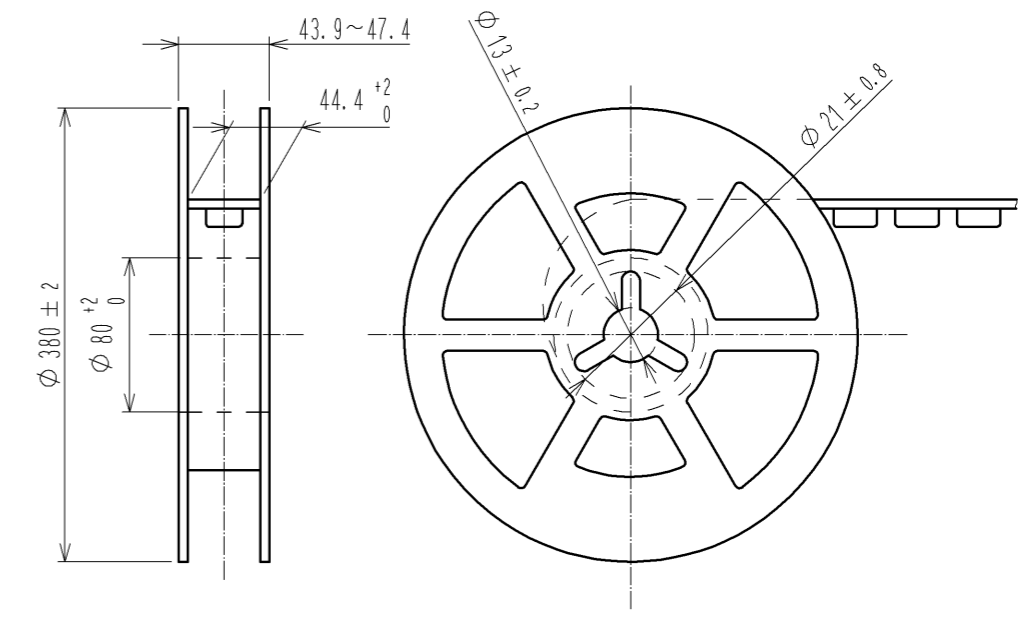
2	Brass	Over Plating : Silver 5.1μm min Under Plating : Nickel 1.3μm min	5	Polyester	(Top Cover Tape)
1	LCP	Black UL94V-0	4	Polystyrene	(Embossed Carrier Tape)
			3	Copper Alloy	Contact Area : Gold 0.76μm min Under Plating : Nickel 1.3μm min
NO.	MATERIAL	FINISH , REMARKS	NO.	MATERIAL	FINISH , REMARKS
UNITS mm		SCALE 2 : 1	COUNT 3	DESCRIPTION OF REVISIONS	
				DESIGNED NY. SHIMURA	CHECKED MK. EZAKI
				DATE 14.06.23	
HRS HIROSE ELECTRIC CO., LTD.		APPROVED : B. MACKILLOP 14.03.24	DRAWING NO. EDC3-354232-00		
		CHECKED : TM. MATSUO 14.03.21	PART NO. IT-P-2S-DIRL		
		DESIGNED : N. SHIMURA 14.03.13	CODE NO. CL636-0611-3-00		
		DRAWN : J. JUANG 13.12.17	1/2		

Jul.1.2021 Copyright 2021 HIROSE ELECTRIC CO., LTD. All Rights Reserved.
 In case of consideration for using Automotive equipment / device which demand high reliability, kindly contact our sales window correspondents.

Drawing For Packing (Not to scale)



Reel Dimensions (Not to scale)



Note. $\square 10$ The orientation of the connectors in the pockets may vary.

HRS	DRAWING NO.	EDC3-354232-00
	PART NO.	IT-P-2S-DIRL
	CODE NO.	CL636-0611-3-00
		$\triangle 2/2$