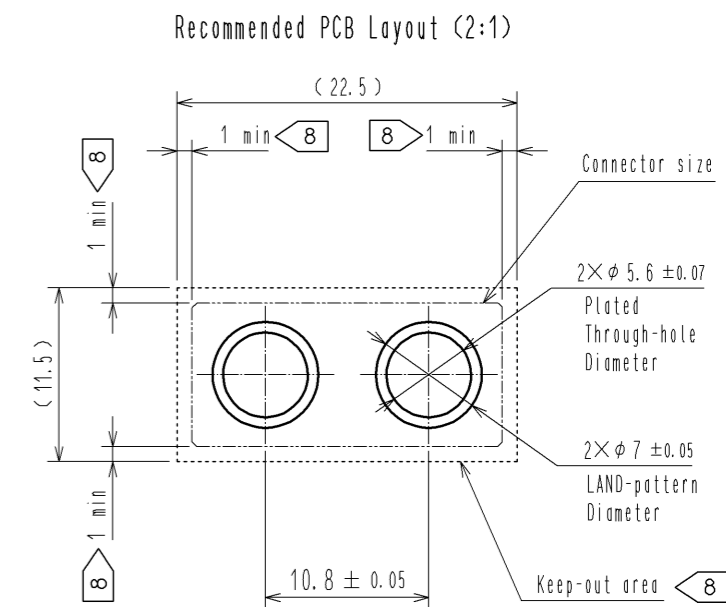
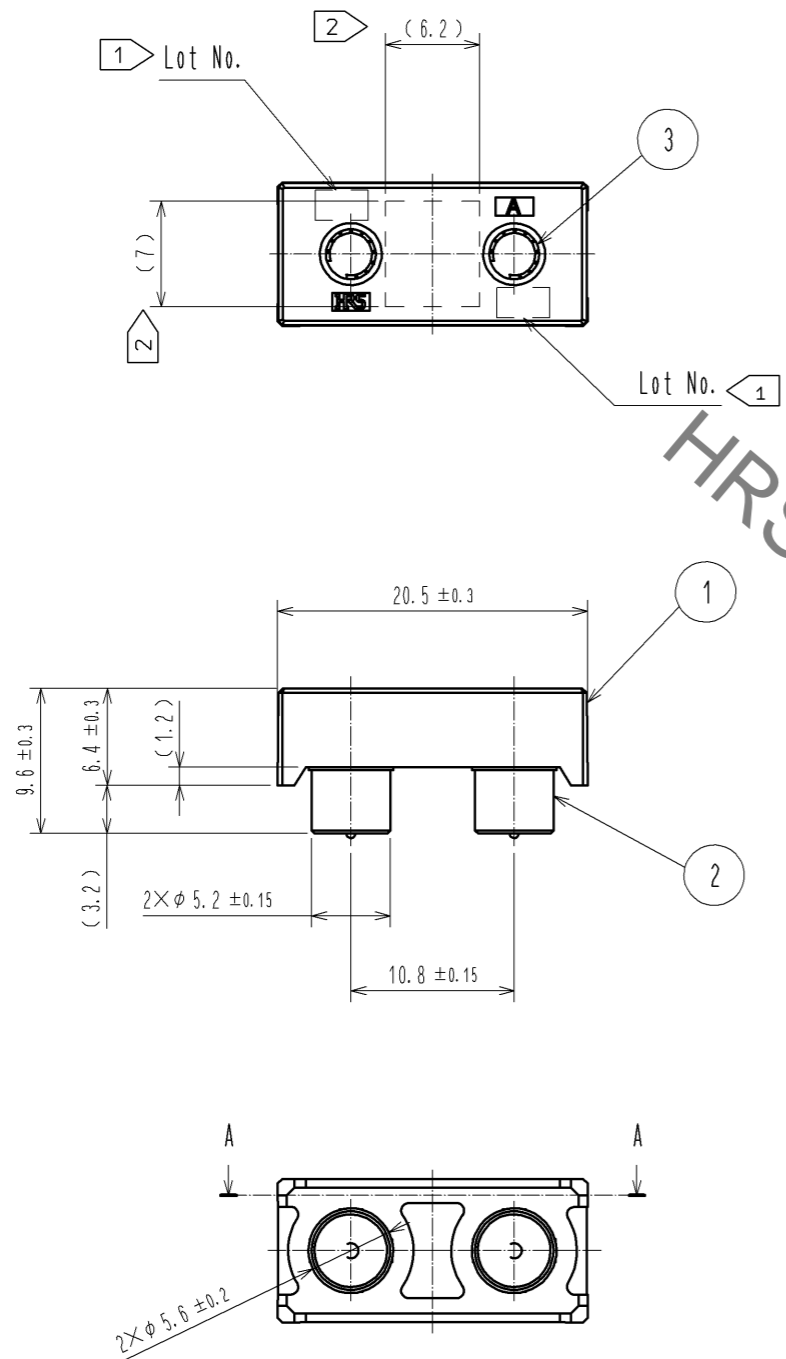


Jul.1.2021 Copyright 2021 HIROSE ELECTRIC CO., LTD. All Rights Reserved.  
In case of consideration for using Automotive equipment / device which demand high reliability, kindly contact our sales window correspondents.



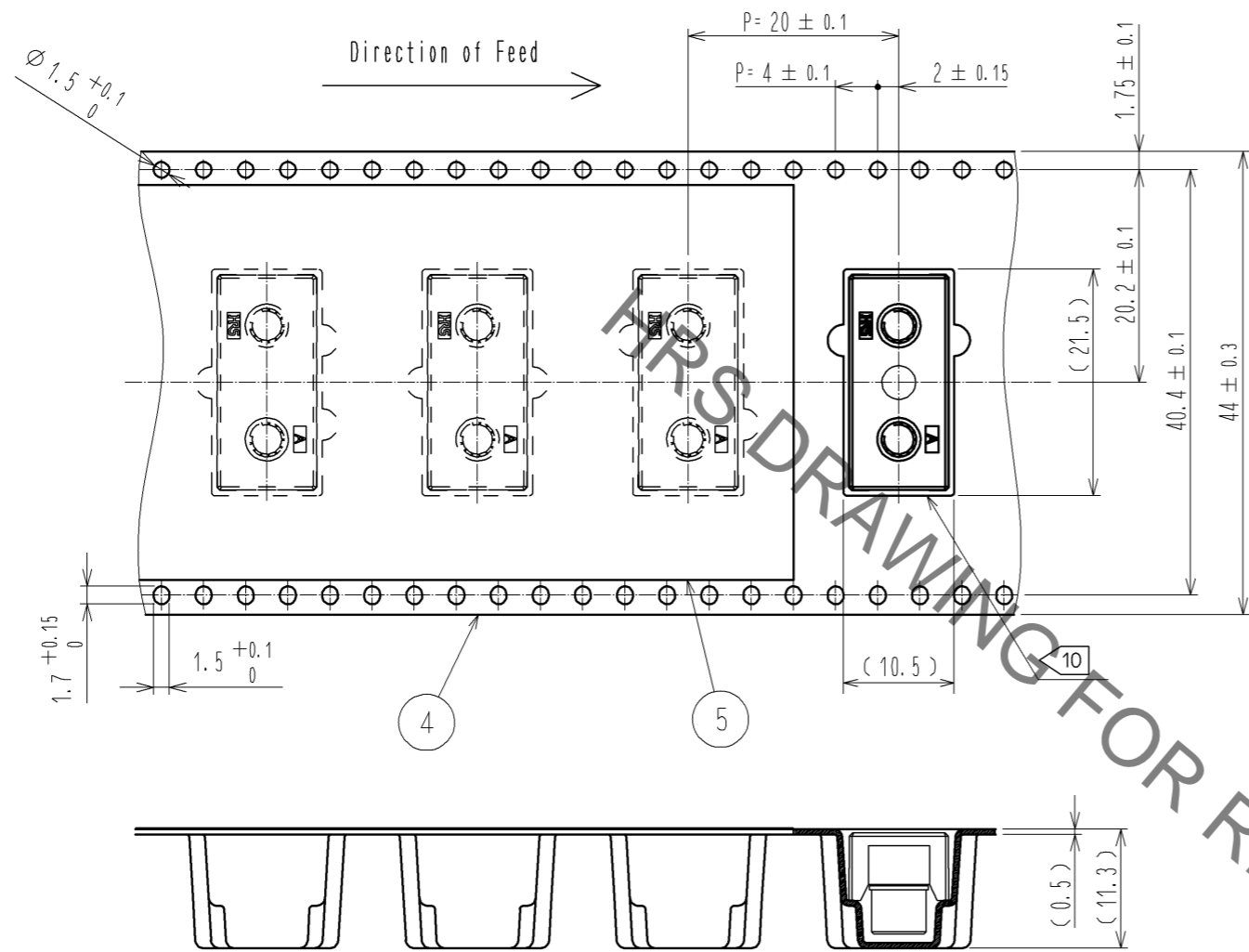
Notes:

- 1 The lot number marking will be in one of either of the areas noted.
- 2 This is a vacuum pickup area.
- 3 The dimensions in parentheses ( ) are for reference.
- 4 Scratches and/or punch marks left by the manufacturing process will not affect the product performance. Dark spots might occasionally occur on the molded plastic.
- 5 Prolonged exposure to the atmosphere may cause the silver plating to tarnish.
- 6 This product is symmetric along the center axis. The mounting orientation is optional.
- 7 This product is RoHS compliant.
- 8 Please do not mount other devices in this area.
- 9 Packing for this product is embossed carrier tape packing. (250pcs per reel)

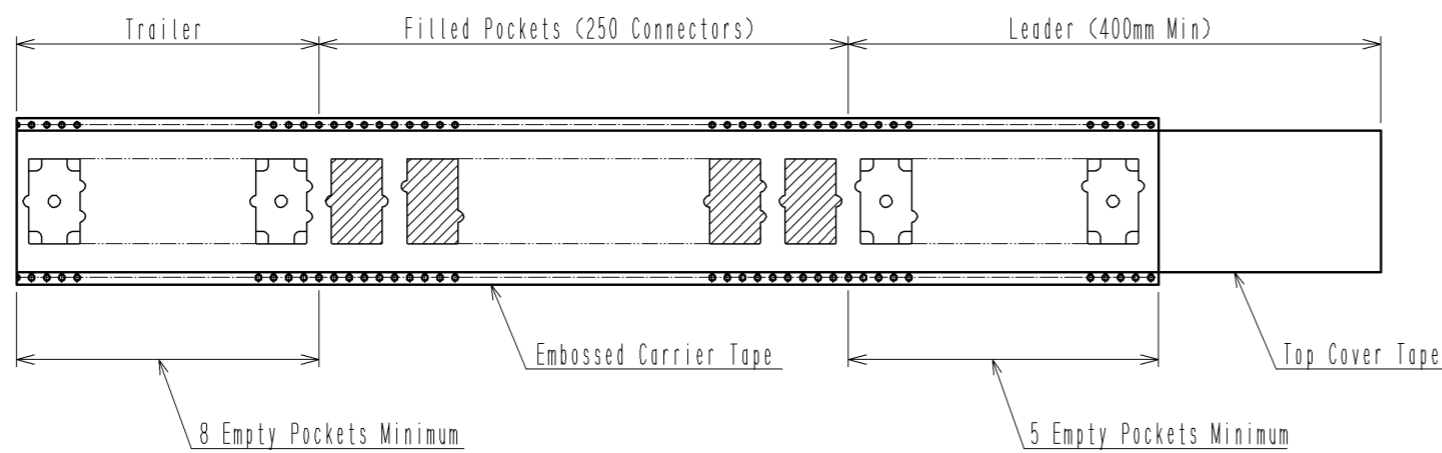
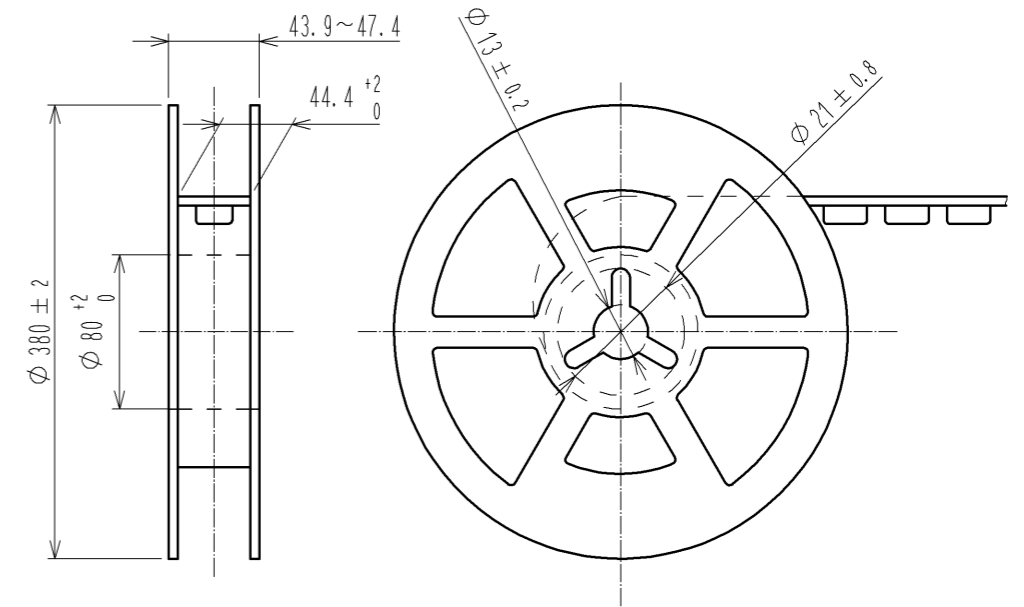
2	Brass	Over Plating : Silver 5.1 μm min Under Plating : Nickel 1.3 μm min	5	Polyester	(Top Cover Tape)
1	LCP	Black UL94V-0	4	Polystyrene	(Embossed Carrier Tape)
			3	Copper Alloy	Contact Area : Gold 0.76 μm min Under Plating : Nickel 1.3 μm min
NO.	MATERIAL	FINISH . REMARKS	NO.	MATERIAL	FINISH . REMARKS
UNITS mm		SCALE 2 : 1	COUNT 	DESCRIPTION OF REVISIONS	
APPROVED : B. MACKILLOP 14. 04. 09			DESIGNED	CHECKED	
CHECKED : TM. MATSUO 14. 04. 09			DATE		
DESIGNED : N. SHIMURA 14. 03. 11			DRAWING NO. EDC3-355732-00		
DRAWN : J. HUANG 13. 12. 17			PART NO. IT-PA-2S-DIRL		
HRS HIROSE ELECTRIC CO., LTD.			CODE NO. CL636-0614-1-00		
			1/1		

Jul.1.2021 Copyright 2021 HIROSE ELECTRIC CO., LTD. All Rights Reserved.  
 In case of consideration for using Automotive equipment / device which demand high reliability, kindly contact our sales window correspondents.

Drawing For Packing (Not to Scale)



Reel Dimensions (Not to Scale)



Note. 10 The orientation of the connectors in the pockets may vary.

<b>HRS</b>	DRAWING NO.	EDC3-355732-00
	PART NO.	IT-PA-2S-DIRL
	CODE NO.	CL636-0614-1-00
		$\triangle$ 2/1