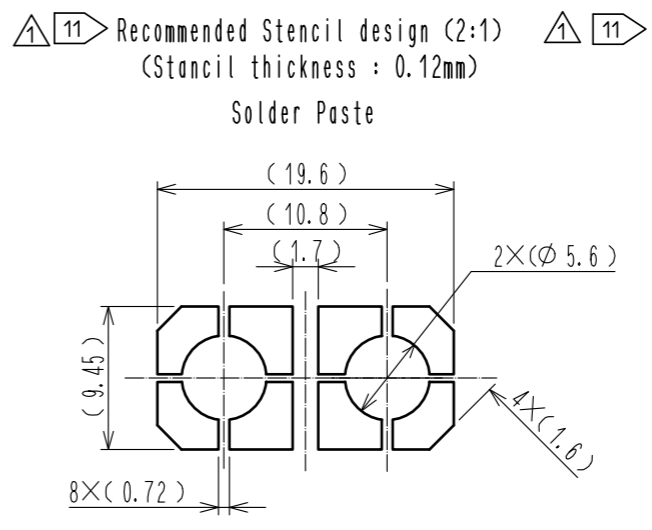
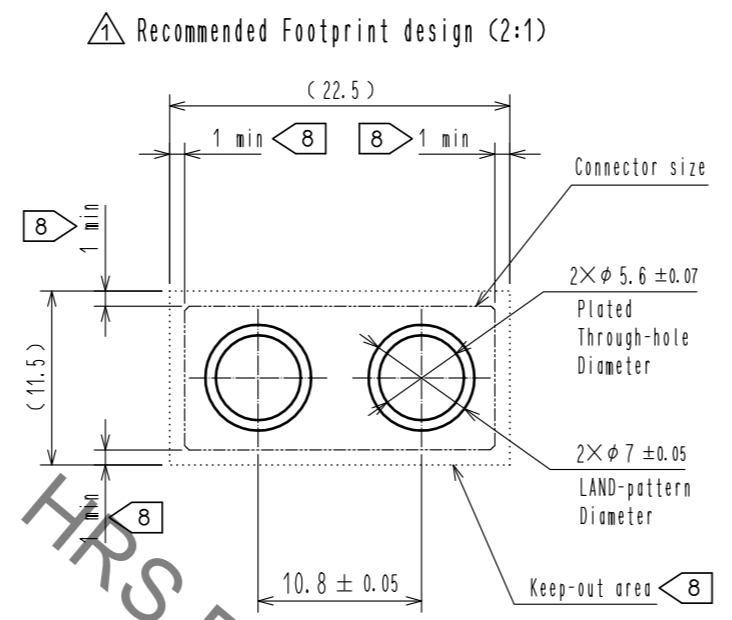
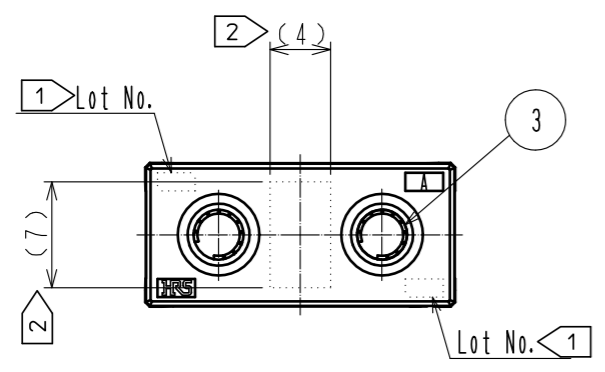
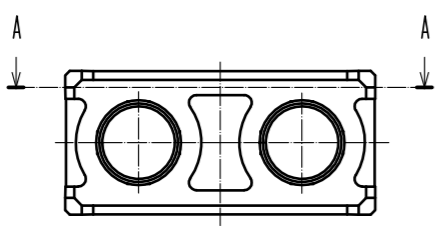
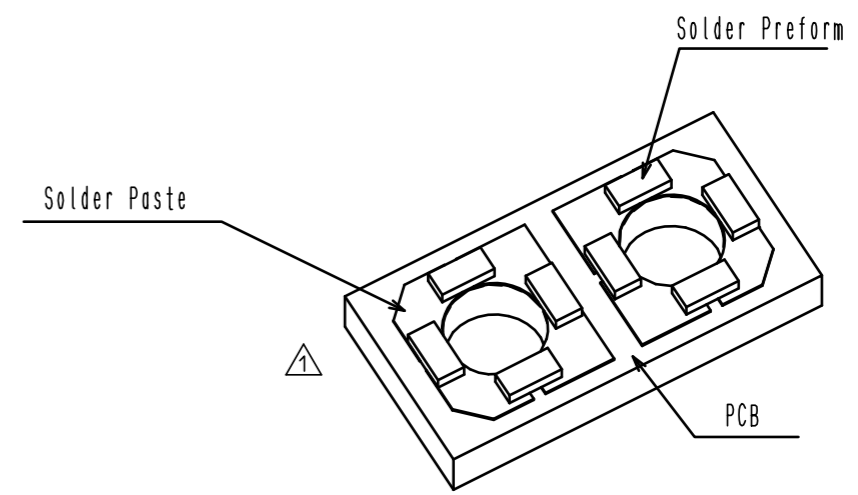
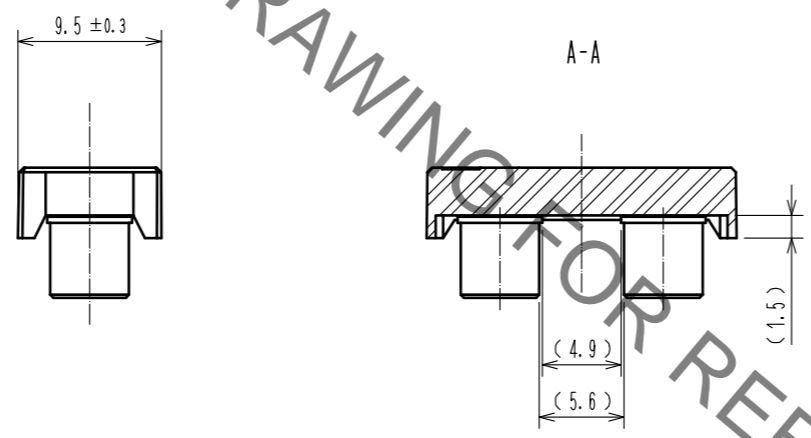
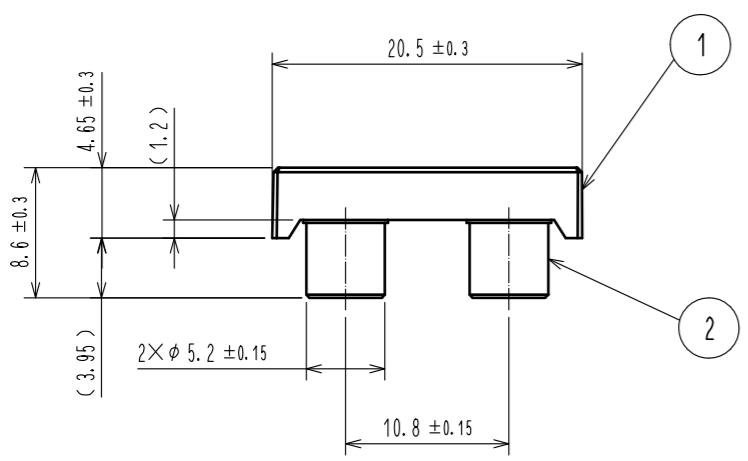
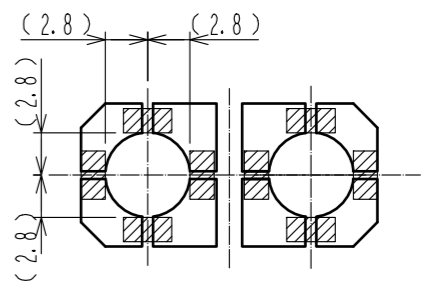


Jul.1.2021 Copyright 2021 HIROSE ELECTRIC CO., LTD. All Rights Reserved.  
 In case of consideration for using Automotive equipment / device which demand high reliability, kindly contact our sales window correspondents.



Recommended Solder Preform (2:1)  
 - Quantity : 4pcs/TH (8pcs/Conn)  
 - Individual Size : 3.2 x 1.6 x 0.8  
 - Position : See below



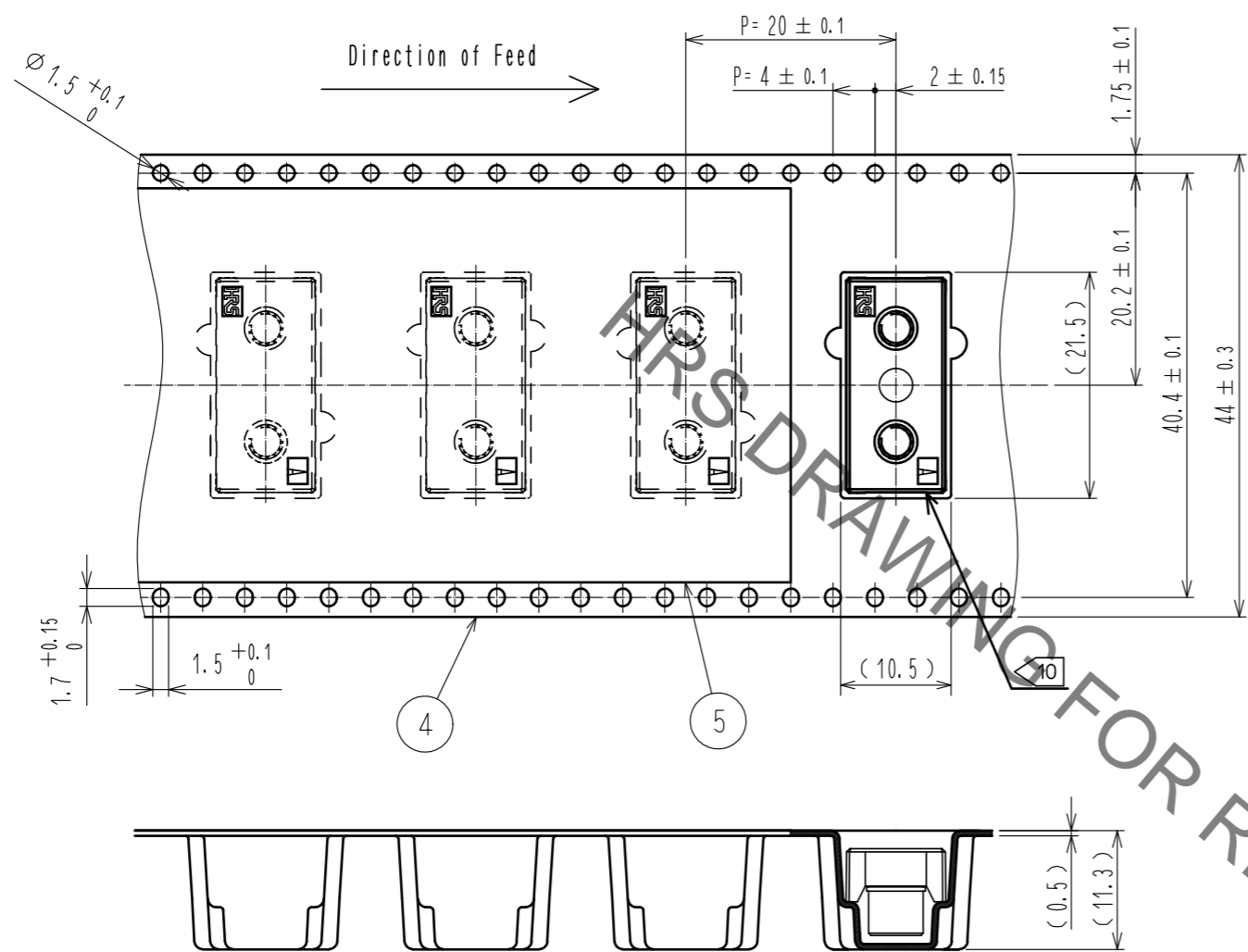
Notes:

- 1 The lot number is marked in this area. It may be marked on one or both areas.
- 2 Vacuum pickup area.
- 3 The dimensions in parentheses ( ) are for reference.
- 4 Scratches and/or punch marks left by the manufacturing process will not affect the product performance. Dark spots might occasionally occur on the molded plastic.
- 5 Prolonged exposure to the atmosphere may cause the silver plating to tarnish.
- 6 This product is symmetric along the center axis. The mounting orientation is optional.
- 7 This product is RoHS compliant.
- 8 Please do not mount other devices in this area.
- 9 Packing for this product is embossed carrier tape packing. (250pcs per reel)
- 10 Connector direction in the pocket may vary.
- 11 This connector can be soldered as part of the normal SMT process. Please use the solder preform design outlined above. For more detail on this process, please refer to the design guide (EATD-F0804-00).

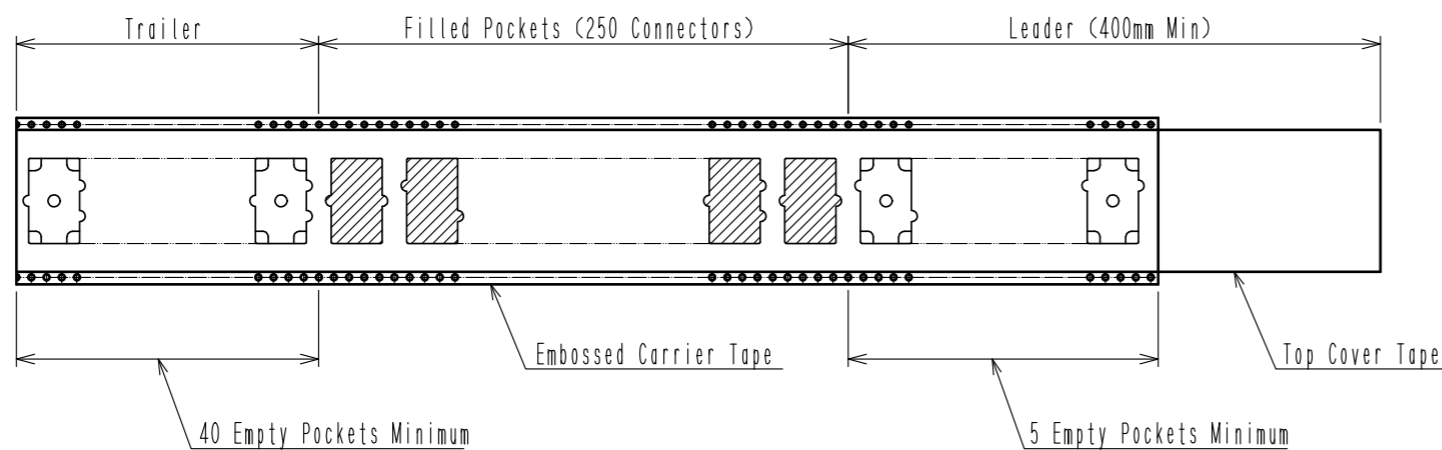
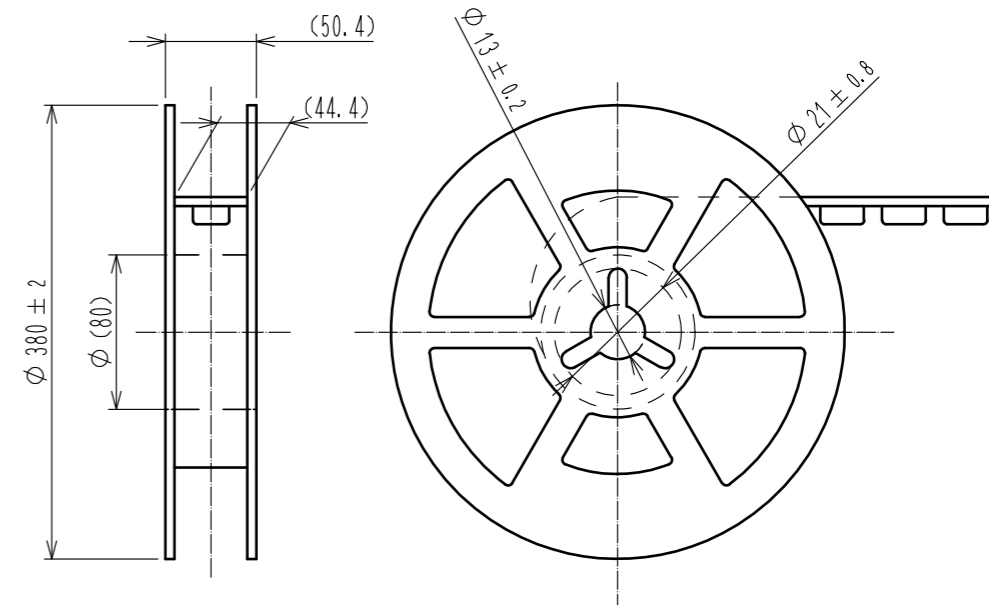
2	Brass	Over Plating : Silver 5.1µm min Under Plating : Nickel 3.5µm min	5	Polyester	(Top Cover Tape)
1	LCP	Black UL94V-0	4	Polystyrene	(Embossed Carrier Tape)
			3	Copper Alloy	Contact Area : Gold 0.76µm min Under Plating : Nickel 1.3µm min
NO.	MATERIAL	FINISH , REMARKS	NO.	MATERIAL	FINISH , REMARKS
UNITS	mm	SCALE 2 : 1	COUNT	7	DESCRIPTION OF REVISIONS
					DESIGNED AS. MATSUZAWA
					CHECKED MK. EZAKI
					DATE 20181030
APPROVED : MK. EZAKI		20150715	DRAWING NO. EDC-363448-00-00		
CHECKED : MK. EZAKI		20150715	PART NO. IT-PB-2S-DIRL		
DESIGNED : NY. SHIMURA		20150715	CODE NO. CL636-0631-0-00		
DRAWN : NY. SHIMURA		20150715			

Jul.1.2021 Copyright 2021 HIROSE ELECTRIC CO., LTD. All Rights Reserved.  
 In case of consideration for using Automotive equipment / device which demand high reliability, kindly contact our sales window correspondents.

Drawing For Packing (Not to Scale)



Reel Dimensions (Not to Scale)



<b>HRS</b>	DRAWING NO.	EDC-363448-00-00	2/2
	PART NO.	IT-PB-2S-DIRL	
	CODE NO.	CL636-0631-0-00	