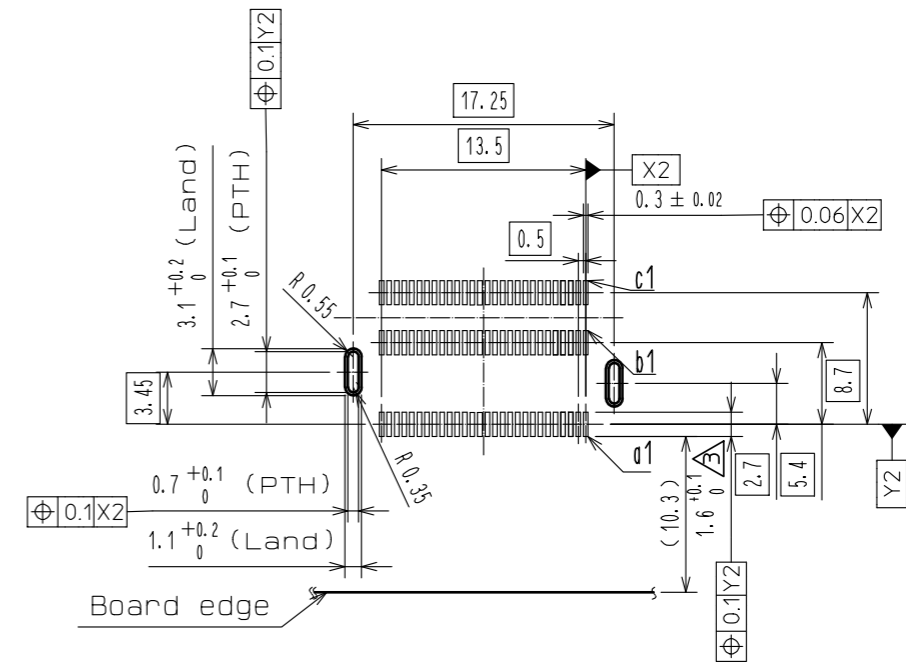
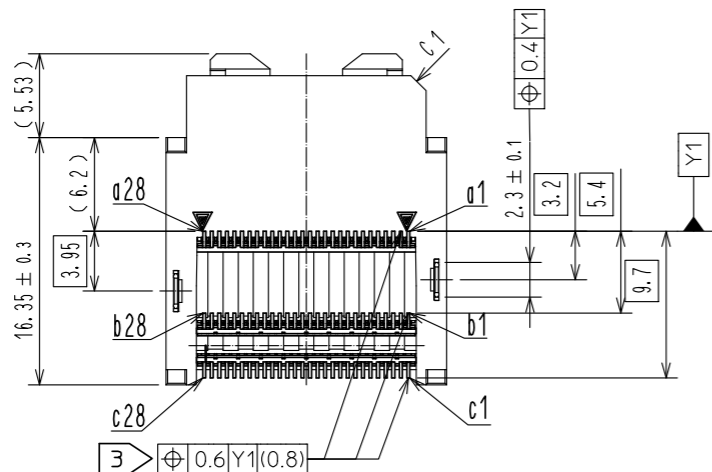
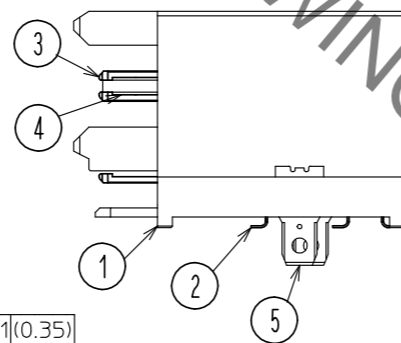
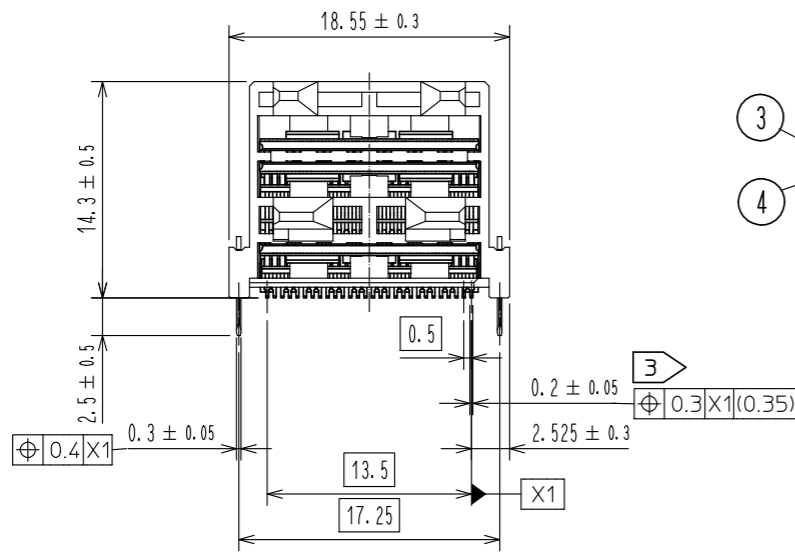
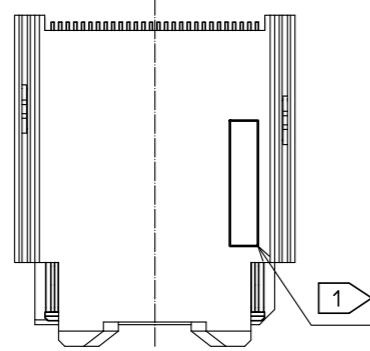
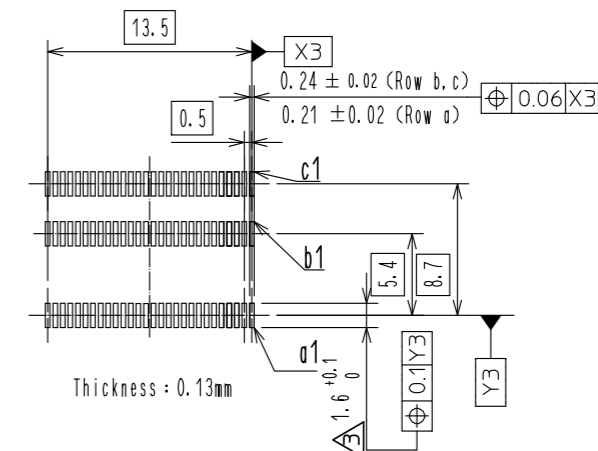


May.1.2021 Copyright 2021 HIROSE ELECTRIC CO., LTD. All Rights Reserved.  
In case of consideration for using Automotive equipment / device which demand high reliability, kindly contact our sales window correspondents.

RECOMMENDED LAND PATTERN DIMENSION OF PCB



RECOMMENDED STENCIL SIZE



HRS DRAWING FOR REFERENCE

NOTE

- ① Lot no. is marked on top of the connector.
- ② Maximum coplanarity is 0.13 mm.
- ③ ( ) tolerance indicated Row B and C SMT pin locations in the air for pick-and-place machine.
- ④ Standard package of 120pcs are packaged in a carton box.
- ⑤ This connector is sensitive to SMT pin locations and coplanarity. Handling this product with an automated machine is recommended. SMT pin locations and coplanarity can be damaged accidentally when inspection workers manually handle this connector. Please pay attention when picking up and placing back the connector into the tray. Scrap the connectors if a strong shock such as drop to the floor is applied to the connector or to the tray containing the connectors.

3	LCP	BLACK UL94V-0	6	HIPS	TRAY, BLACK
2	COPPER ALLOY	CONTACT AREA: NiP3 μm+AuP0.76 μm MOUNT AREA : NiP1 μm+AuP0.03 μm	5	COPPER ALLOY	NiP1 μm+SnP3 μm
1	LCP	BLACK UL94V-0	4	STAINLESS	-
NO.	MATERIAL	FINISH . REMARKS	NO.	MATERIAL	FINISH . REMARKS
UNITS mm		SCALE 2 : 1	COUNT 2	DESCRIPTION OF REVISIONS DIS-F-00002656	DESIGNED DK. AIMOTO
		APPROVED : MK. EZAKI	16.12.01	DRAWING NO.	EDC-364817-00-01
HIROSE ELECTRIC CO., LTD.		CHECED : MK. EZAKI	16.12.01	PART NO.	IT9M2-84P-0.5SH3
		DESIGNED : DK. AIMOTO	16.12.01	CODE NO.	CL636-1606-0-00
		DRAWN : DK. AIMOTO	16.12.01		
					DATE 17.09.19
					CHECKED MK. EZAKI

Datum indication correction

May.1.2021 Copyright 2021 HIROSE ELECTRIC CO., LTD. All Rights Reserved.  
In case of consideration for using Automotive equipment / device which demand high reliability, kindly contact our sales window correspondents.

DRAWING FOR PACKING (1:2)

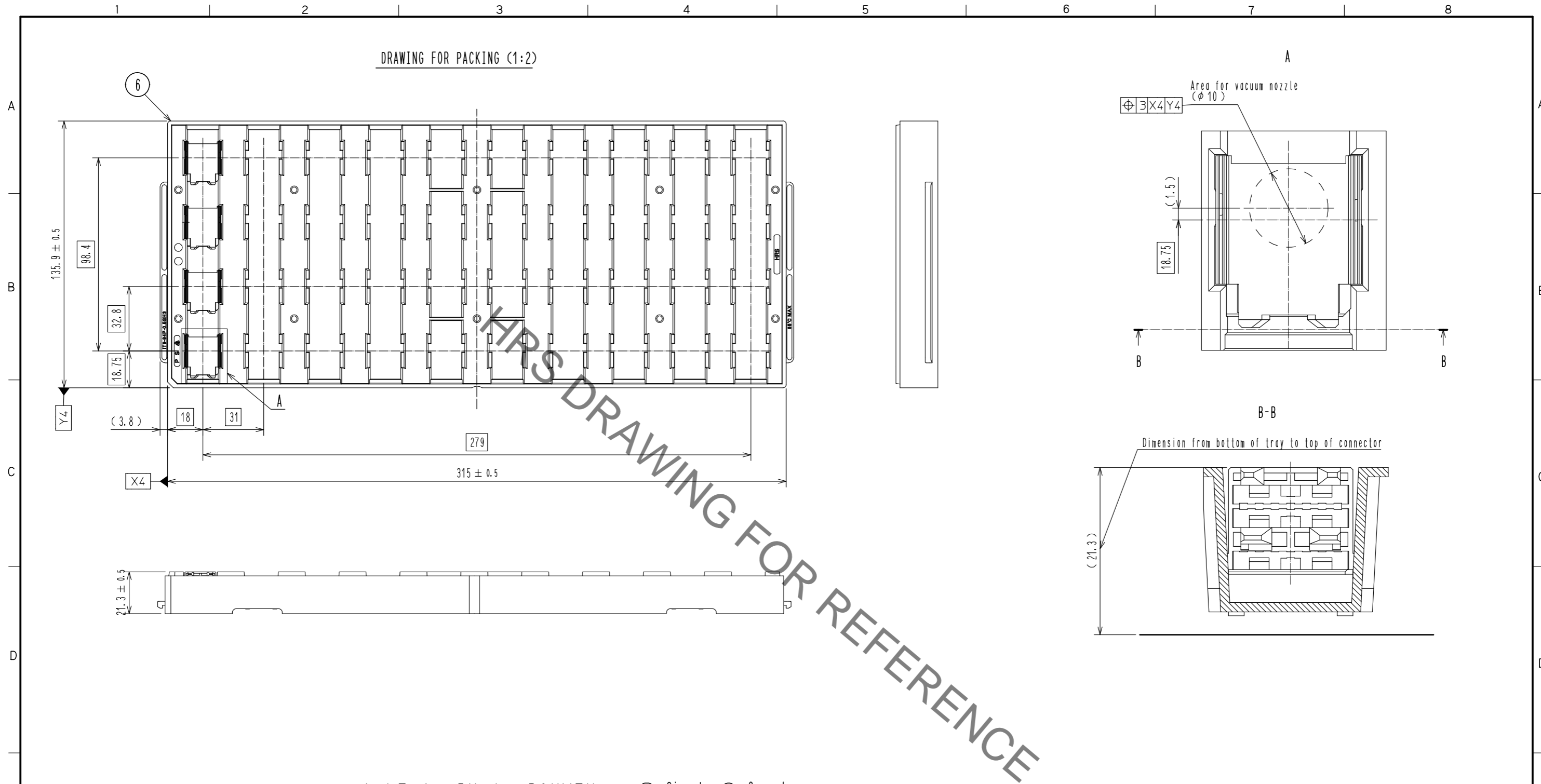


TABLE.1 PIN ASSIGNMENT S: Signal G: Ground

28	27	26	25	24	23	22	21	20	19	18	17	16	15	14	13	12	11	10	9	8	7	6	5	4	3	2	1	COLUMN
G	S	S	G	S	S	G	S	S	G	S	S	G	S	S	G	S	S	G	S	S	G	S	S	G	S	S	G	ROW C
G	S	S	G	S	S	G	S	S	G	S	S	G	S	S	G	S	S	G	S	S	G	S	S	G	S	S	G	ROW B
S	S	S	S	S	S	S	S	S	S	S	S	S	S	S	S	S	S	S	S	S	S	S	S	S	S	S	S	ROW A

<b>HRS</b>	DRAWING NO.	EDC-364817-00-01
	PART NO.	IT9M2-84P-0.5SH3
	CODE NO.	CL636-1606-0-00
		2/2