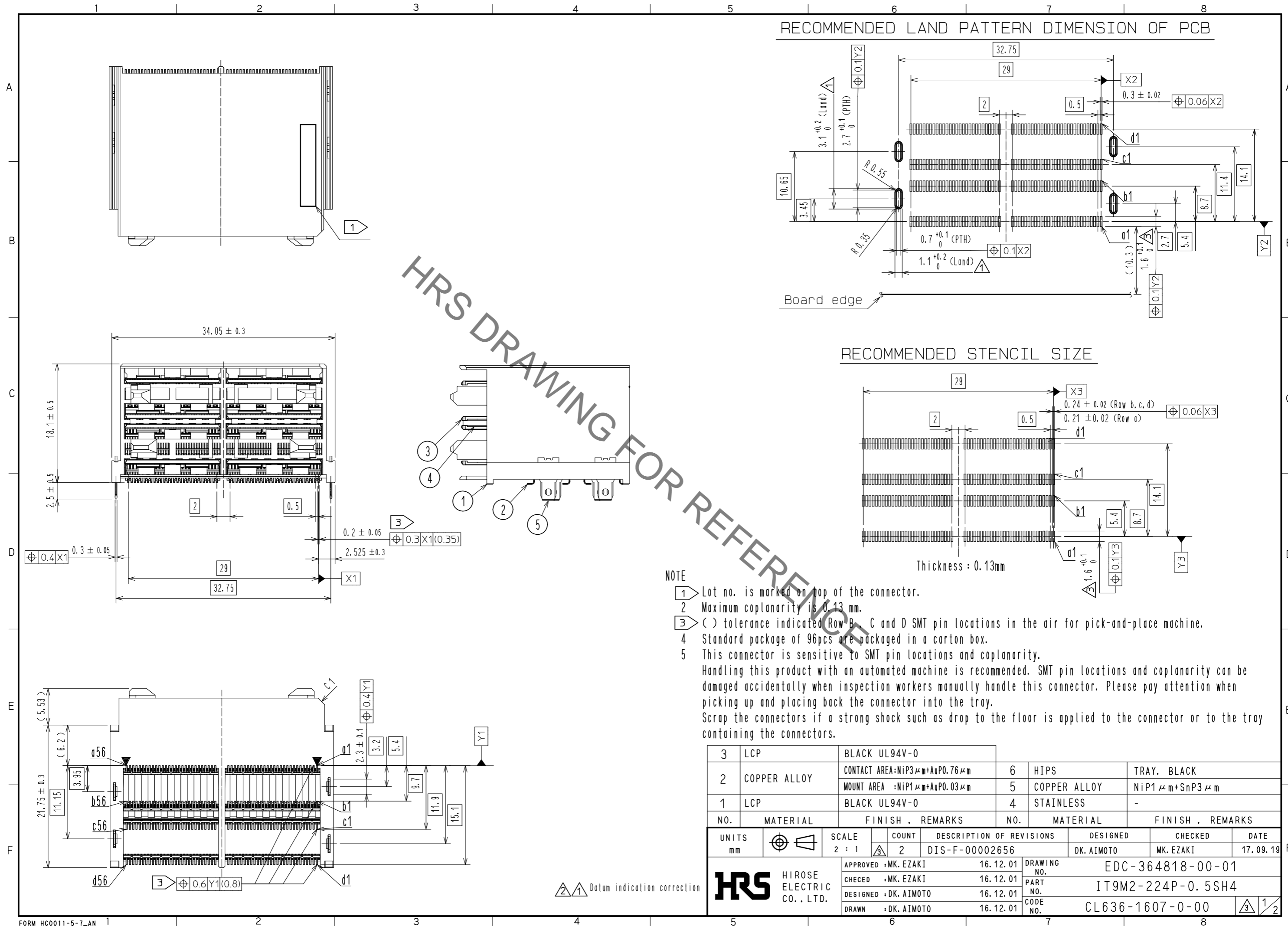


May.1.2021 Copyright 2021 HIROSE ELECTRIC CO., LTD. All Rights Reserved.
In case of consideration for using Automotive equipment / device which demand high reliability, kindly contact our sales window correspondents.



HRS DRAWING FOR REFERENCE

NOTE

- Lot no. is marked on top of the connector.
- Maximum coplanarity is 0.13 mm.
- () tolerance indicated Row B, C and D SMT pin locations in the air for pick-and-place machine.
- Standard package of 96pcs are packaged in a carton box.
- This connector is sensitive to SMT pin locations and coplanarity. Handling this product with an automated machine is recommended. SMT pin locations and coplanarity can be damaged accidentally when inspection workers manually handle this connector. Please pay attention when picking up and placing back the connector into the tray. Scrap the connectors if a strong shock such as drop to the floor is applied to the connector or to the tray containing the connectors.

3	LCP	BLACK UL94V-0	6	HIPS	TRAY, BLACK
2	COPPER ALLOY	CONTACT AREA: NiP3 μm + AuP0.76 μm MOUNT AREA : NiP1 μm + AuP0.03 μm	5	COPPER ALLOY	NiP1 μm + SnP3 μm
1	LCP	BLACK UL94V-0	4	STAINLESS	-
NO.	MATERIAL	FINISH . REMARKS	NO.	MATERIAL	FINISH . REMARKS
UNITS mm		SCALE 2 : 1	COUNT 2	DESCRIPTION OF REVISIONS DIS-F-00002656	DESIGNED DK. AIMOTO
		APPROVED : MK. EZAKI	16.12.01	DRAWING NO.	EDC-364818-00-01
HIROSE ELECTRIC CO., LTD.		CHECKED : MK. EZAKI	16.12.01	PART NO.	IT9M2-224P-0.5SH4
		DESIGNED : DK. AIMOTO	16.12.01	CODE NO.	CL636-1607-0-00
		DRAWN : DK. AIMOTO	16.12.01		

Datum indication correction

May.1.2021 Copyright 2021 HIROSE ELECTRIC CO., LTD. All Rights Reserved.
In case of consideration for using Automotive equipment / device which demand high reliability, kindly contact our sales window correspondents.

DRAWING FOR PACKING (1:2)

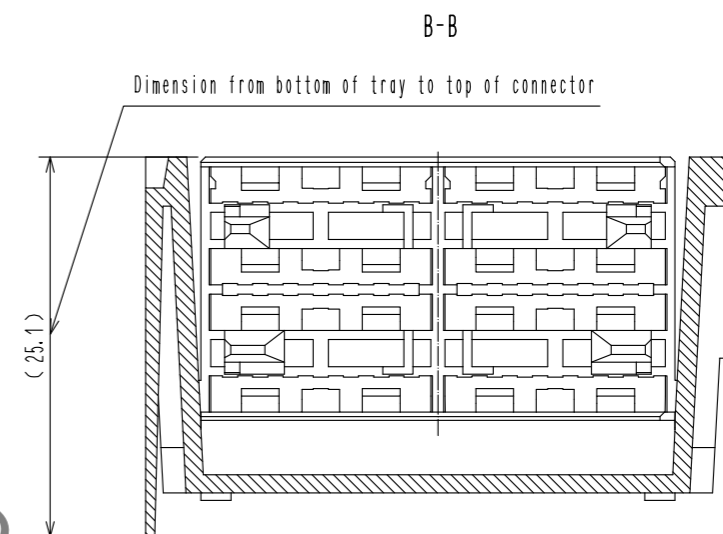
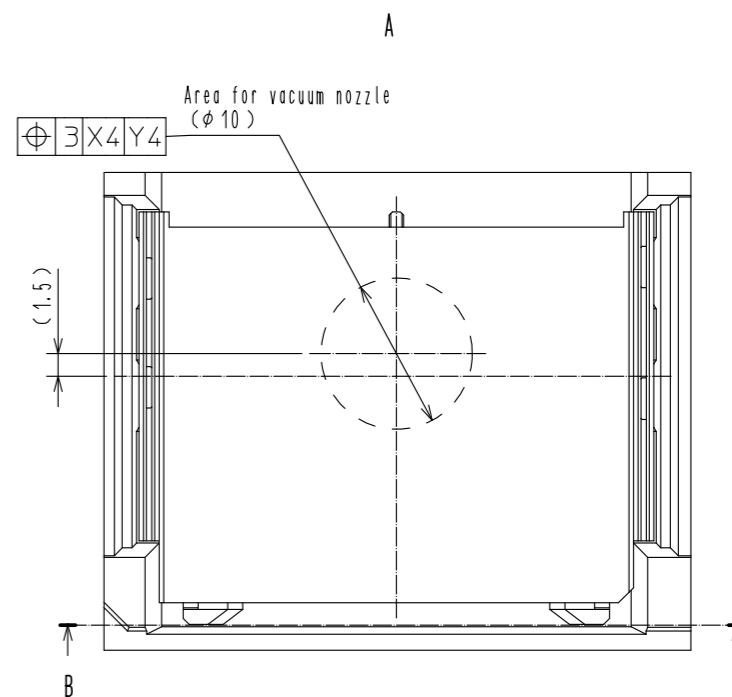
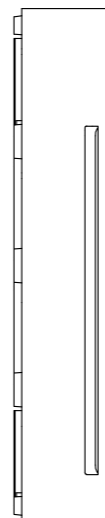
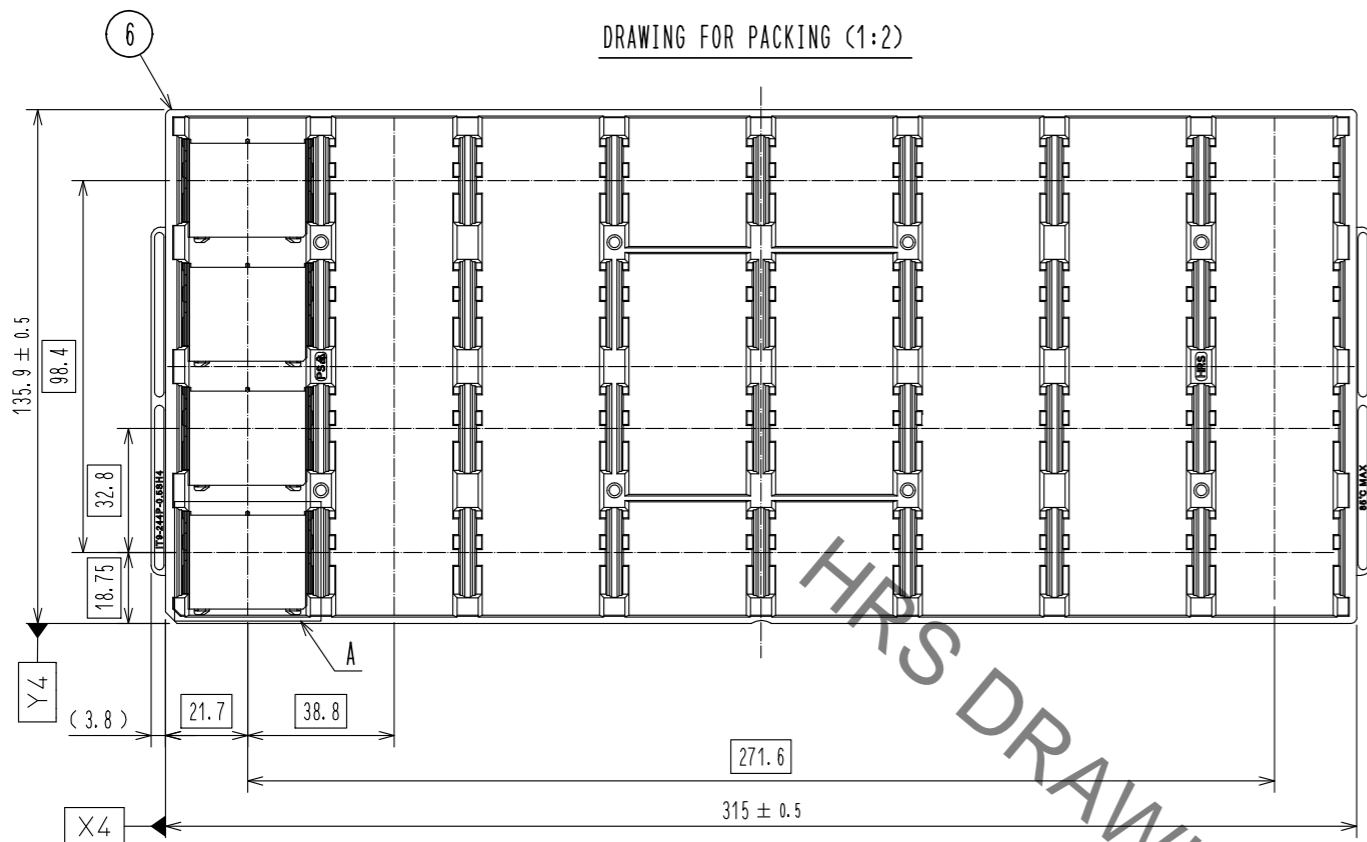


TABLE.1 PIN ASSIGNMENT S: Signal G: Ground

56	55	54	53	52	51	50	49	48	47	46	45	44	43	42	41	40	39	38	37	36	35	34	33	32	31	30	29	Column	
S	S	S	S	S	S	S	S	S	S	S	S	S	S	S	S	S	S	S	S	S	S	S	S	S	S	S	S	S	Row d
G	S	S	G	S	S	G	S	S	G	S	S	G	S	S	G	S	S	G	S	S	G	S	S	G	S	S	G	Row c	
G	S	S	G	S	S	G	S	S	G	S	S	G	S	S	G	S	S	G	S	S	G	S	S	G	S	S	G	Row b	
G	S	S	G	S	S	G	S	S	G	S	S	G	S	S	G	S	S	G	S	S	G	S	S	G	S	S	G	Row a	

28	27	26	25	24	23	22	21	20	19	18	17	16	15	14	13	12	11	10	9	8	7	6	5	4	3	2	1	Column
S	S	S	S	S	S	S	S	S	S	S	S	S	S	S	S	S	S	S	S	S	S	S	S	S	S	S	S	Row d
G	S	S	G	S	S	G	S	S	G	S	S	G	S	S	G	S	S	G	S	S	G	S	S	G	S	S	G	Row c
G	S	S	G	S	S	G	S	S	G	S	S	G	S	S	G	S	S	G	S	S	G	S	S	G	S	S	G	Row b
G	S	S	G	S	S	G	S	S	G	S	S	G	S	S	G	S	S	G	S	S	G	S	S	G	S	S	G	Row a

HRS	DRAWING NO.	EDC-364818-00-01
	PART NO.	IT9M2-224P-0.5SH4
	CODE NO.	CL636-1607-0-00
		3/2