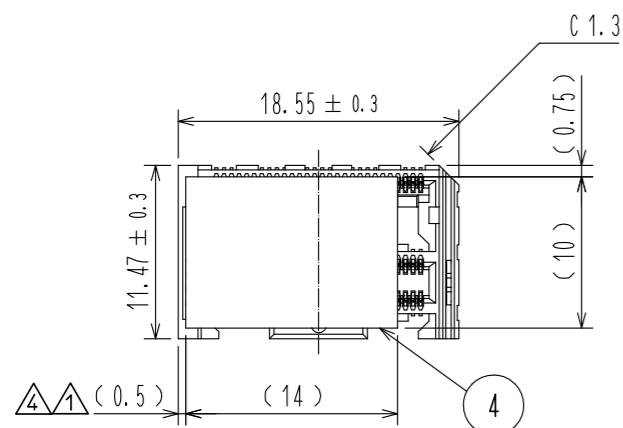
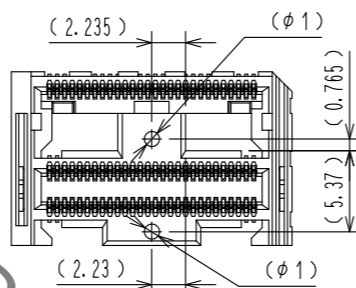


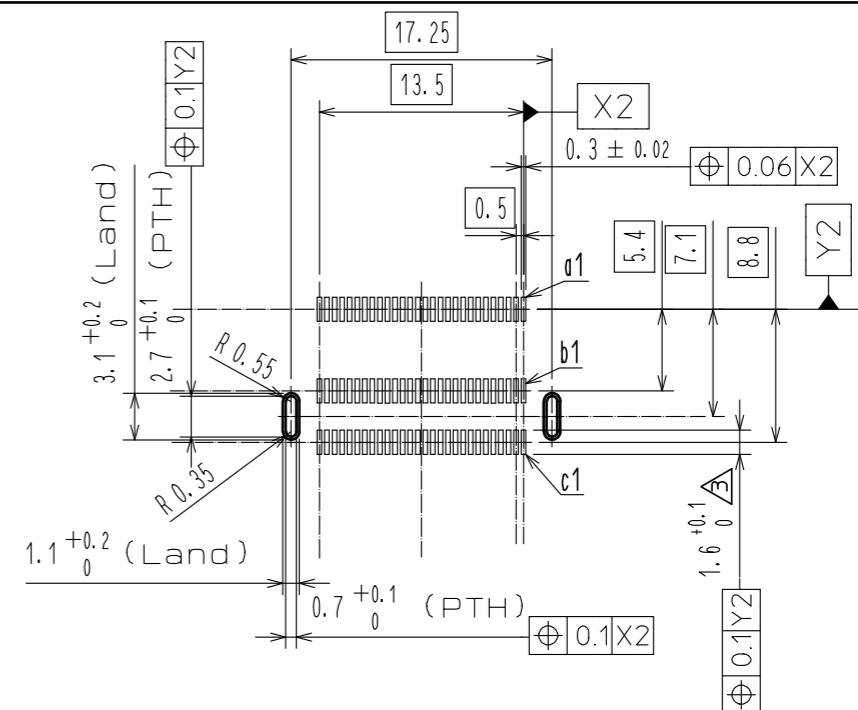
May.1.2021 Copyright 2021 HIROSE ELECTRIC CO., LTD. All Rights Reserved.
In case of consideration for using Automotive equipment / device which demand high reliability, kindly contact our sales window correspondents.



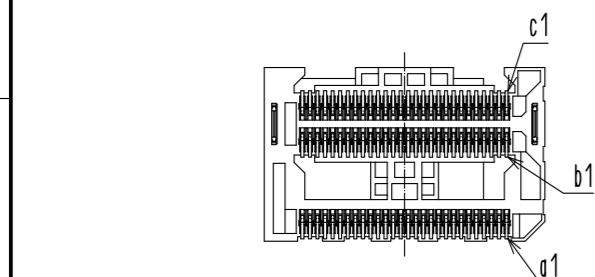
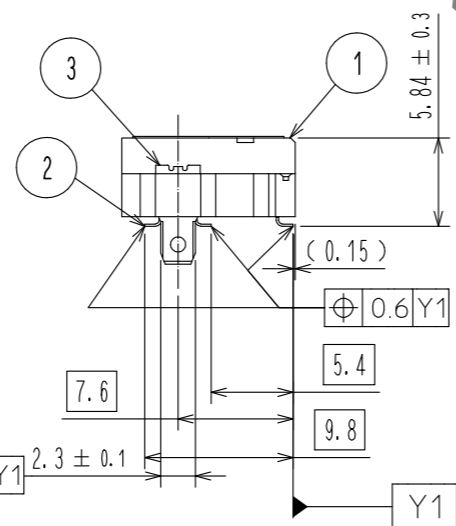
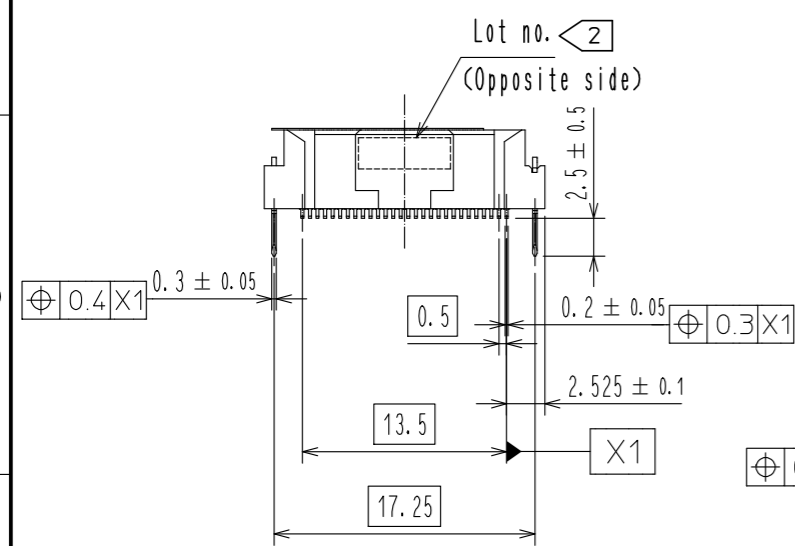
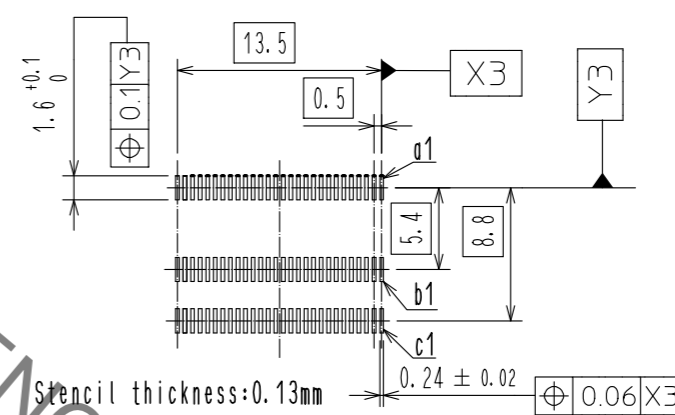
△ LOCATION MARK



RECOMMENDED LAND PATTERN DIMENSION OF PCB



RECOMMENDED STENCIL SIZE



- NOTES. 1. () indicates a reference dimension.
 2. Lot no. is marked on the indicated position.
 3. Maximum coplanarity is 0.13mm.
 4. Standard package of 450pcs are packaged in a embossed carrier tape.

4	NOMEX	(TAPE FOR VACCUUM PICK AND PLACE)	5	PS	(EMBOSSD CARRIER TAPE)		
3	COPPER ALLOY	NiP1 μm+SnP3 μm	2	COPPER ALLOY	CONTACT AREA: NiP 3 μm+ AuP0.76 μm		
1	LCP	BLACK UL94V-0			MOUNT AREA: NiP 1 μm+AuP0.03 μm		
NO.	MATERIAL	FINISH . REMARKS	NO.	MATERIAL	FINISH . REMARKS		
UNITS mm	⊕	SCALE 2 : 1	COUNT 1	DESCRIPTION OF REVISIONS DIS-F-00002750	DESIGNED DK. AIMOTO	CHECKED TM. MATSUO	DATE 17. 10. 23
APPROVED : MK. EZAKI		16. 12. 05		DRAWING NO. EDC-369004-00-01			
CHECKED : MK. EZAKI		16. 12. 05		PART NO. IT9M2-84S-0. 5SV3			
DESIGNED : AS. MATSUZAWA		16. 12. 05		CODE NO. CL636-1610-0-00			
DRAWN : AS. MATSUZAWA		16. 12. 05		1/2			

△ Datum indication correction

May.1.2021 Copyright 2021 HIROSE ELECTRIC CO., LTD. All Rights Reserved.
 In case of consideration for using Automotive equipment / device which demand high reliability, kindly contact our sales window correspondents.

Fig.1 Drawing for packaging (Free)

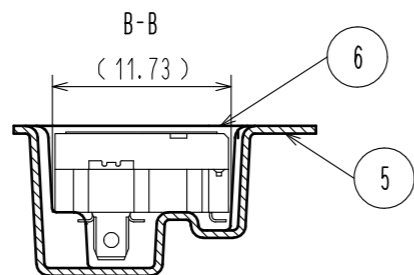
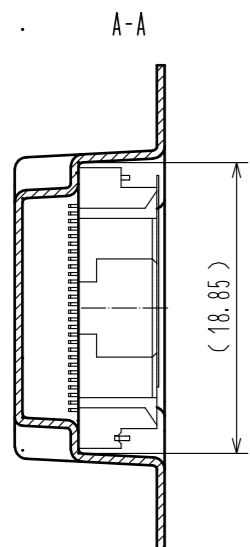
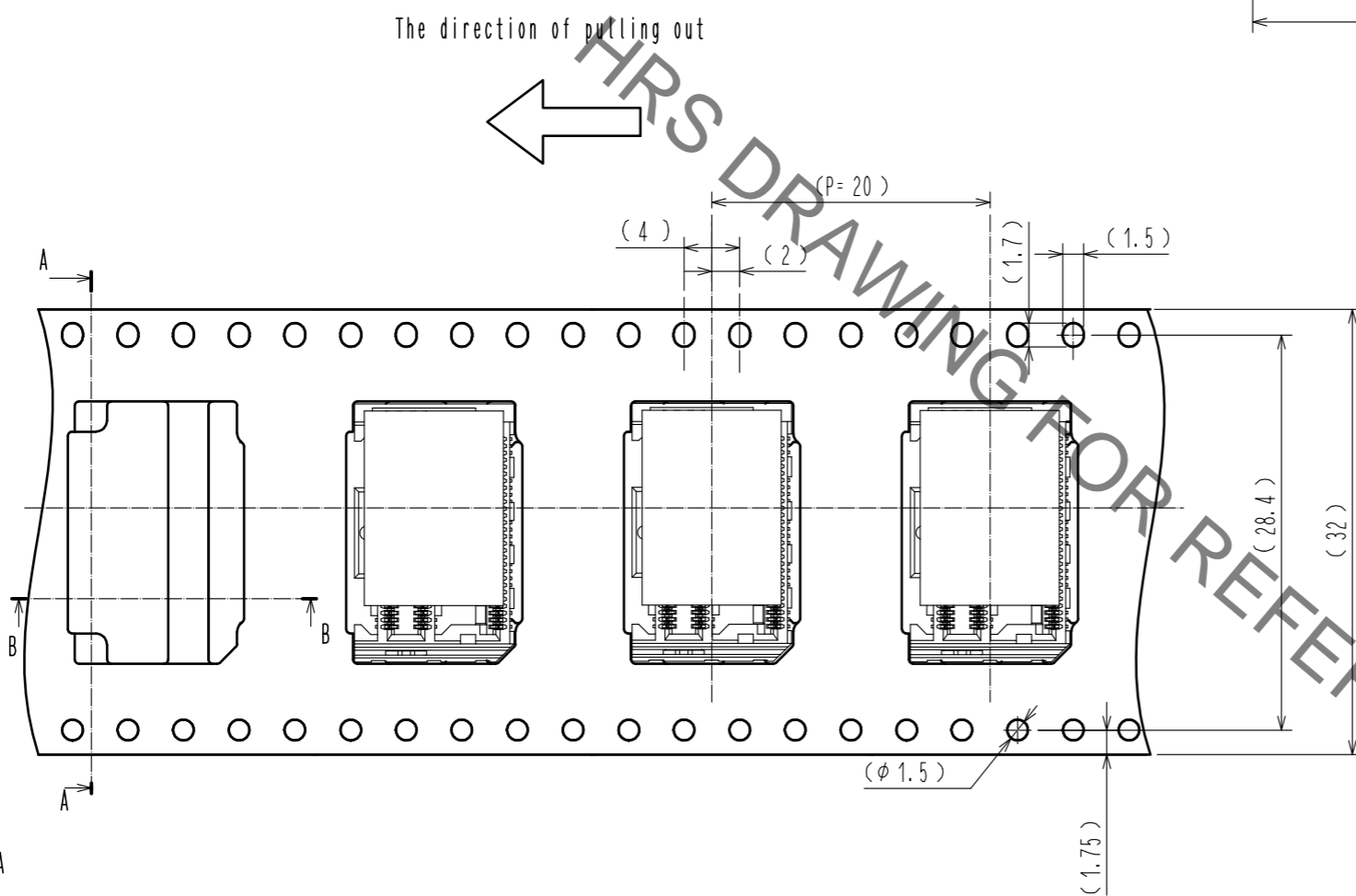


Fig.2 Tape leader & trailer dimensions (Free)

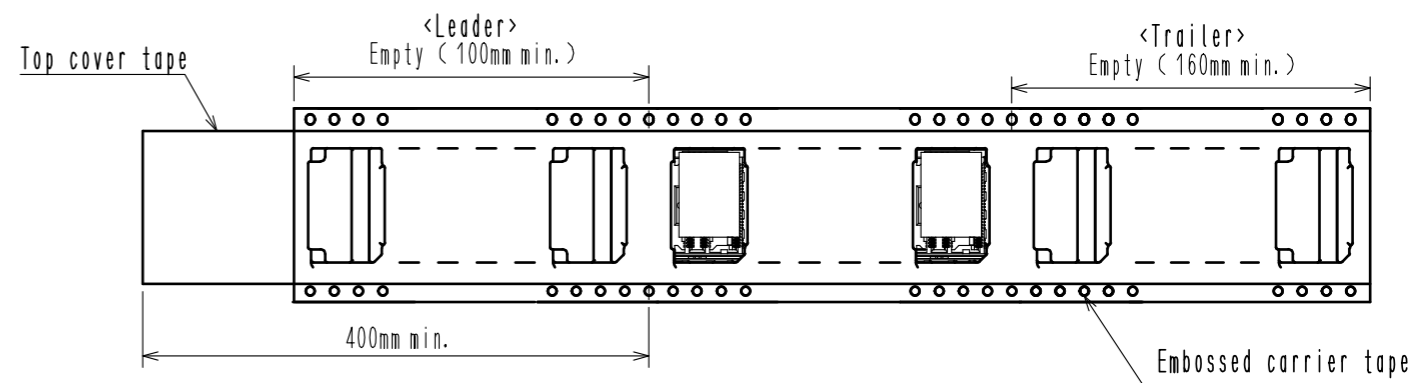
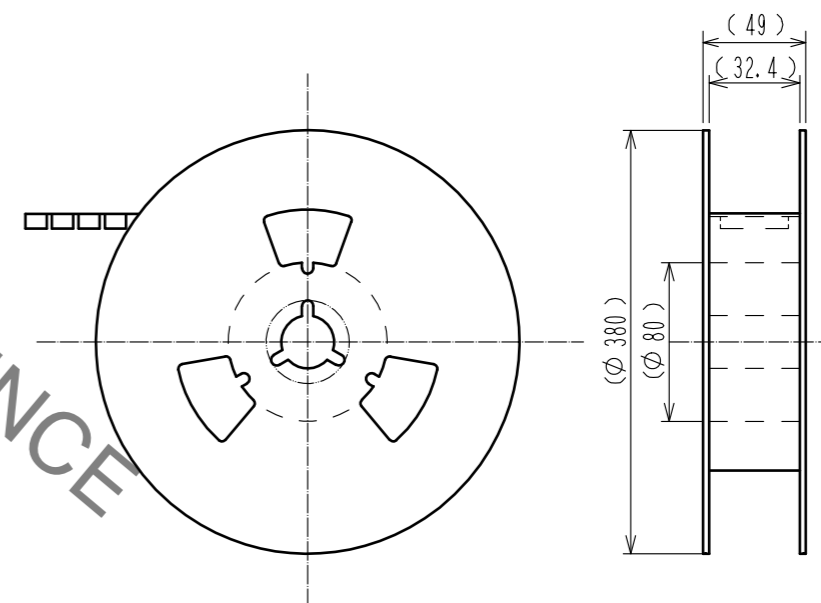


Fig.3 Detail of reel (Free)



HRS	DRAWING NO.	EDC-369004-00-01
	PART NO.	IT9M2-84S-0.5SV3
	CODE NO.	CL636-1610-0-00
		4/2