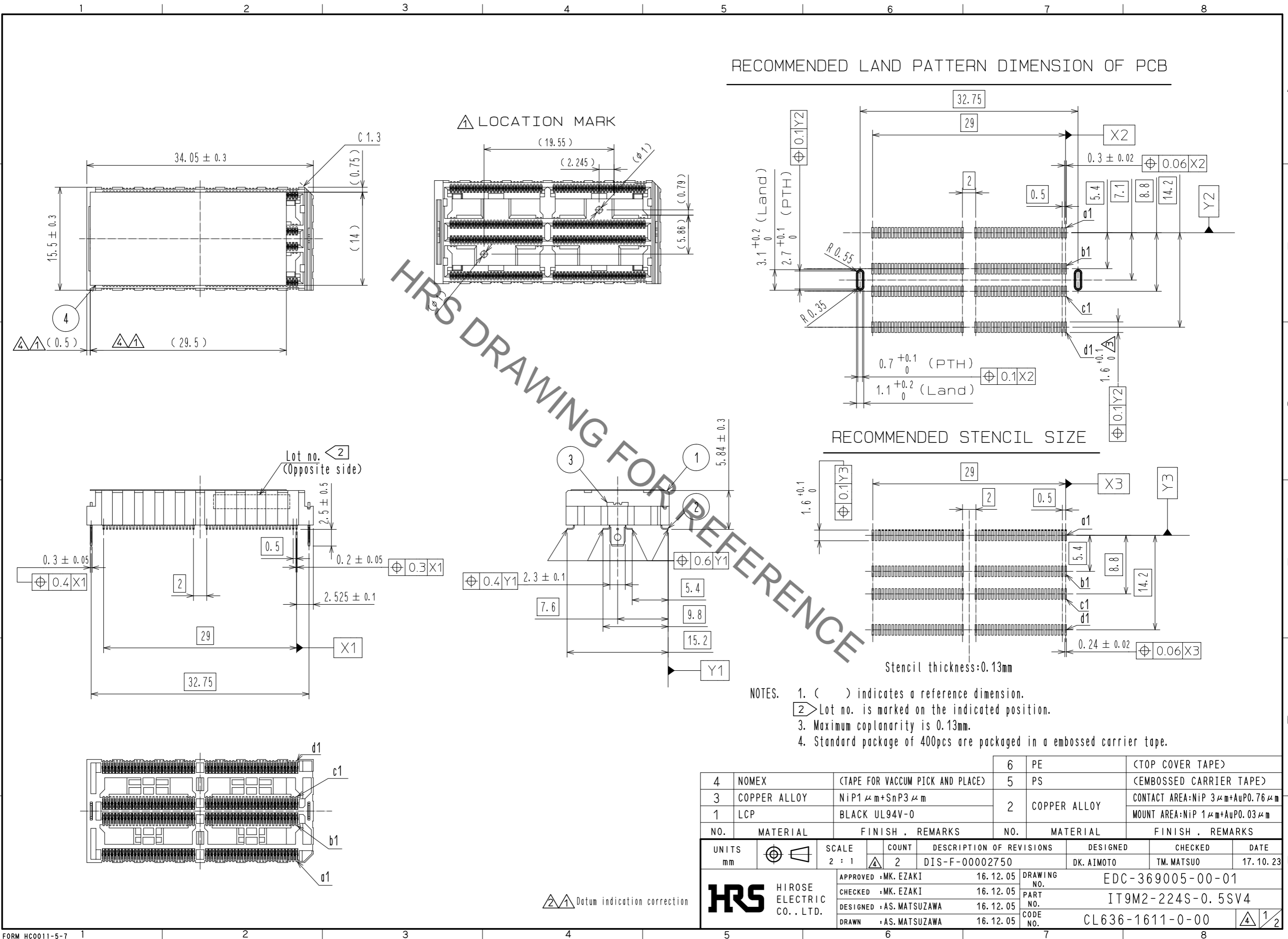


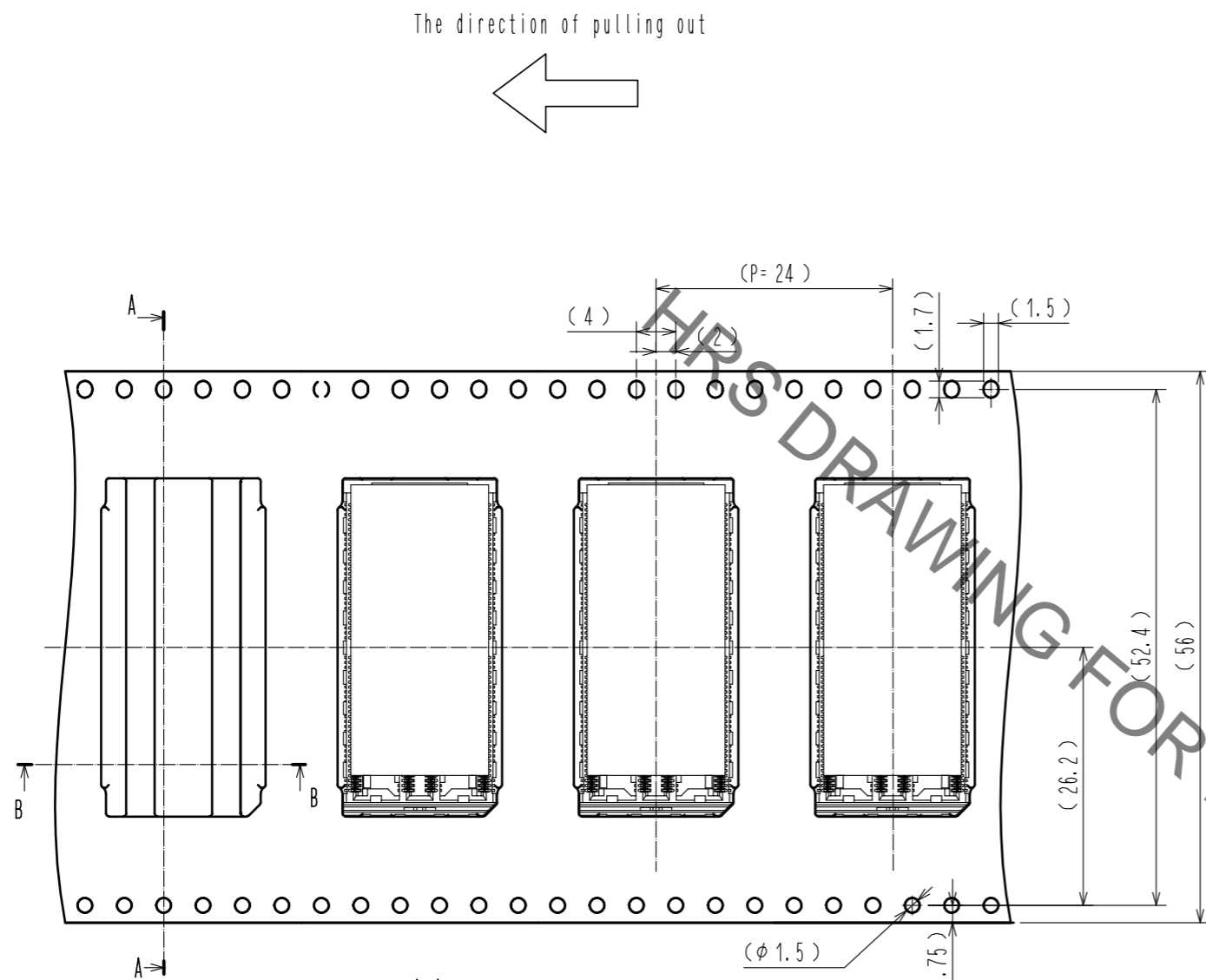
May.1.2021 Copyright 2021 HIROSE ELECTRIC CO., LTD. All Rights Reserved.
In case of consideration for using Automotive equipment / device which demand high reliability, kindly contact our sales window correspondents.



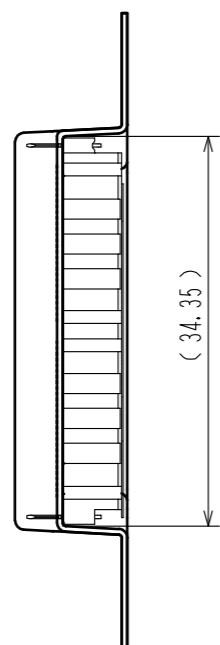
4	NOMEX	(TAPE FOR VACUUM PICK AND PLACE)	6	PE	(TOP COVER TAPE)		
3	COPPER ALLOY	NiP1 μm+SnP3 μm	5	PS	(EMBOSSED CARRIER TAPE)		
1	LCP	BLACK UL94V-0	2	COPPER ALLOY	CONTACT AREA: NiP 3 μm+AuP0.76 μm MOUNT AREA: NiP 1 μm+AuP0.03 μm		
NO.	MATERIAL	FINISH . REMARKS	NO.	MATERIAL	FINISH . REMARKS		
UNITS mm		SCALE 2 : 1	COUNT 2	DESCRIPTION OF REVISIONS DIS-F-00002750	DESIGNED DK. AIMOTO	CHECKED TM. MATSUO	DATE 17. 10. 23
APPROVED : MK. EZAKI 16. 12. 05			DRAWING NO. EDC-369005-00-01				
CHECKED : MK. EZAKI 16. 12. 05			PART NO. IT9M2-224S-0.5SV4				
DESIGNED : AS. MATSUZAWA 16. 12. 05			CODE NO. CL636-1611-0-00				
DRAWN : AS. MATSUZAWA 16. 12. 05							

May.1.2021 Copyright 2021 HIROSE ELECTRIC CO., LTD. All Rights Reserved.
 In case of consideration for using Automotive equipment / device which demand high reliability, kindly contact our sales window correspondents.

Fig.1 Drawing for packaging (Free)



A-A



B-B

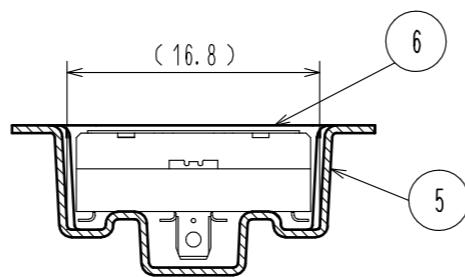


Fig.2 Tape leader & trailer dimensions (Free)

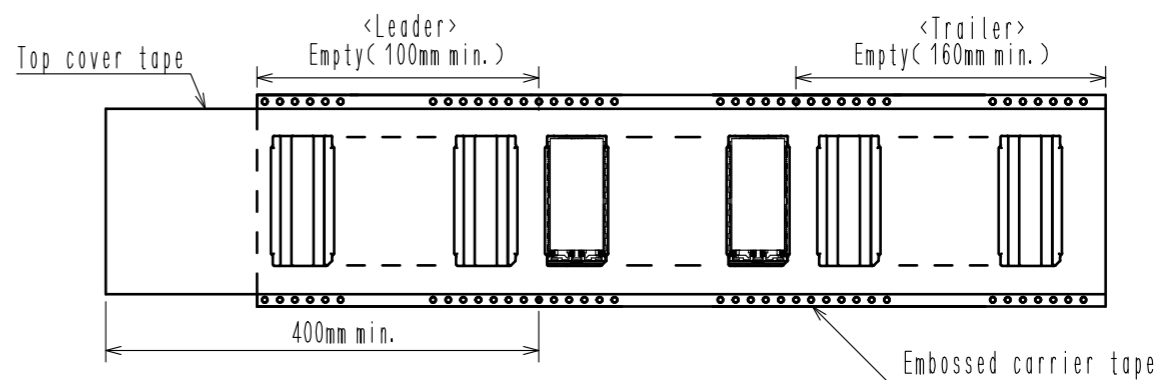
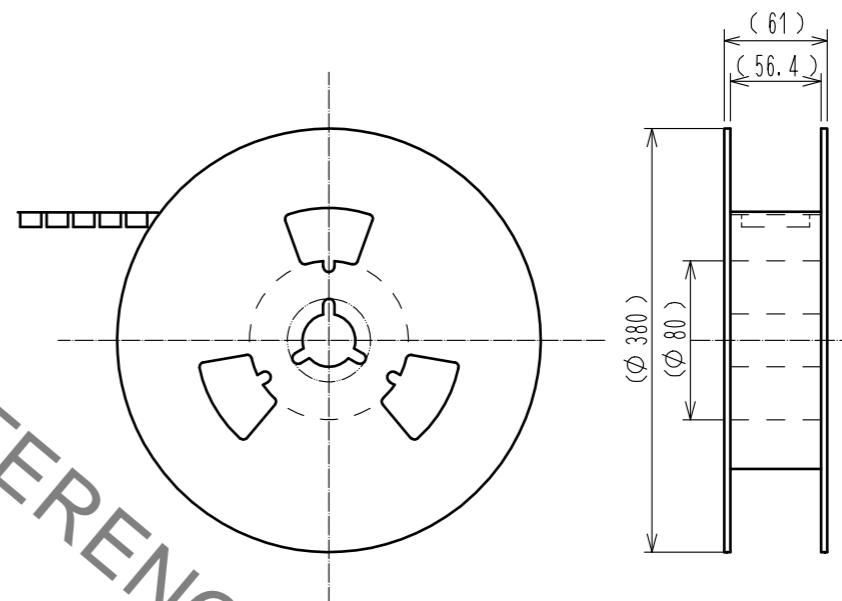


Fig.3 Detail of reel (Free)



DRAWING NO.	EDC-369005-00-01
PART NO.	IT9M2-224S-0.5SV4
CODE NO.	CL636-1611-0-00

2/2