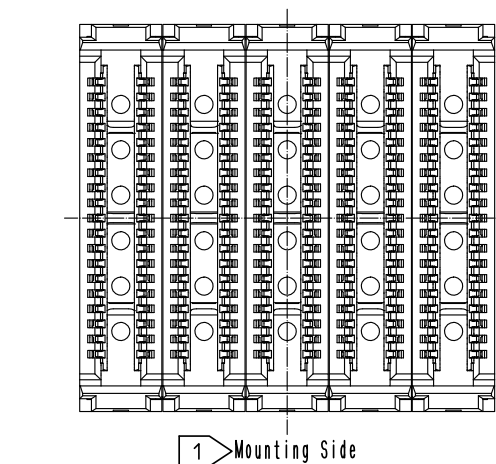
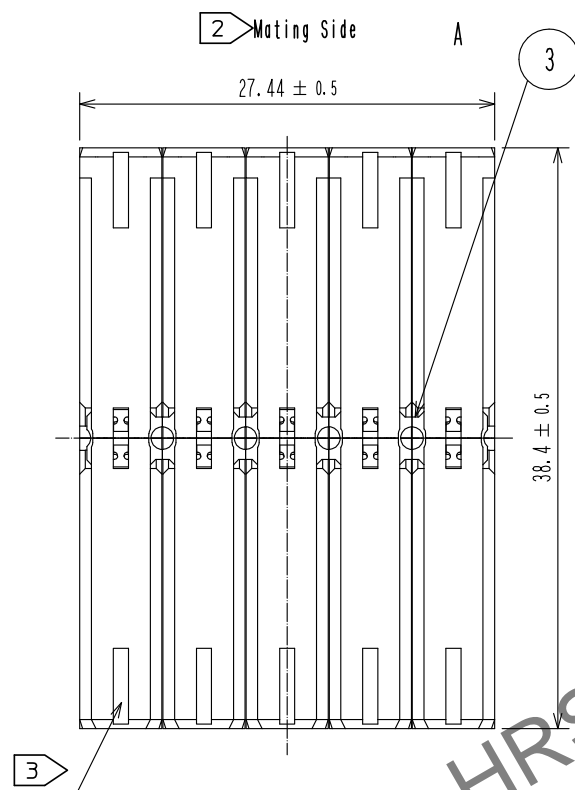
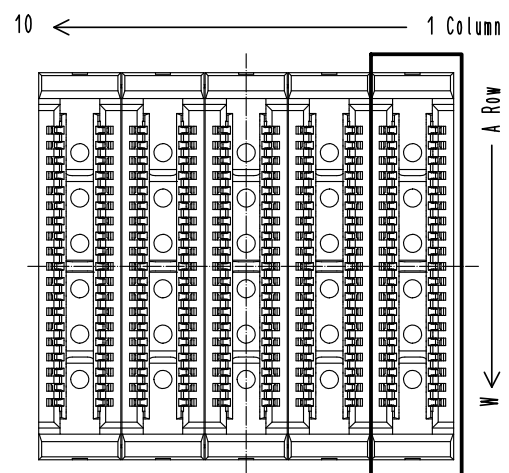


Jan.1.2025 Copyright 2025 HIROSE ELECTRIC CO., LTD. All Rights Reserved.
 In case of consideration for using Automotive equipment / device which demand high reliability, kindly contact our sales window correspondents.

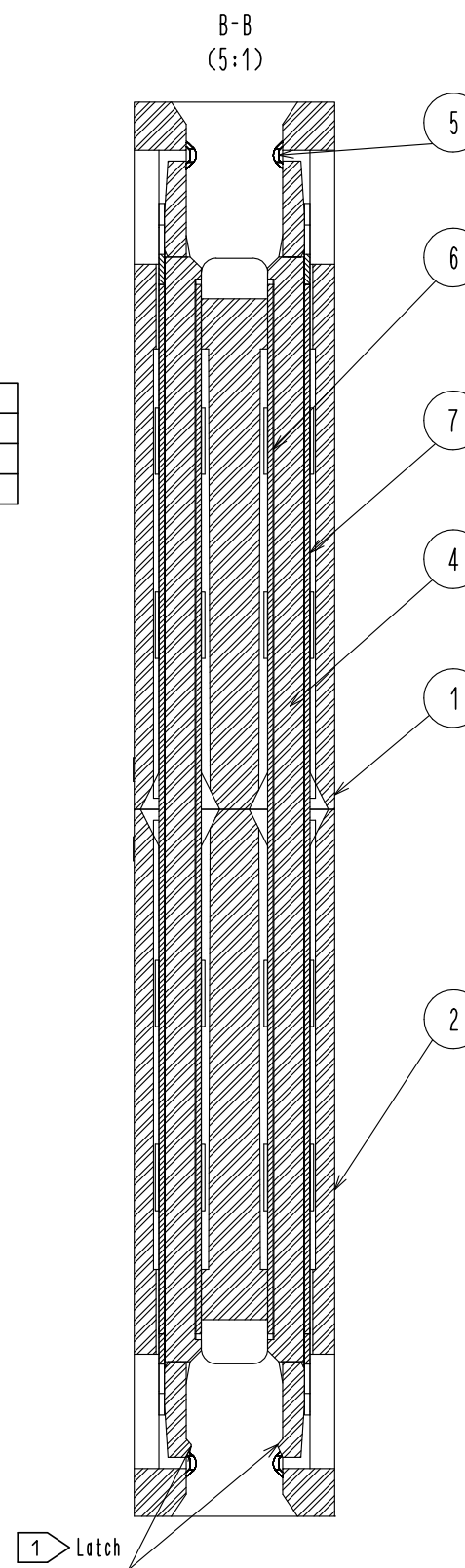
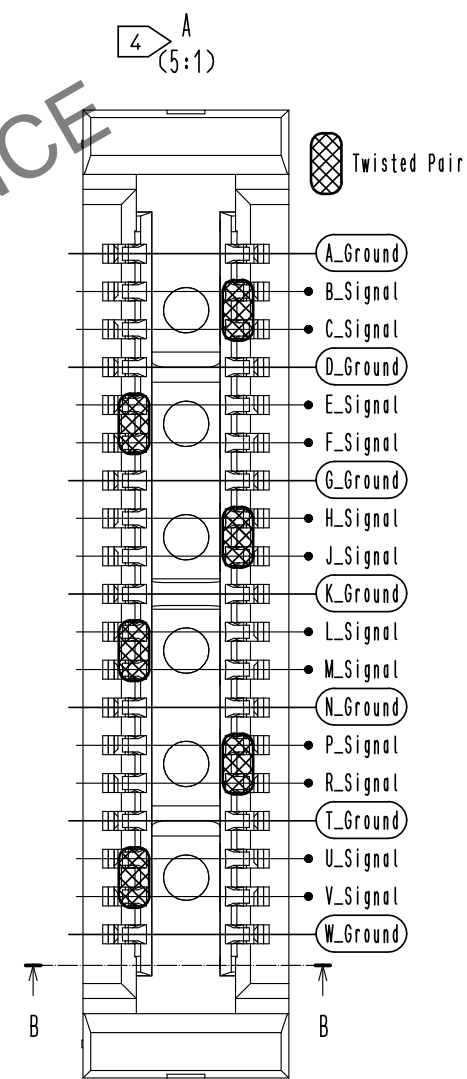
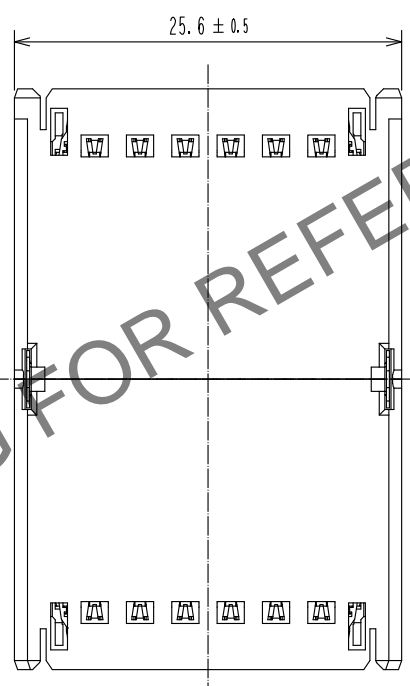


Note.

- 1 Mounting side is mated with Plug-M:IT8M-120P-BGA-H(**) and fixed with the latch.
- 2 Mating side is mated with Plug-D:IT8D-120P-BGA-H(**).
- 3 Lot No. shall be marked at the indicated position.
- 4 IT8 Series apply GSSG. pin assign as shown. Twisted pairs are indicated by the hatch marks. Twisted pairs are twisted in the center to reduce FEXT.
- 5 The indicated mother board and daughter card shall be fastened to the additional reinforcements to prevent the stress on IT8*-120P-BGA-H(**) solder joints.
- 6 This product consists of 120 signal contacts and 70 ground contacts.
- 7 The spacer height of this product assembled with mounted IT8M-120P-BGA-H(**) and IT8D-120P-BGA-H(**) shall be indicated in Table 1.

Table 1 Spacer height

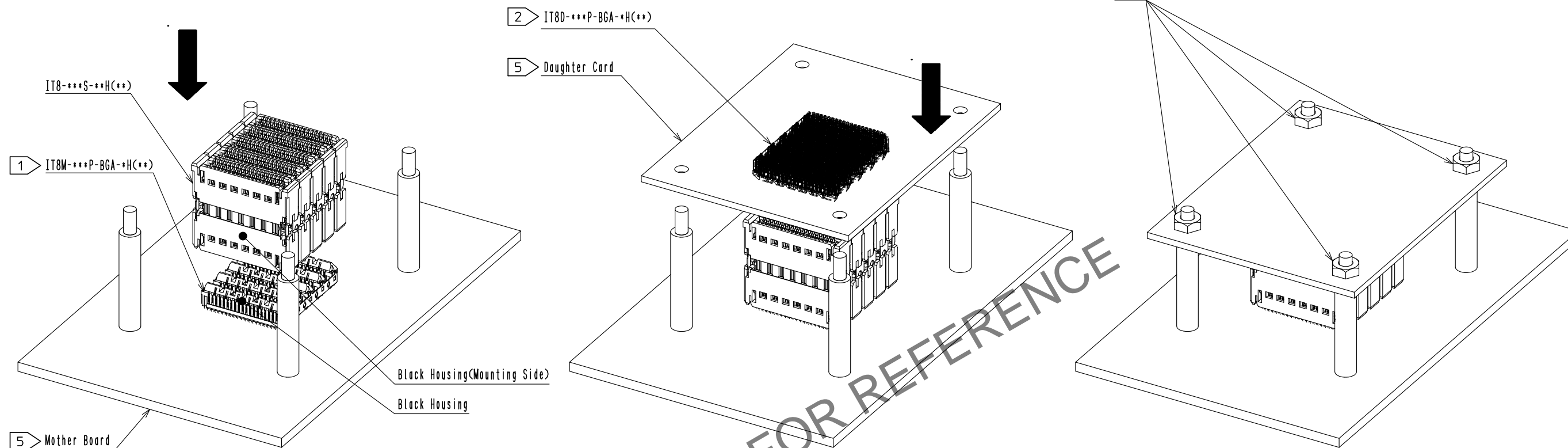
Spacer height (X)	41	42	43
Plug-D (Detachable Side)	IT8D-***P-BGA-OH(**)	IT8D-***P-BGA-OH(**)	IT8D-***P-BGA-1H(**)
Interposer	IT8-***S-41H(**)		
Plug-M (Mounting Side)	IT8M-***P-BGA-OH(**)	IT8M-***P-BGA-1H(**)	IT8M-***P-BGA-1H(**)



4	LCP	BLACK. UL94V-0	7	SUS	
3	SUS		6	SUS	
2	PPS	BLACK. UL94V-0	5	Copper Alloy	Contact area:Nickel 1.27µm min.+Gold 0.76µm min.
1	PPS	GRAY. UL94V-0			Other area:Nickel 1.27µm min.
NO.	MATERIAL	FINISH . REMARKS	NO.	MATERIAL	FINISH . REMARKS
UNITS mm		SCALE 2 : 1	COUNT	DESCRIPTION OF REVISIONS	
DESIGNED		CHECKED		DATE	
APPROVED : TM. MATSUO 17.07.28			DRAWING NO. EDC-374891-00-00		
CHECKED : YS. TAKEUCHI 17.07.28			PART NO. IT8-120S-41H		
DESIGNED : TH. SANO 17.07.26			CODE NO. CL636-3520-0-00		
DRAWN : CHUNKAI YANG 17.07.26			1/2		

Jan.1.2025 Copyright 2025 HIROSE ELECTRIC CO., LTD. All Rights Reserved.
 In case of consideration for using Automotive equipment / device which demand high reliability, kindly contact our sales window correspondents.

IT8 Assembly Process

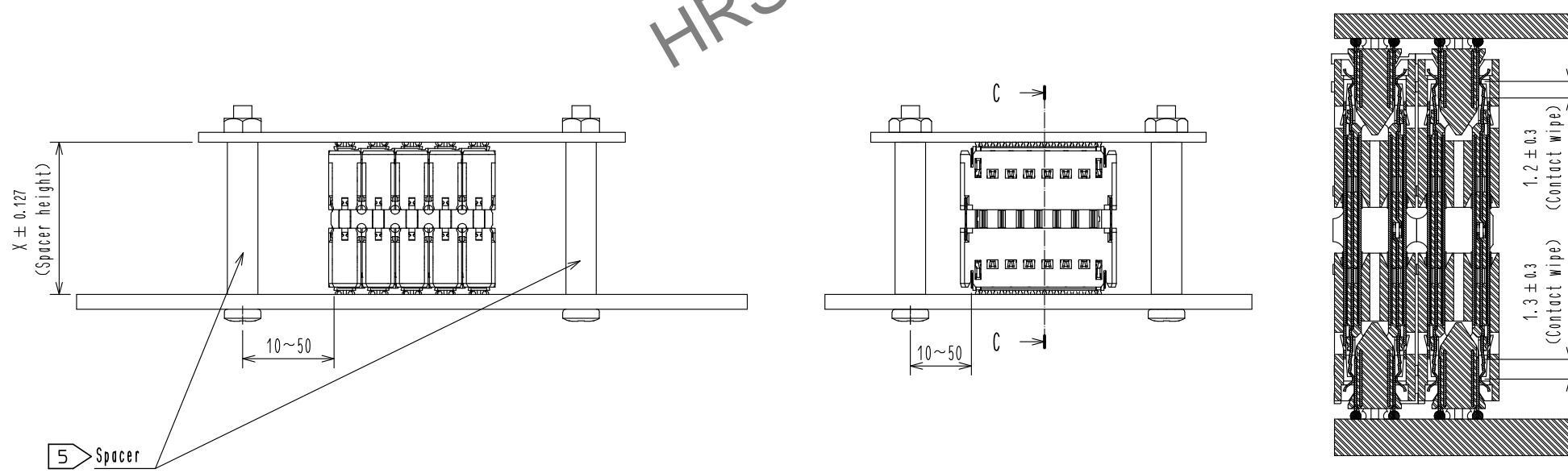


1) Insert mounting side of Interposer(IT8-***S-***H(**)) by pressing on top of Interposer into reflowed Mounting Plug(IT8M-***P-BGA-***H(**)) having black housings.

2) Insert Detachable Plug(IT8D-***P-BGA-***H(**)) having gray housings into mating side of Interposer(IT8-***S-***H(**)).

3) Install and tighten nuts to fix mated Detachable Plug after completion of mating.

IT8 Mated Condition



HRS DRAWING FOR REFERENCE

HRS	DRAWING NO.	EDC-374891-00-00
	PART NO.	IT8-120S-41H
	CODE NO.	CL636-3520-0-00
		\triangle 2/2