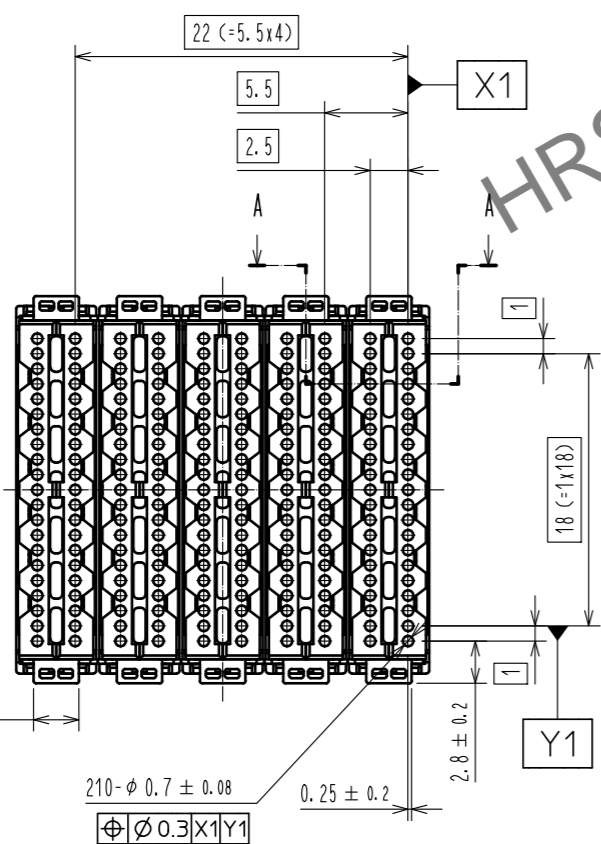
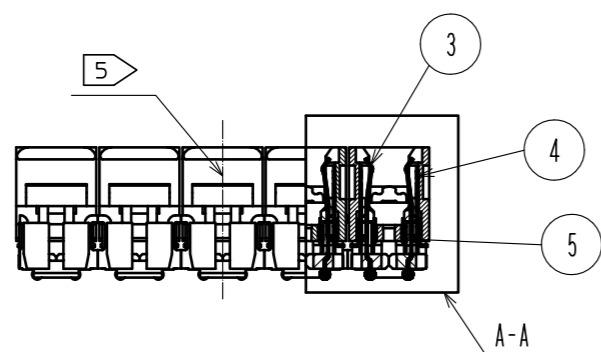
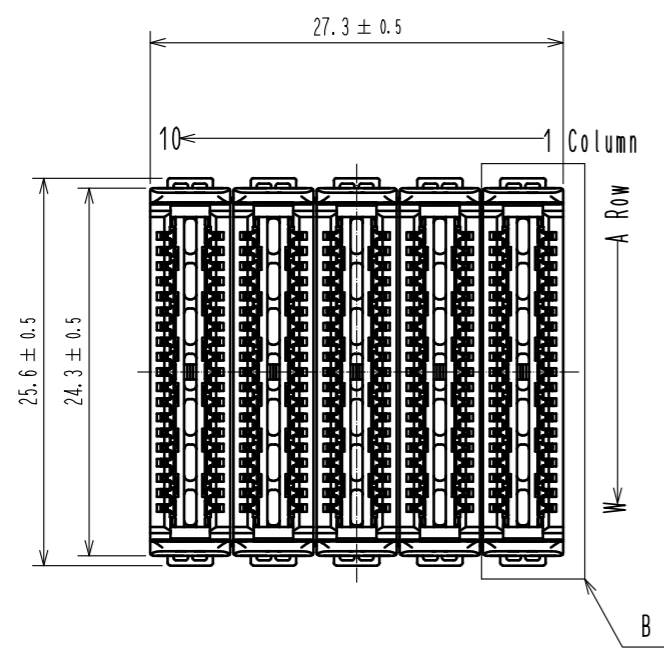


Apr.1.2025 Copyright 2025 HIROSE ELECTRIC CO., LTD. All Rights Reserved.
In case of consideration for using Automotive equipment / device which demand high reliability, kindly contact our sales window correspondents.

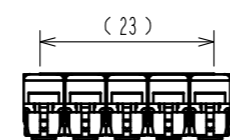
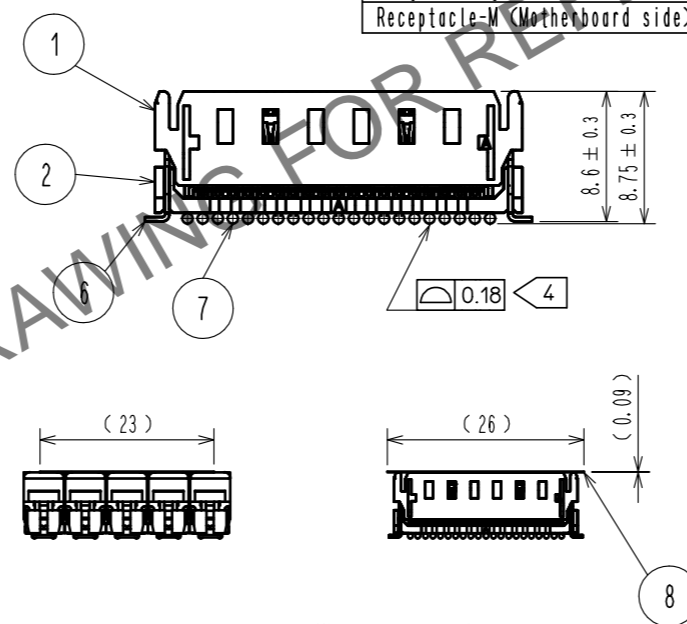


NOTES

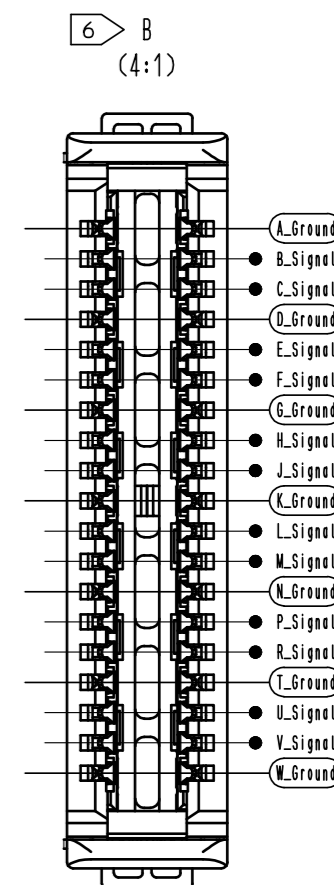
- 1 IT8 receptacle to be mated with IT8D+***P-BGA-H(**).
- 2 Minimum clearance for all devices.
- 3 Minimum clearance for sensitive devices.
- 4 Maximum coplanarity of the ball field is 0.18mm
- 5 Lot no. is marked at the approx. location shown.
- 6 IT8 Series apply GSSG., pin assign as shown.
- 7 Standard package of 108 pcs are packaged in a carton box.
- 8 This product is recommended to use within four weeks after unpacked due to the possibility of oxidation of BGA.
- 9 This product is a solder ball locations and coplanarity sensitive BGA connector. It is recommended to handle this product with the automated machine. Solder ball locations and coplanarity might be damaged accidentally when it is manually handled by assembly workers.
- 10 The spacer height of this product assembled with mounted IT8D+***P-BGA-H(**) shall be indicated in Table 1.
- 11 The Daughter card shall be fastened with the Motherboard to additional reinforcements to prevent any stress on the solder joints of the connectors.
- 12 The indicated maximum angles shall not be exceed during mating/unmating operation to prevent damaging the connectors and peripheral components.
- 13 The retention pad is recommended to be floating, otherwise grounding is acceptable.

10 Table 1 Spacer height

Spacer height (X)	10	11
Plug-D (Daughter card side)	IT8D+***P-BGA-0H(**)	IT8D+***P-BGA-1H(**)
Receptacle-M (Motherboard side)	IT8M+***S-BGA-10H(**)	

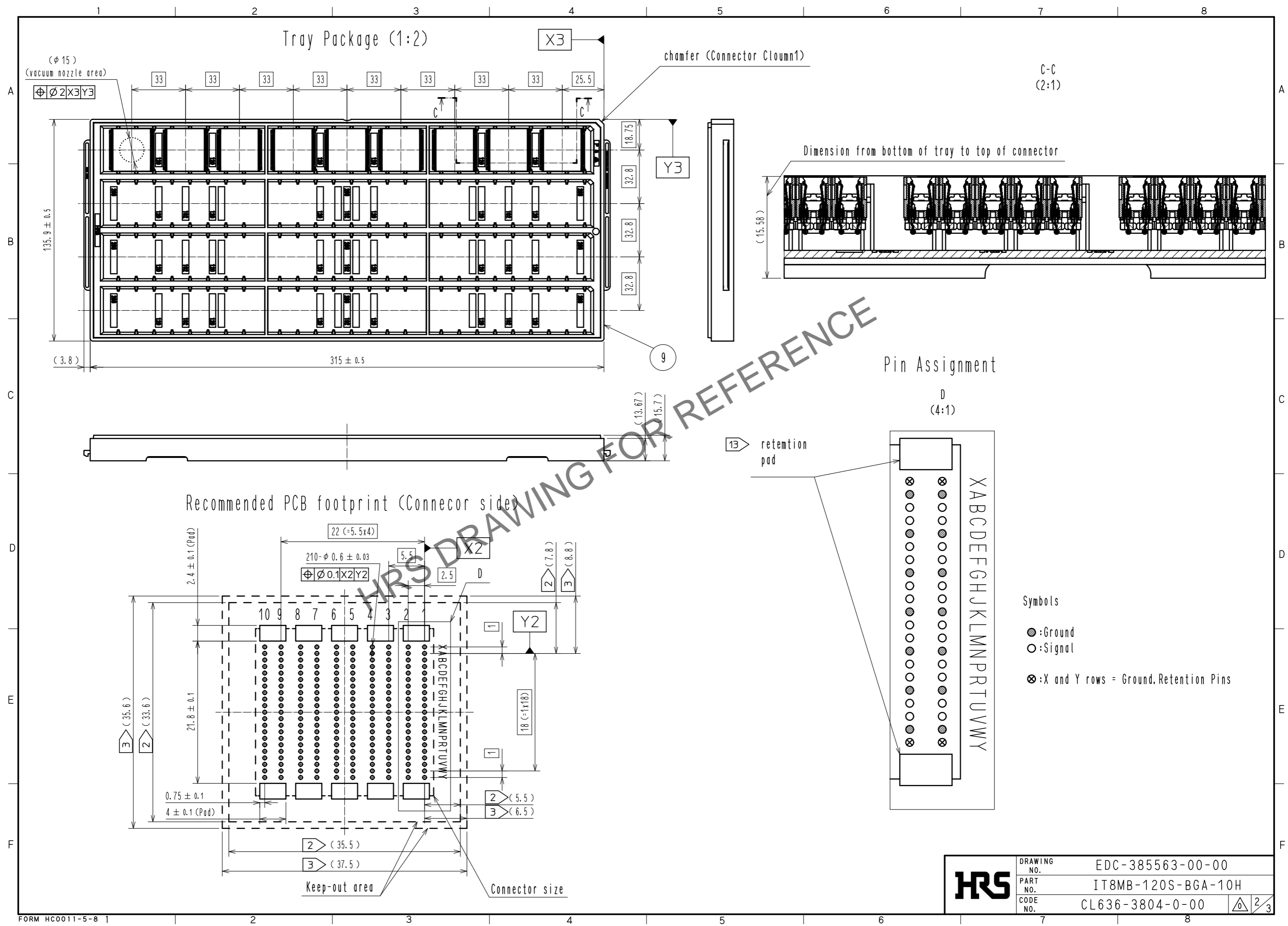


Tape for vacuum (Not to scale)



4	Stainless steel		9	HIPS	TRAY, BLACK
3	Copper alloy	Contact area: Nickel 1.27µm min + Gold 0.76µm min	8	Heat resistant tape	Polyamide
		Other area: Nickel 1.27µm min	7	TIN	Sn(96.5)-Ag(3)-Cu(0.5)
2	LCP	BLACK, UL94V-0	6	Copper alloy	Nickel 1µm min + Gold 0.03µm min
1	PPS	BLACK, UL94V-0	5	Stainless steel	
NO.	MATERIAL	FINISH . REMARKS	NO.	MATERIAL	FINISH . REMARKS
UNITS mm		SCALE 2 : 1	COUNT	DESCRIPTION OF REVISIONS	
DESIGNED		CHECKED		DATE	
APPROVED : TM. MATSUO			20190809	DRAWING NO. EDC-385563-00-00	
CHECKED : MK. EZAKI			20190809	PART NO. IT8MB-120S-BGA-10H	
DESIGNED : KT. AIZAWA			20190809	CODE NO. CL636-3804-0-00	
DRAWN : KT. AIZAWA			20190809	1/3	

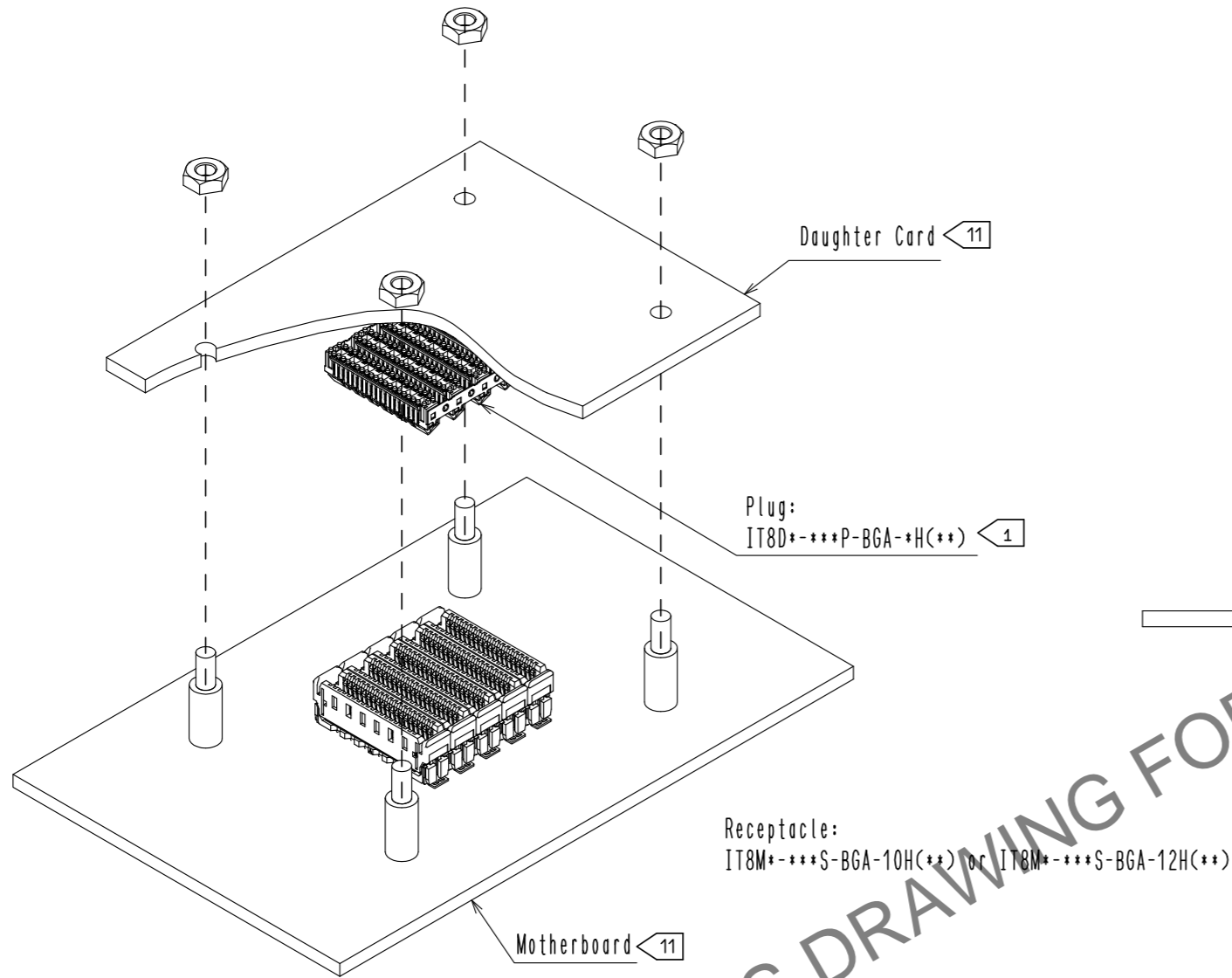
Apr.1.2025 Copyright 2025 HIROSE ELECTRIC CO., LTD. All Rights Reserved.
 In case of consideration for using Automotive equipment / device which demand high reliability, kindly contact our sales window correspondents.



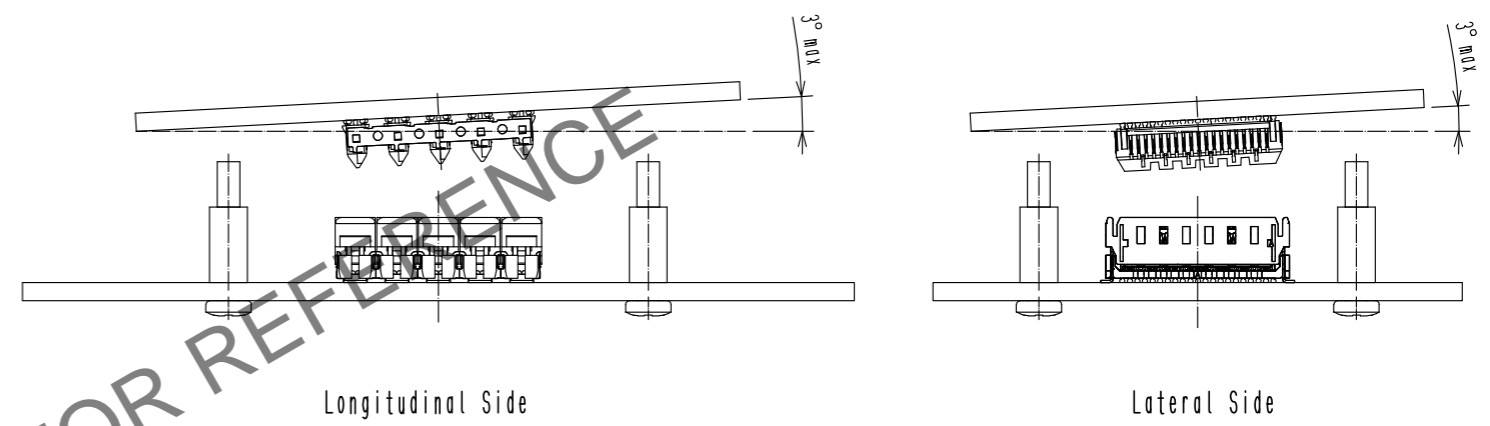
HRS	DRAWING NO.	EDC-385563-00-00
	PART NO.	IT8MB-120S-BGA-10H
	CODE NO.	CL636-3804-0-00
		2/3

Apr.1.2025 Copyright 2025 HIROSE ELECTRIC CO., LTD. All Rights Reserved.
 In case of consideration for using Automotive equipment / device which demand high reliability, kindly contact our sales window correspondents.

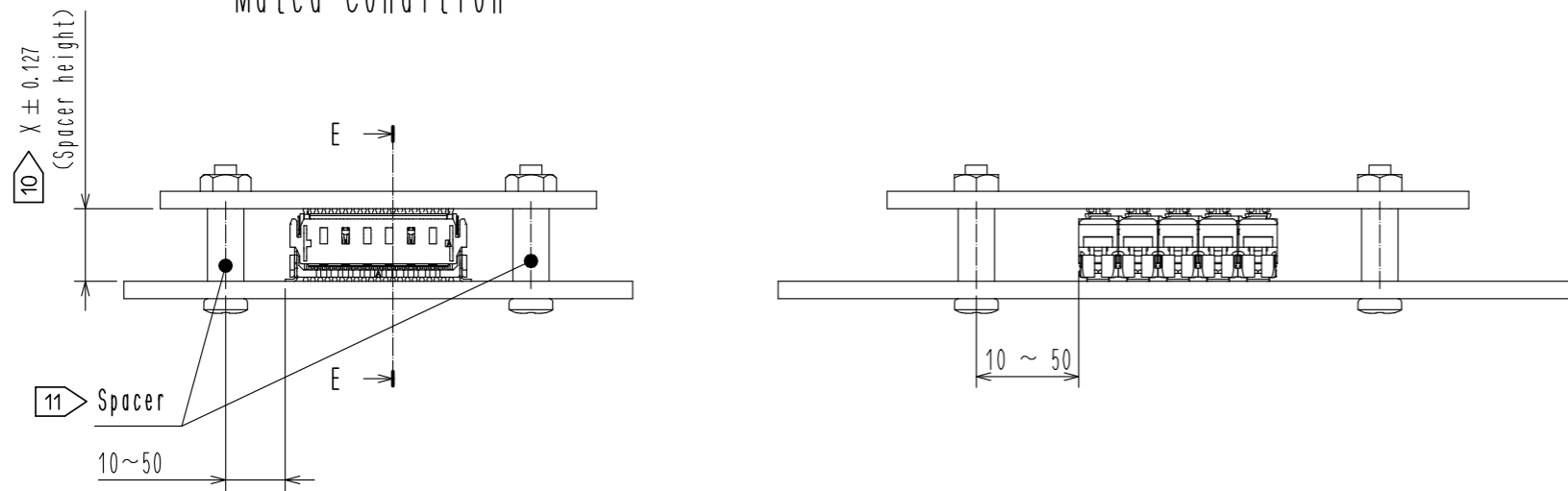
Assembly Process



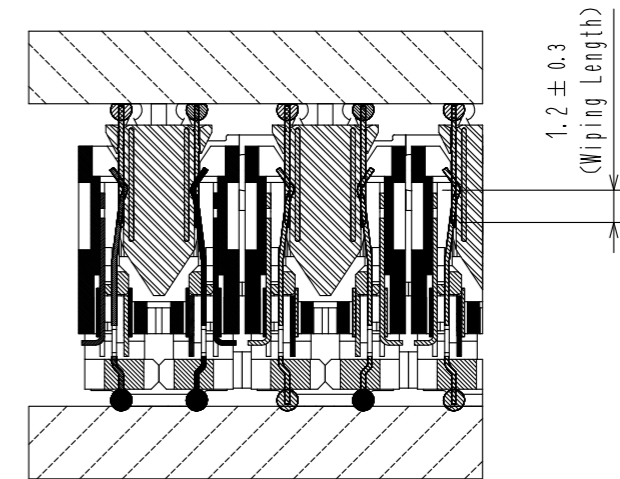
12 Mating / Unmating Instruction



Mated Condition



E-E
(4:1)



HRS	DRAWING NO.	EDC-385563-00-00	3/3
	PART NO.	IT8MB-120S-BGA-10H	
	CODE NO.	CL636-3804-0-00	