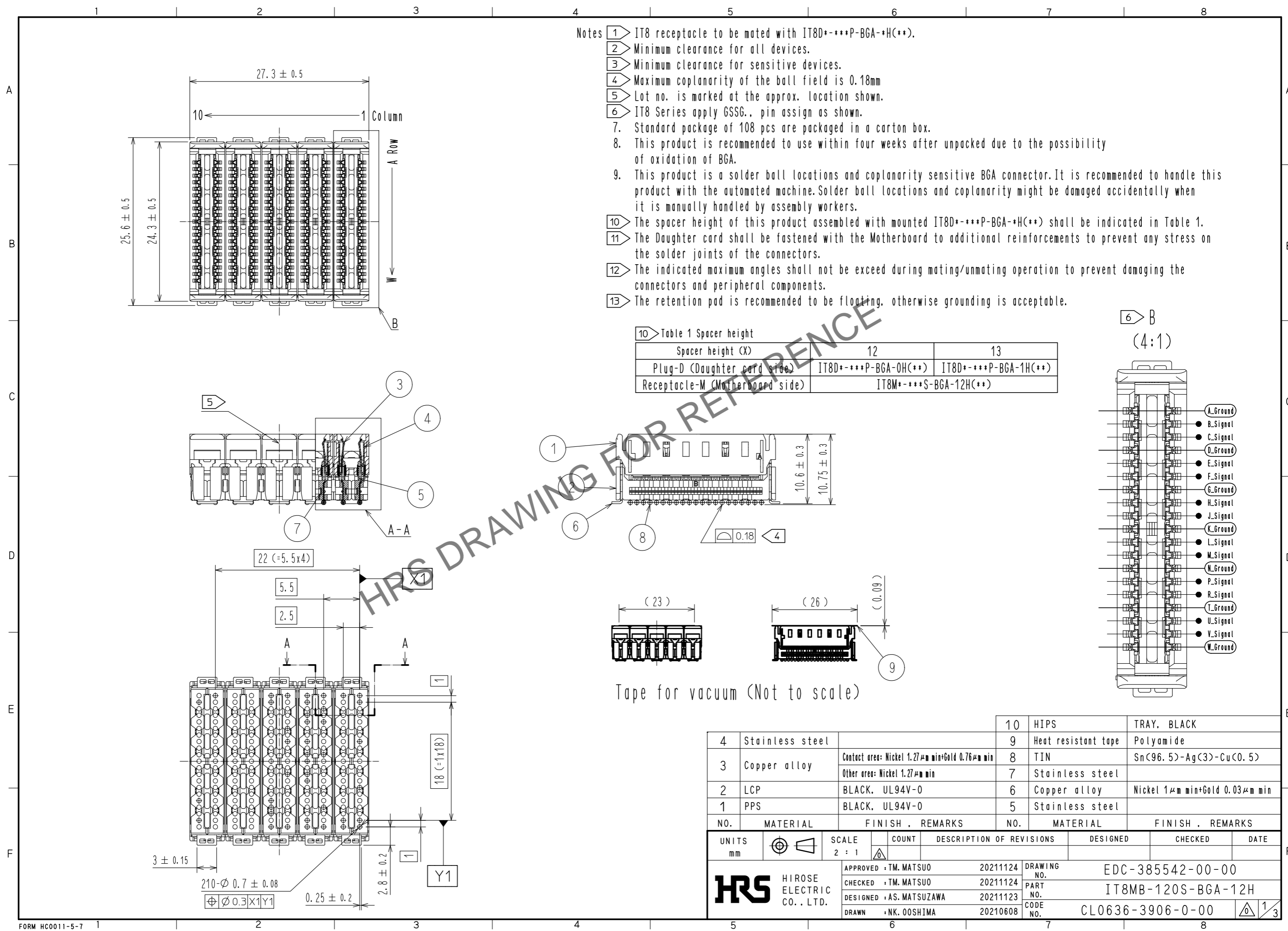


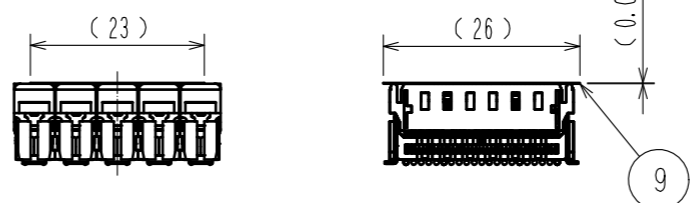
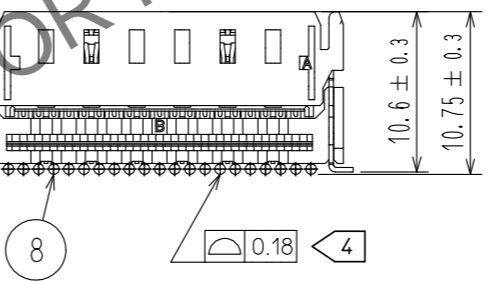
Dec.1.2024 Copyright 2024 HIROSE ELECTRIC CO., LTD. All Rights Reserved.  
In case of consideration for using Automotive equipment / device which demand high reliability, kindly contact our sales window correspondents.



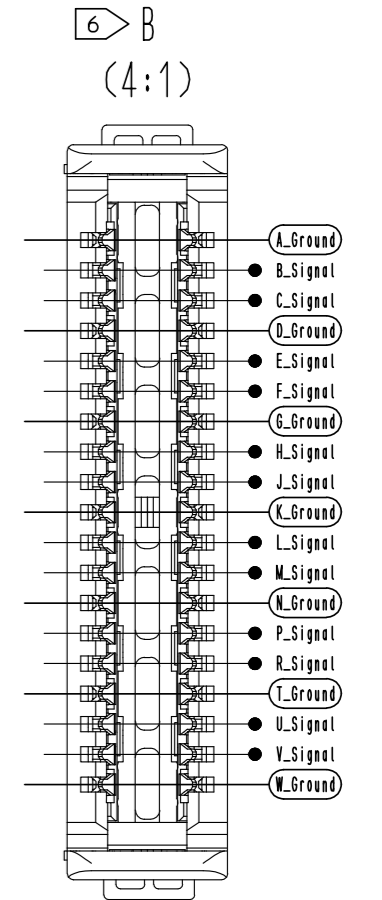
- Notes
- 1 IT8 receptacle to be mated with IT8D\*-\*-P-BGA-\*H(\*\*).
  - 2 Minimum clearance for all devices.
  - 3 Minimum clearance for sensitive devices.
  - 4 Maximum coplanarity of the ball field is 0.18mm
  - 5 Lot no. is marked at the approx. location shown.
  - 6 IT8 Series apply GSSG., pin assign as shown.
  - 7 Standard package of 108 pcs are packaged in a carton box.
  - 8 This product is recommended to use within four weeks after unpacked due to the possibility of oxidation of BGA.
  - 9 This product is a solder ball locations and coplanarity sensitive BGA connector. It is recommended to handle this product with the automated machine. Solder ball locations and coplanarity might be damaged accidentally when it is manually handled by assembly workers.
  - 10 The spacer height of this product assembled with mounted IT8D\*-\*-P-BGA-\*H(\*\*) shall be indicated in Table 1.
  - 11 The Daughter card shall be fastened with the Motherboard to additional reinforcements to prevent any stress on the solder joints of the connectors.
  - 12 The indicated maximum angles shall not be exceed during mating/unmating operation to prevent damaging the connectors and peripheral components.
  - 13 The retention pad is recommended to be floating, otherwise grounding is acceptable.

10 Table 1 Spacer height

Spacer height (X)	12	13
Plug-D (Daughter card side)	IT8D*-*-P-BGA-0H(**)	IT8D*-*-P-BGA-1H(**)
Receptacle-M (Motherboard side)	IT8M*-*-S-BGA-12H(**)	



Tape for vacuum (Not to scale)

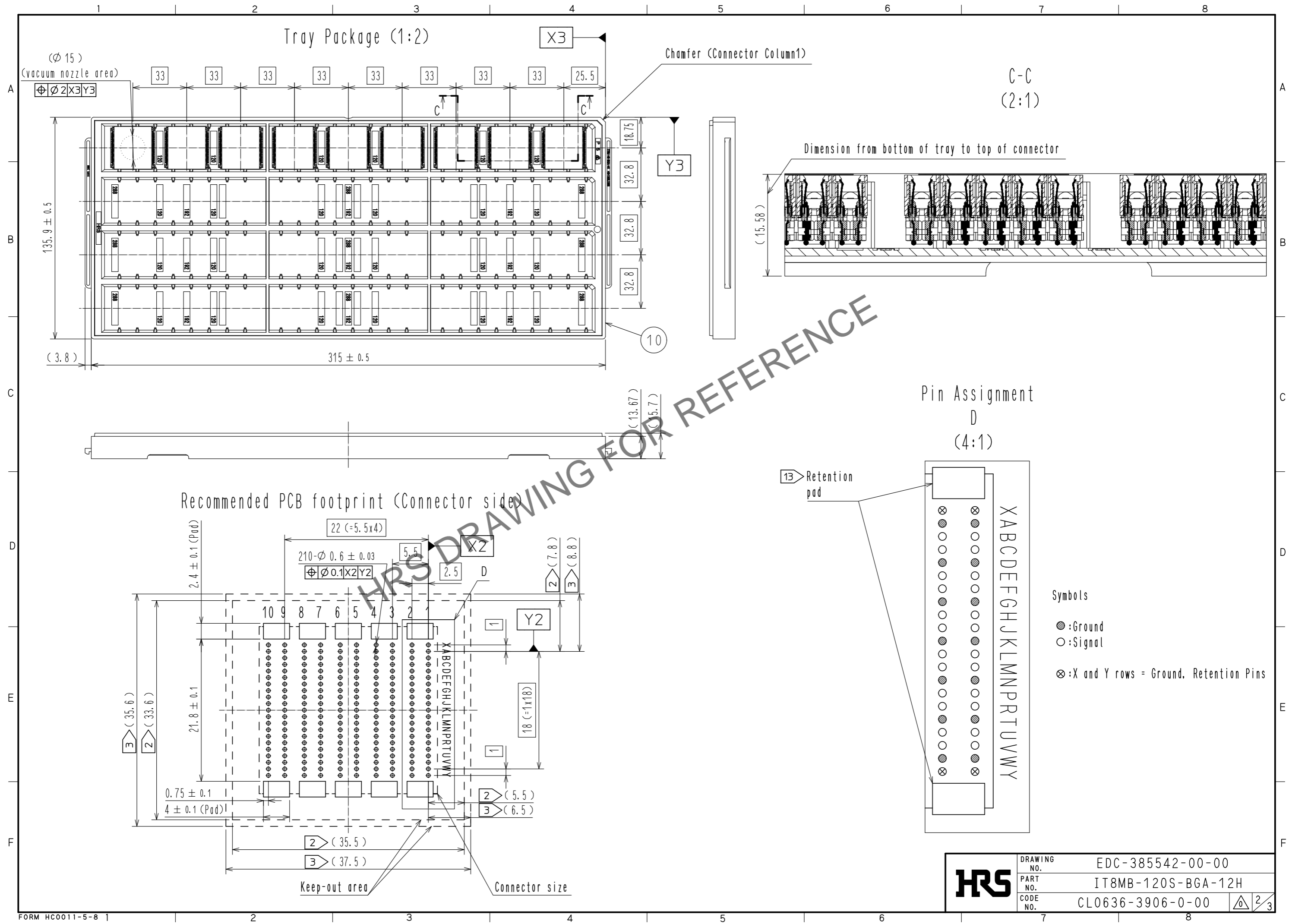


NO.	MATERIAL	FINISH . REMARKS	NO.	MATERIAL	FINISH . REMARKS
4	Stainless steel		10	HIPS	TRAY, BLACK
3	Copper alloy	Contact area: Nickel 1.27µm min+Gold 0.76µm min Other area: Nickel 1.27µm min	9	Heat resistant tape	Polyamide
2	LCP	BLACK, UL94V-0	8	TIN	Sn(96.5)-Ag(3)-Cu(0.5)
1	PPS	BLACK, UL94V-0	7	Stainless steel	
			6	Copper alloy	Nickel 1µm min+Gold 0.03µm min
			5	Stainless steel	

UNITS	SCALE	COUNT	DESCRIPTION OF REVISIONS	DESIGNED	CHECKED	DATE
mm	2 : 1	△				
APPROVED : TM. MATSUO			20211124	DRAWING NO. EDC-385542-00-00		
CHECKED : TM. MATSUO			20211124	PART NO. IT8MB-120S-BGA-12H		
DESIGNED : AS. MATSUZAWA			20211123	CODE NO. CL0636-3906-0-00		
DRAWN : NK. OOSHIMA			20210608			

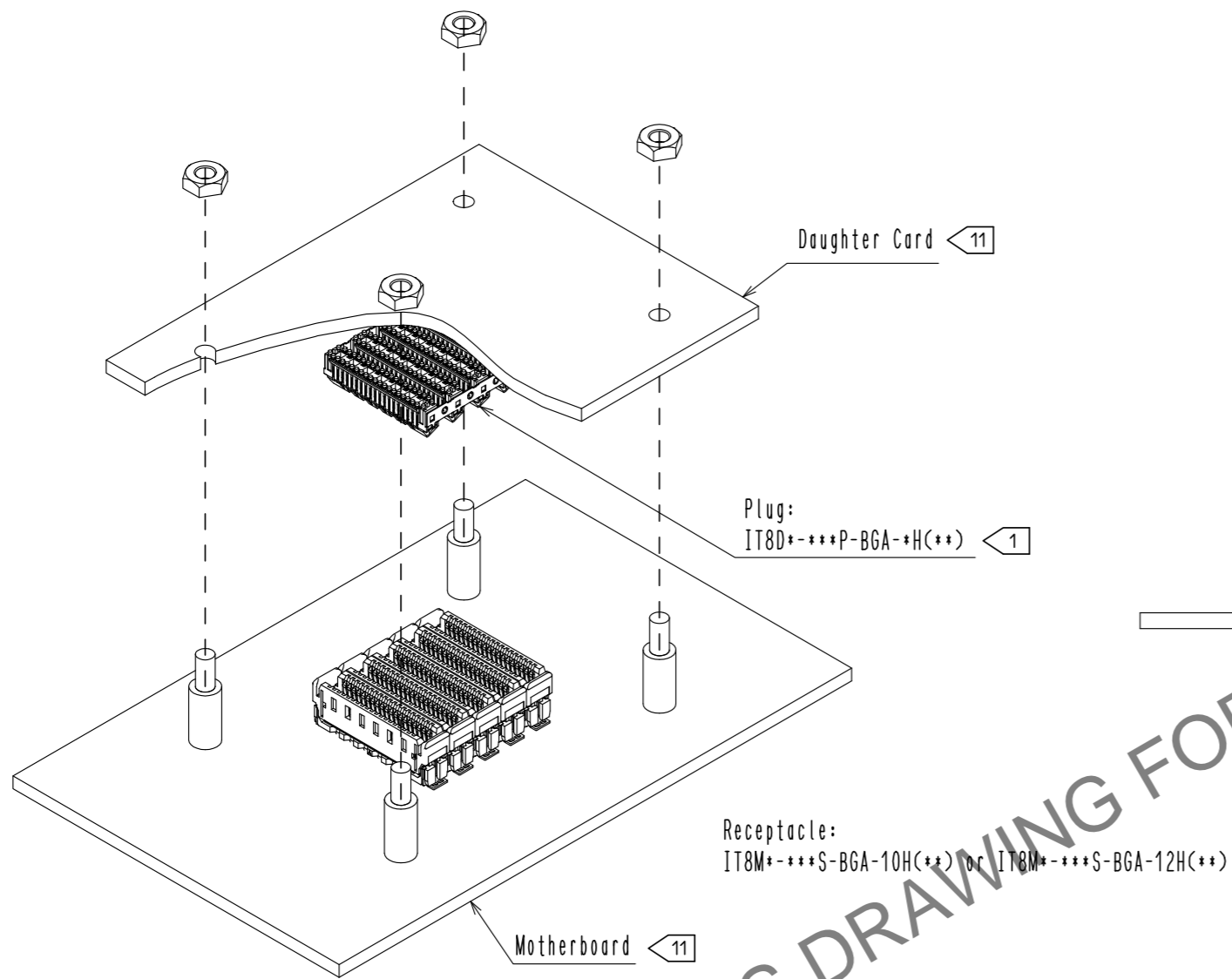
Dec.1.2024 Copyright 2024 HIROSE ELECTRIC CO., LTD. All Rights Reserved.  
 In case of consideration for using Automotive equipment / device which demand high reliability, kindly contact our sales window correspondents.



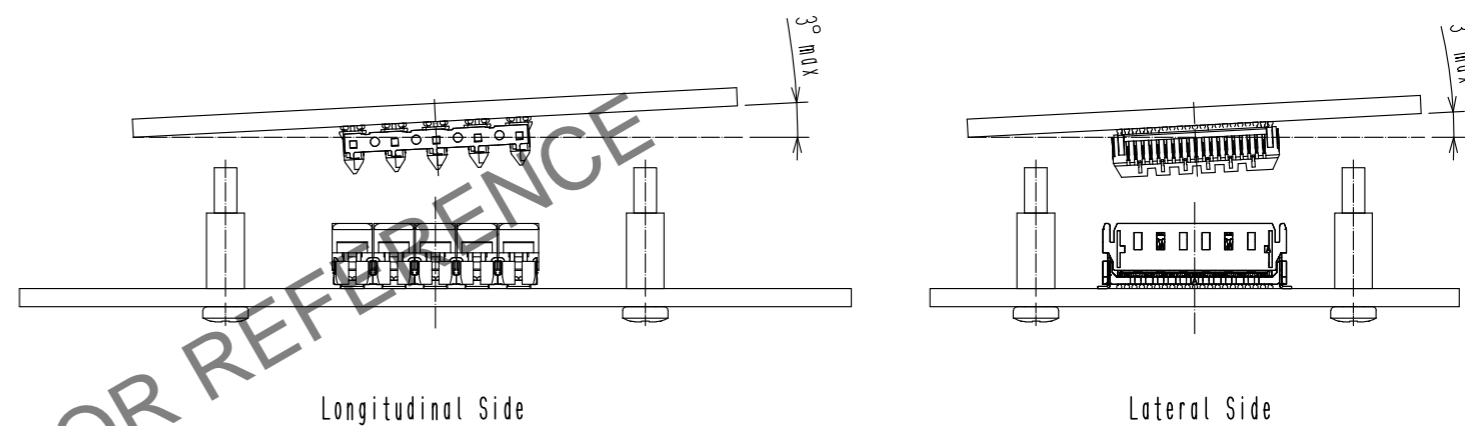
<b>HRS</b>	DRAWING NO.	EDC-38542-00-00
	PART NO.	IT8MB-120S-BGA-12H
	CODE NO.	CL0636-3906-0-00
		2/3

Dec.1.2024 Copyright 2024 HIROSE ELECTRIC CO., LTD. All Rights Reserved.  
 In case of consideration for using Automotive equipment / device which demand high reliability, kindly contact our sales window correspondents.

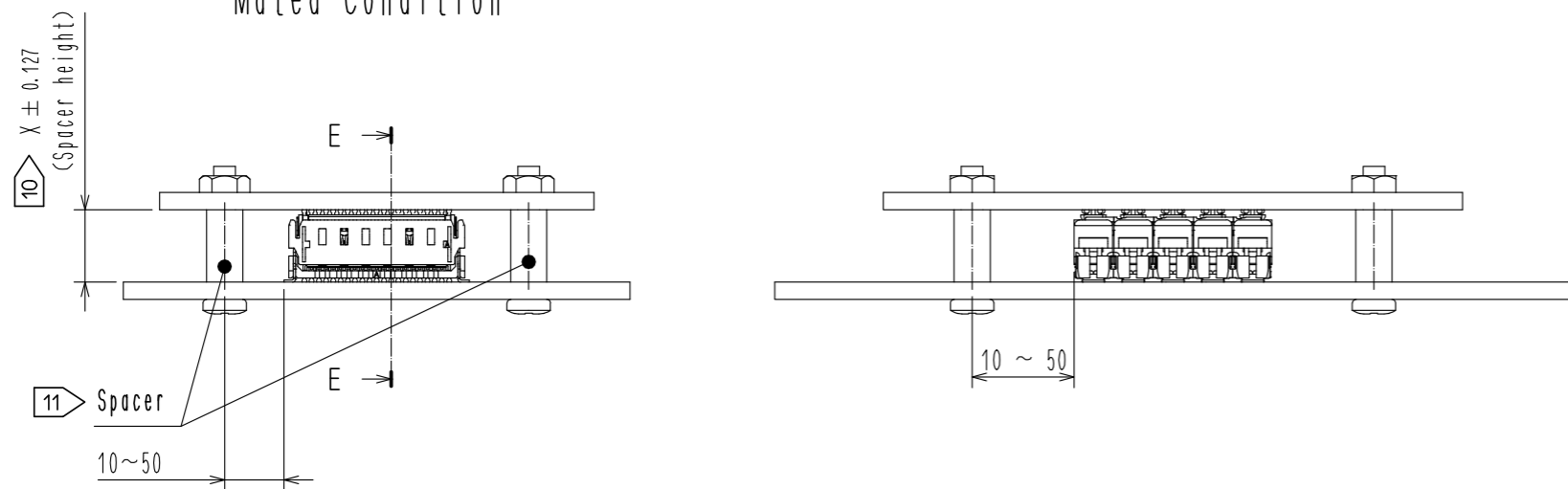
# Assembly Process



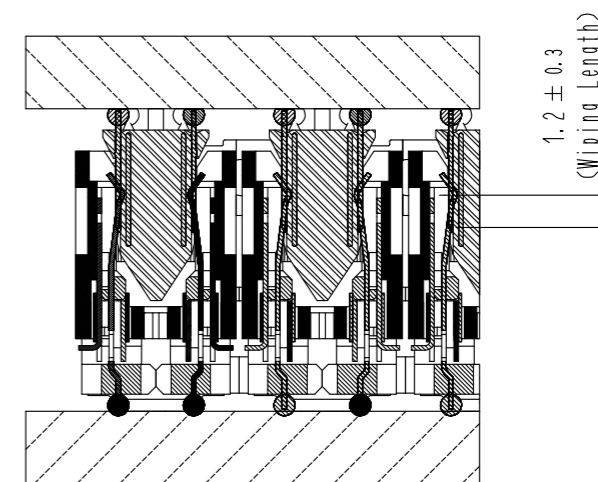
## 12 Mating / Unmating Instruction



## Mated Condition



## E-E (4:1)



<b>HRS</b>	DRAWING NO.	EDC-38542-00-00	<span style="border: 1px solid black; padding: 2px;">3/3</span>
	PART NO.	IT8MB-120S-BGA-12H	
	CODE NO.	CL0636-3906-0-00	