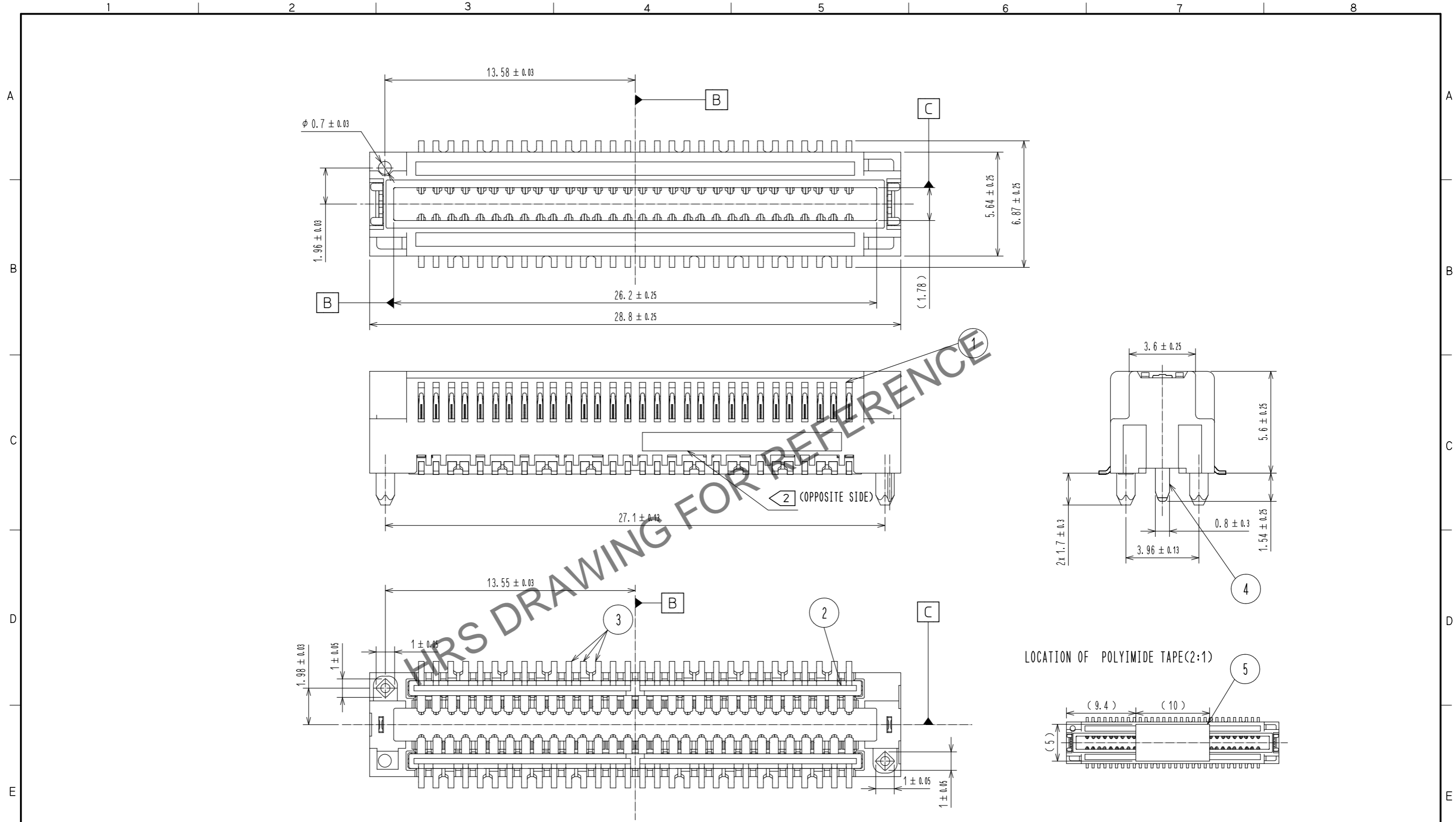


Dec.1.2024 Copyright 2024 HIROSE ELECTRIC CO., LTD. All Rights Reserved.  
 In case of consideration for using Automotive equipment / device which demand high reliability, kindly contact our sales window correspondents.



- NOTE.
1. STANDARD PACKAGE OF 600 PCS ARE PACKAGED IN A EMBOSSED CARRIER TAPE.
  2. LOT NO. SHALL BE MARKED ON THE INDICATED POSITION.
  3. MAXIMUM COPLANARITY IS 0.1mm.
  4. THIS PRODUCT SATISFIES HALOGEN FREE REQUIREMENTS DEFIED AS 900ppm MAXIMUM CHLORINE, 900ppm MAXIMUM BROMINE, AND 1500ppm MAXIMUM TOTAL OF CHLORINE AND BROMINE.

NO.	MATERIAL	FINISH .	REMARKS	NO.	MATERIAL	FINISH .	REMARKS
5	POLYIMIDE		(TAPE FOR VACCUM PICK AND PLACE)	7	PE		(TOP COVER TAPE)
4	COPPER ALLOY		NiP 1.27 $\mu$ m + Sn 2.54 $\mu$ m	6	PS		(EMBOSSED CARRIER TAPE)
2	LCP		BLACK UL94V-0	3	COPPER ALLOY		CONTACT AREA: NiP 2.54 $\mu$ m + AuP 0.76 $\mu$ m
1	LCP		BLACK UL94V-0			MOUNT AREA : NiP2.54 $\mu$ m + AuP 0.03 $\mu$ m	

UNITS	SCALE	COUNT	DESCRIPTION OF REVISIONS	DESIGNED	CHECKED	DATE
mm	5 : 1	2	DIS-F-00004880	XINGYU CHENG	MK. EZAKI	20190705

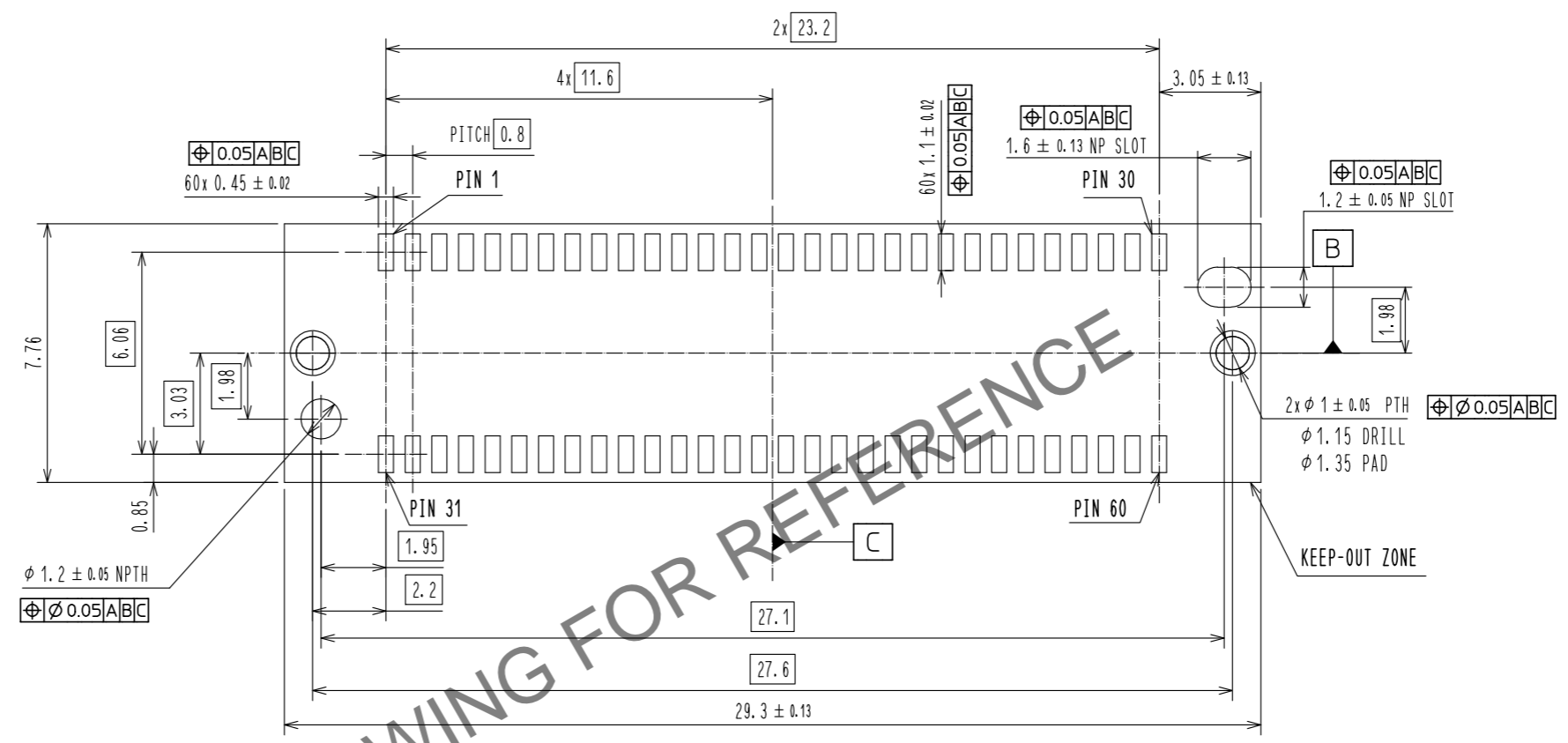
  

<b>HRS</b> HIROSE ELECTRIC CO., LTD.	APPROVED : TM. MATSUO	20181219	DRAWING NO.	EDC-378490-00-01
	CHECKED : MK. EZAKI	20181219	PART NO.	IT12M1-60S-0.8SV
	DESIGNED : AS. MATSUZAWA	20181218	CODE NO.	CL636-5001-0-00
	DRAWN : XINGYU CHENG	20181218		

Dec.1.2024 Copyright 2024 HIROSE ELECTRIC CO., LTD. All Rights Reserved.  
 In case of consideration for using Automotive equipment / device which demand high reliability, kindly contact our sales window correspondents.

# PCB LAYOUT (COMPONENT SIDE)

SOLDER PASTE THICKNESS: 0.13 MIN  
 DATUM A IS THE BOTTOM SURFACE OF THE PCB



## Pin configuration

Pin No.	1	2	3	4	5	6	7	8	9	10	11	12	13	14	15	16	17	18	19	20	21	22	23	24	25	26	27	28	29	30		
Pin configuration	G	S	S	G	S	S	G	S	S	G	S	S	G	S	S	G	S	S	G	S	S	G	S	S	G	S	S	G	S	S	G	E
Pin No.	31	32	33	34	35	36	37	38	39	40	41	42	43	44	45	46	47	48	49	50	51	52	53	54	55	56	57	58	59	60		
Pin configuration	E	G	S	S	G	S	S	G	S	S	G	S	S	G	E	E	E	G	S	S	G	S	S	G	S	S	G	S	S	G		

S: SIGNAL G:GROUND E:EXTRA

- NOTES:
- PIN NUMBERING IS FOR REFERENCE ONLY.  
OTHER PIN NUMBERS WILL NOT AFFECT THE OPERATION OF THE CONNECTOR.
  - RETENTION NAIL MUST BE SOLDERED ON TO THE PCB FOR PROPER CONNECTOR FUNCTION

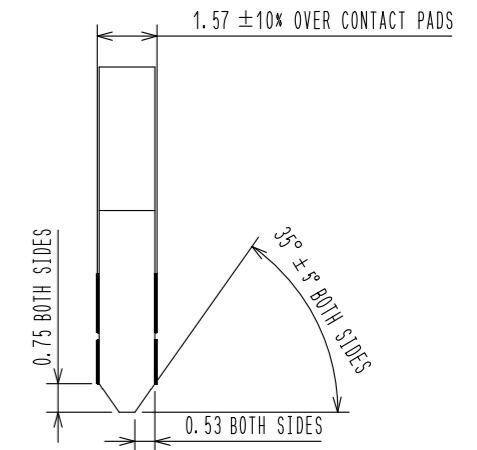
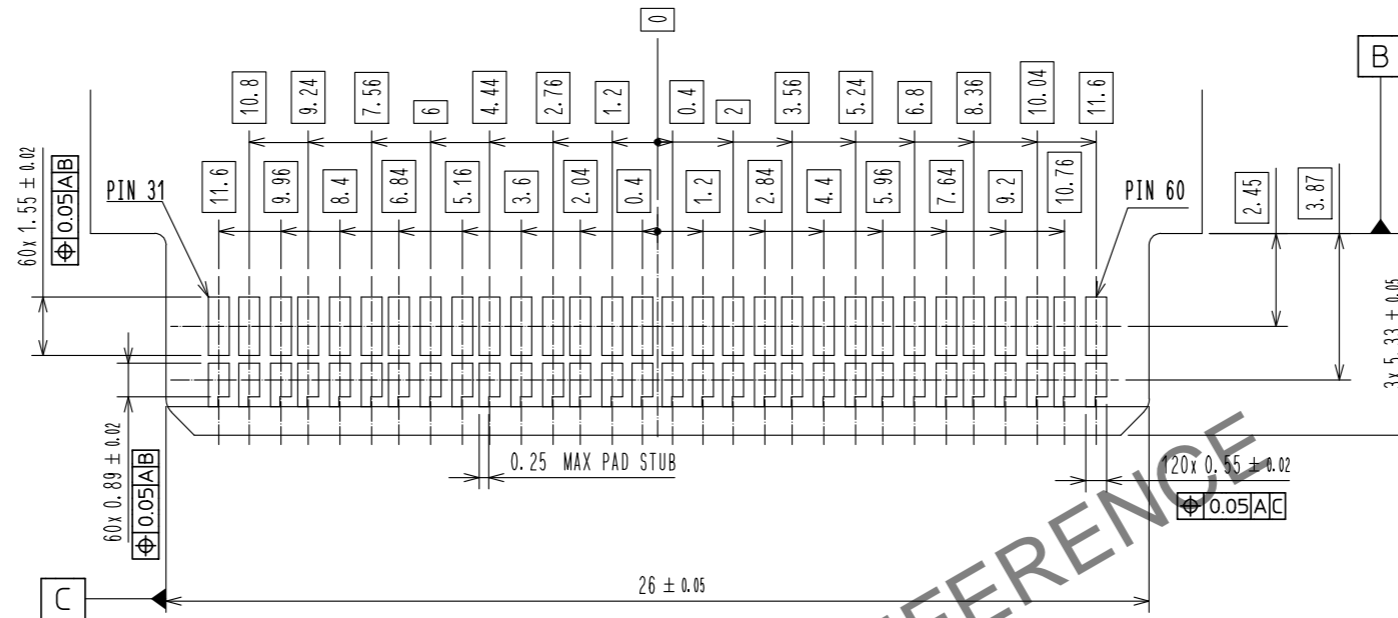
<b>HRS</b>	DRAWING NO.	EDC-378490-00-01
	PART NO.	IT12M1-60S-0.8SV
	CODE NO.	CL636-5001-0-00
		2/4

Dec.1.2024 Copyright 2024 HIROSE ELECTRIC CO., LTD. All Rights Reserved. In case of consideration for using Automotive equipment / device which demand high reliability, kindly contact our sales window correspondents.

# EDGE CARD LAYOUT

## FRONT SIDE

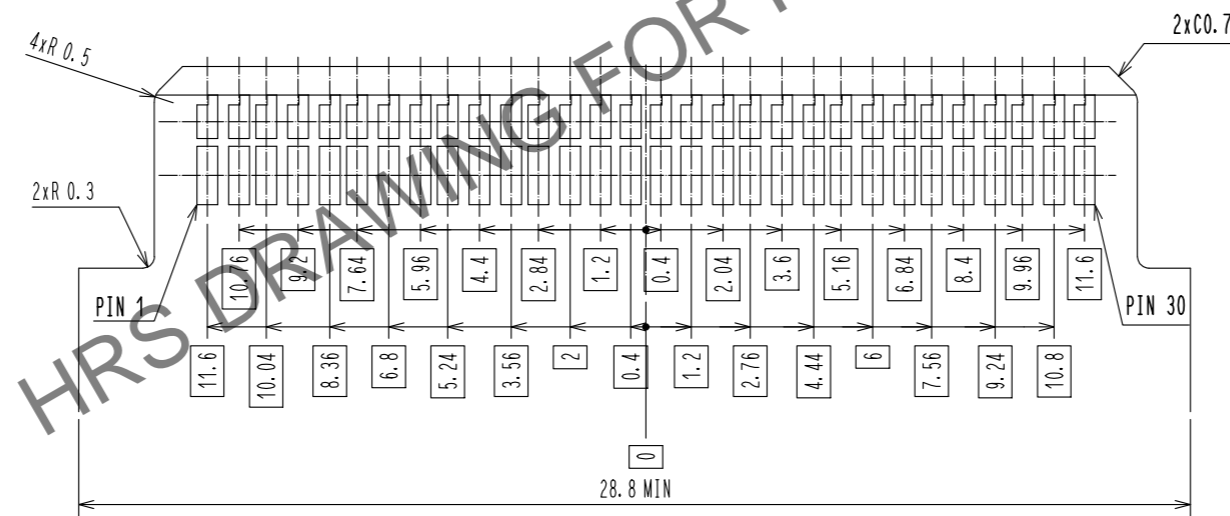
DATUM A IS THE OPPOSITE SIDE OF THE PCB



HRS DRAWING FOR REFERENCE

## BACK SIDE

DATUM A IS THE OPPOSITE SIDE OF THE PCB



### Pin configuration

Pin No.	1	2	3	4	5	6	7	8	9	10	11	12	13	14	15	16	17	18	19	20	21	22	23	24	25	26	27	28	29	30
Pin configuration	G	S	S	G	S	S	G	S	S	G	S	S	G	E	E	E	G	S	S	G	S	S	G	S	S	G	S	S	G	E
Pin No.	31	32	33	34	35	36	37	38	39	40	41	42	43	44	45	46	47	48	49	50	51	52	53	54	55	56	57	58	59	60
Pin configuration	E	G	S	S	G	S	S	G	S	S	G	S	S	G	E	E	E	G	S	S	G	S	S	G	S	S	G	S	S	G

S: SIGNAL G:GROUND E:EXTRA

### NOTES:

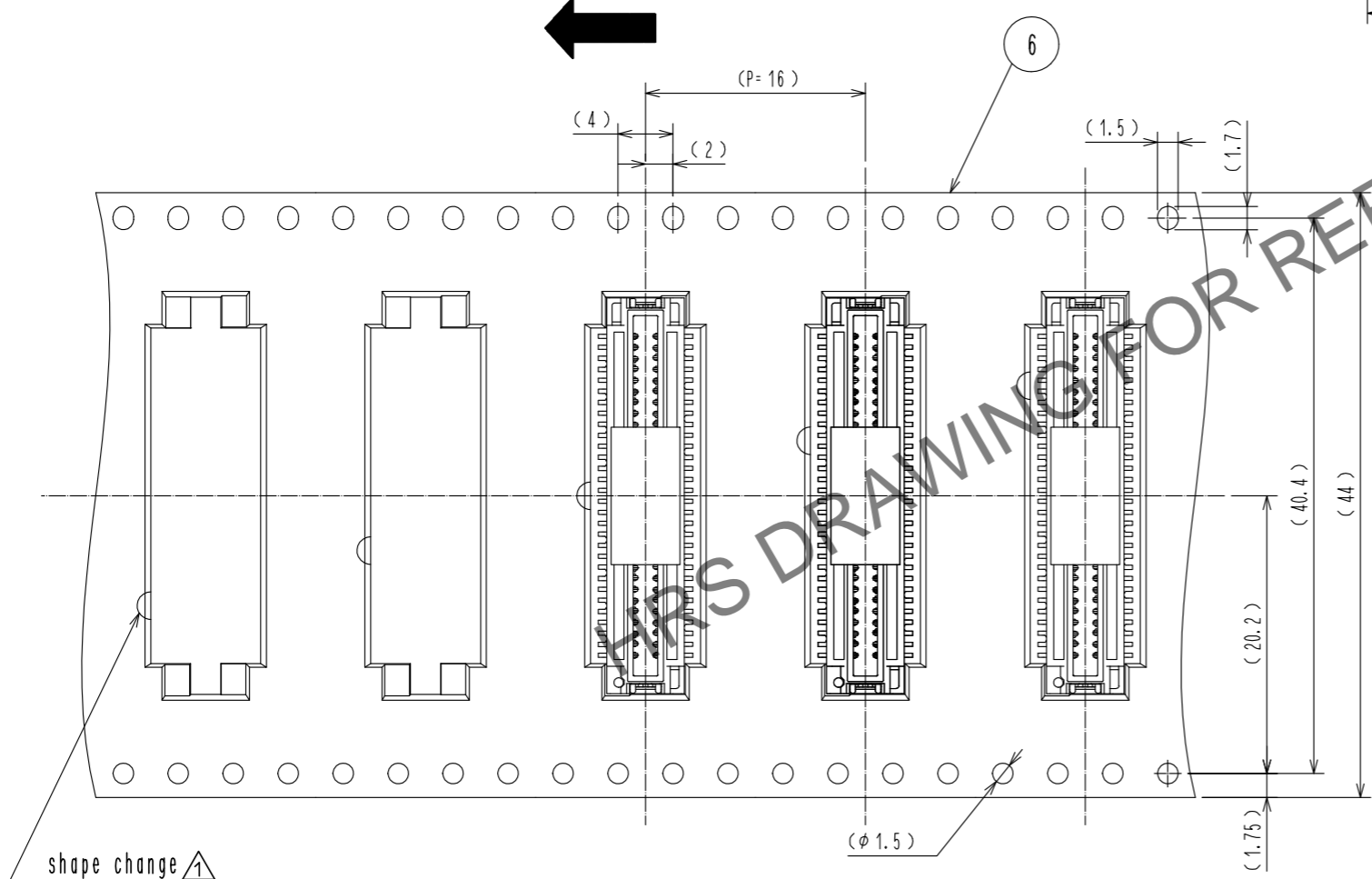
- PIN NUMBERING IS FOR REFERENCE ONLY. OTHER PIN NUMBERS WILL NOT AFFECT THE OPERATION OF THE CONNECTOR.
- EDGE CARD SHOULDERS STOP ON RECEPTACLE SHOULDERS. EDGE CARD BOTTOM DOES NOT CONTACT RECEPTACLE PCB.
- PAD SET BACK FROM CHAMFER ENOUGH TO ACCOMODATE LARGEST CHMFER WITHOUT DAMAGE TO PAD EDGE.
- CHAMFER DEPTH SHOULD BE AS LARGE AS PRACTICAL TO ENSURE CORRECT MATING TO THE RECEPTACLE.
- ALL CHAMFERED EDGES SHOULD BE ROUNDED WHERE POSSIBLE.
- INTERNAL PLATING BRIDGES ARE PREFERRED TO ELIMINATE PAD STUB.

HRS	DRAWING NO.	EDC-378490-00-01
	PART NO.	IT12M1-60S-0.8SV
	CODE NO.	CL636-5001-0-00
		3/4

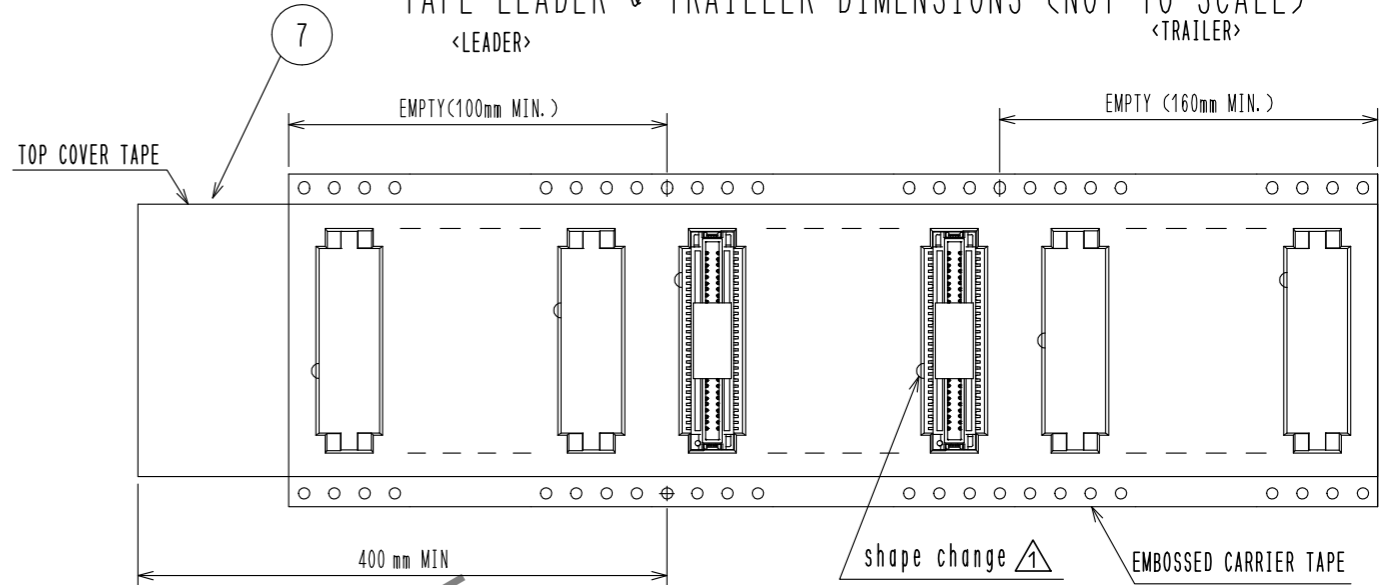
Dec.1.2024 Copyright 2024 HIROSE ELECTRIC CO., LTD. All Rights Reserved.  
 In case of consideration for using Automotive equipment / device which demand high reliability, kindly contact our sales window correspondents.

DRAWING FOR PACKAGING (NOT TO SCALE)

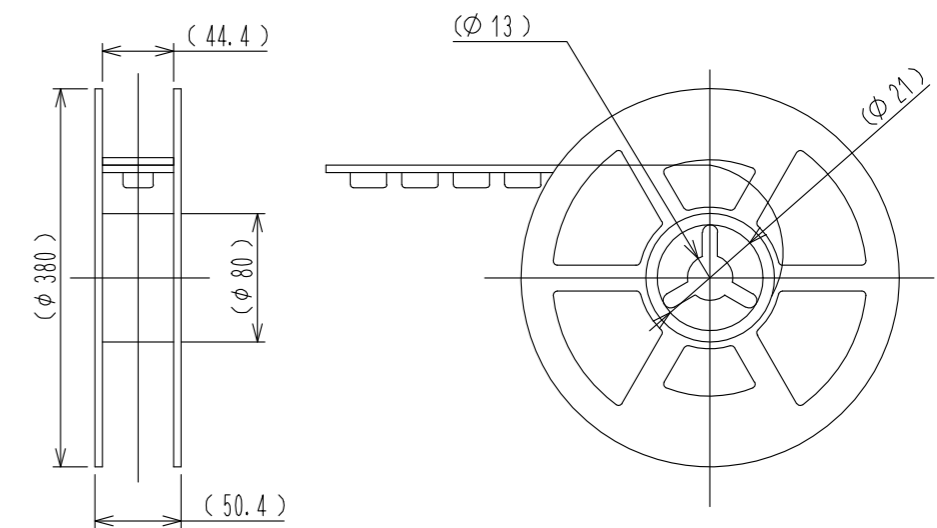
THE DIRECTION OF PULLING OUT



TAPE LEADER & TRAILER DIMENSIONS (NOT TO SCALE)



DETAIL OF REEL (NOT TO SCALE)



<b>HRS</b>	DRAWING NO.	EDC-378490-00-01	4/4
	PART NO.	IT12M1-60S-0.8SV	
	CODE NO.	CL636-5001-0-00	
	△		