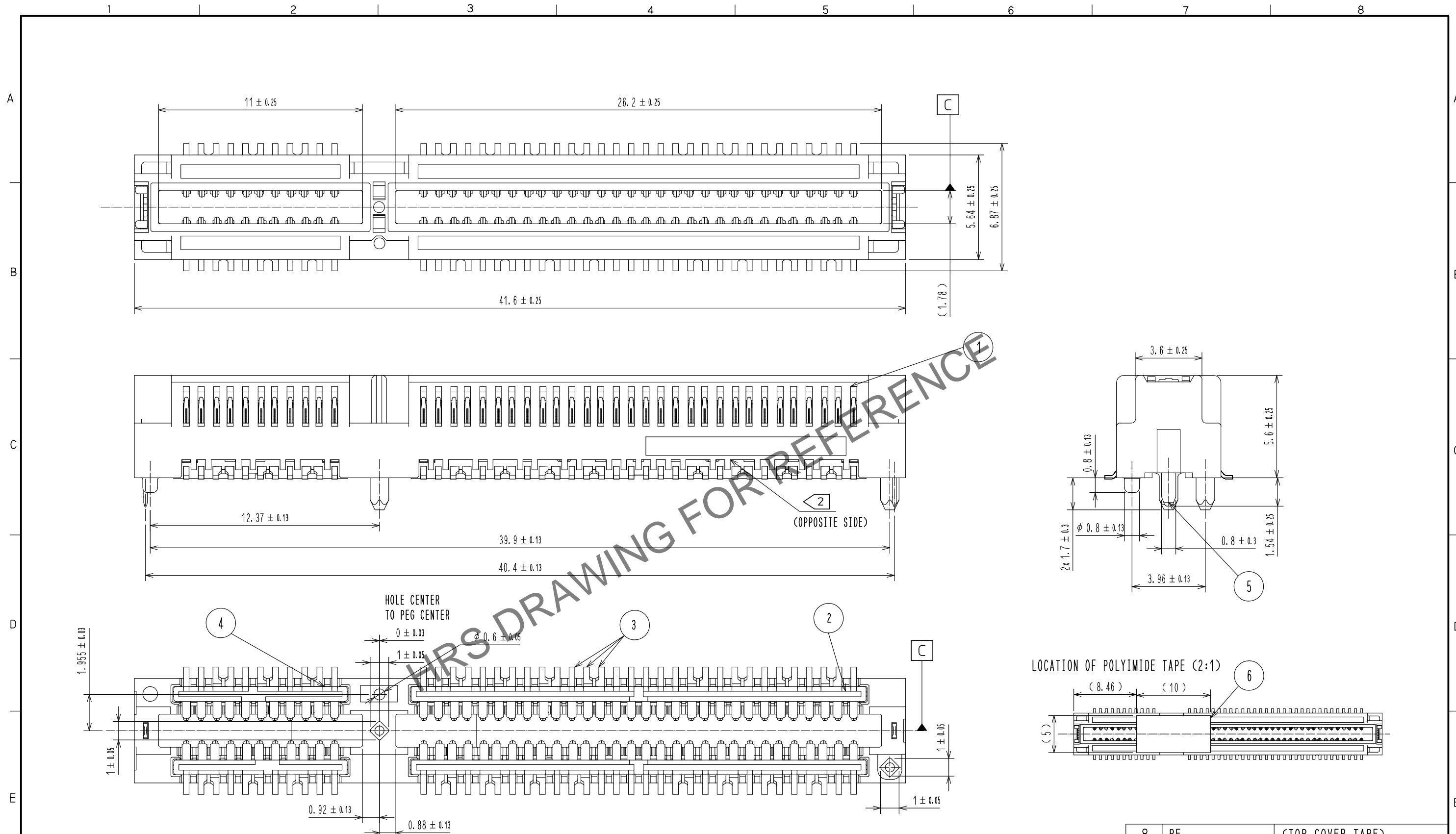


Dec.1.2024 Copyright 2024 HIROSE ELECTRIC CO., LTD. All Rights Reserved.
In case of consideration for using Automotive equipment / device which demand high reliability, kindly contact our sales window correspondents.



NOTE.

- STANDARD PACKAGE OF 600 PCS ARE PACKAGED IN A EMBOSSED CARRIER TAPE.
- LOT NO. SHALL BE MARKED ON THE INDICATED POSITION.
- MAXIMUM COPLANARITY IS 0.1mm.
- THIS PRODUCT SATISFIES HALOGEN FREE REQUIREMENTS DEFIED AS 900ppm MAXIMUM SHLORINE, 900ppm MAXIMUM BROMINE, AND 1500ppm MAXIMUM TOTAL OF CHLORINE AND BROMINE.

NO.	MATERIAL	FINISH . REMARKS	NO.	MATERIAL	FINISH . REMARKS
5	COPPER ALLOY	NiP 1.27 μ m + Sn 2.54 μ m	8	PE	(TOP COVER TAPE)
4	LCP	BLACK UL94V-0	7	PS	(EMBOSSED CARRIER TAPE)
2	LCP	BLACK UL94V-0	6	POLYIMIDE	(TAPE FOR VACCUM PICK AND PLACE)
1	LCP	BLACK UL94V-0	3	COPPER ALLOY	CONTACT AREA: NiP 2.54 μ m + AuPd 0.76 μ m MOUNT AREA : NiP 2.54 μ m + AuP 0.03 μ m

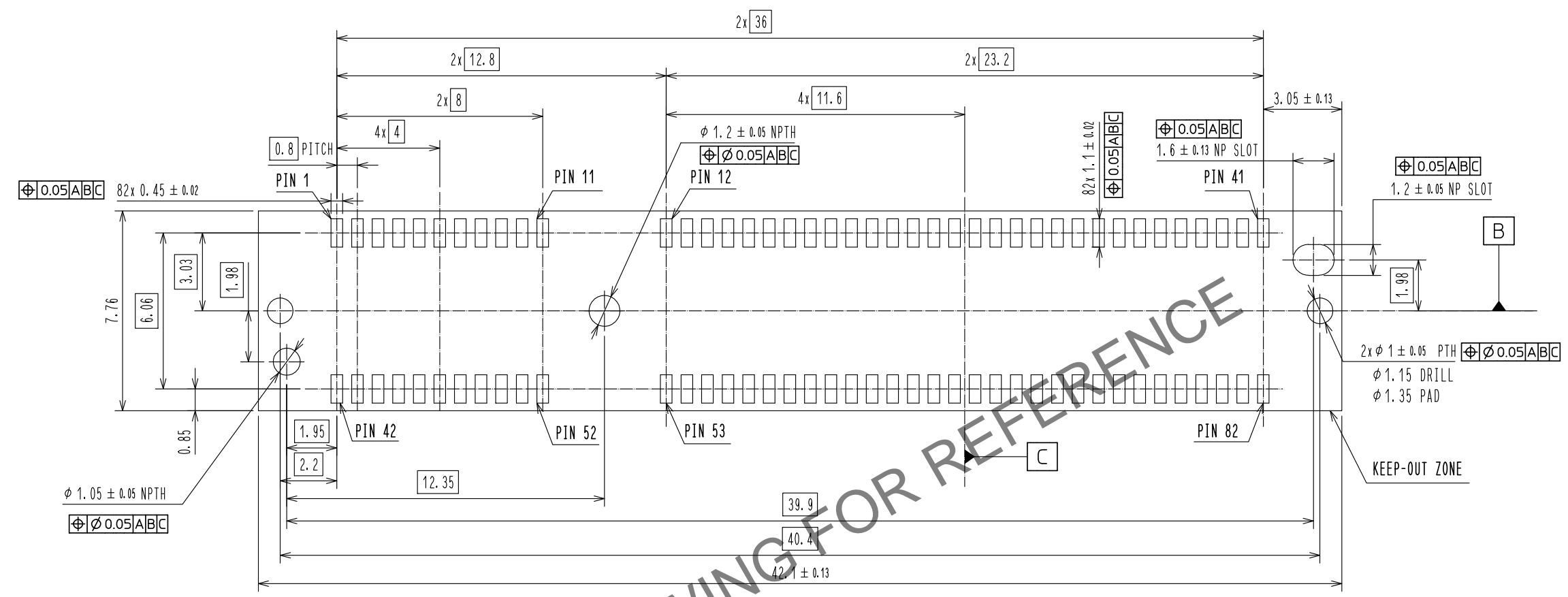
UNITS	SCALE	COUNT	DESCRIPTION OF REVISIONS	DESIGNED	CHECKED	DATE
mm	5 : 1	1	APPROVED : TM. MATSUO 20200212			
			CHECKED : MK. EZAKI 20200212			
			DESIGNED : XINGYU CHENG 20200210			
			DRAWN : XINGYU CHENG 20200210			

DRAWING NO.	PART NO.	CODE NO.
EDC-378491-00-01	IT12M1-82S-0.8SV	CL636-5002-0-00

Dec.1.2024 Copyright 2024 HIROSE ELECTRIC CO., LTD. All Rights Reserved.
 In case of consideration for using Automotive equipment / device which demand high reliability, kindly contact our sales window correspondents.

PCB LAYOUT (COMPONENT SIDE)

SOLDER PASTE THICKNESS: 0.11 MIN
 DATUM A IS THE BOTTOM SURFACE OF THE PCB



Pin configuration

Pin No.	1	2	3	4	5	6	7	8	9	10	11	12	13	14	15	16	17	18	19	20	21	22	23	24	25	26	27	28	29	30	31	32	33	34	35	36	37	38	39	40	41
Pin configuration	G	S	S	G	S	S	G	S	S	G	E	G	S	S	G	S	S	G	S	S	G	S	S	G	E	E	E	G	S	S	G	S	S	G	S	S	G	S	S	G	E
Pin No.	42	43	44	45	46	47	48	49	50	51	52	53	54	55	56	57	58	59	60	61	62	63	64	65	66	67	68	69	70	71	72	73	74	75	76	77	78	79	80	81	82
Pin configuration	E	G	S	S	G	S	S	G	S	S	G	E	G	S	S	G	S	S	G	S	S	G	S	S	G	E	E	E	G	S	S	G	S	S	G	S	S	G	S	S	G

S: SIGNAL G:GROUND E:EXTRA

- NOTES:
- PIN NUMBERING IS FOR REFERENCE ONLY.
OTHER PIN NUMBERS WILL NOT AFFECT THE OPERATION OF THE CONNECTOR.
 - RETENTION NAIL MUST BE SOLDERED ONTO THE PCB FOR PROPER CONNECTOR FUNCTION

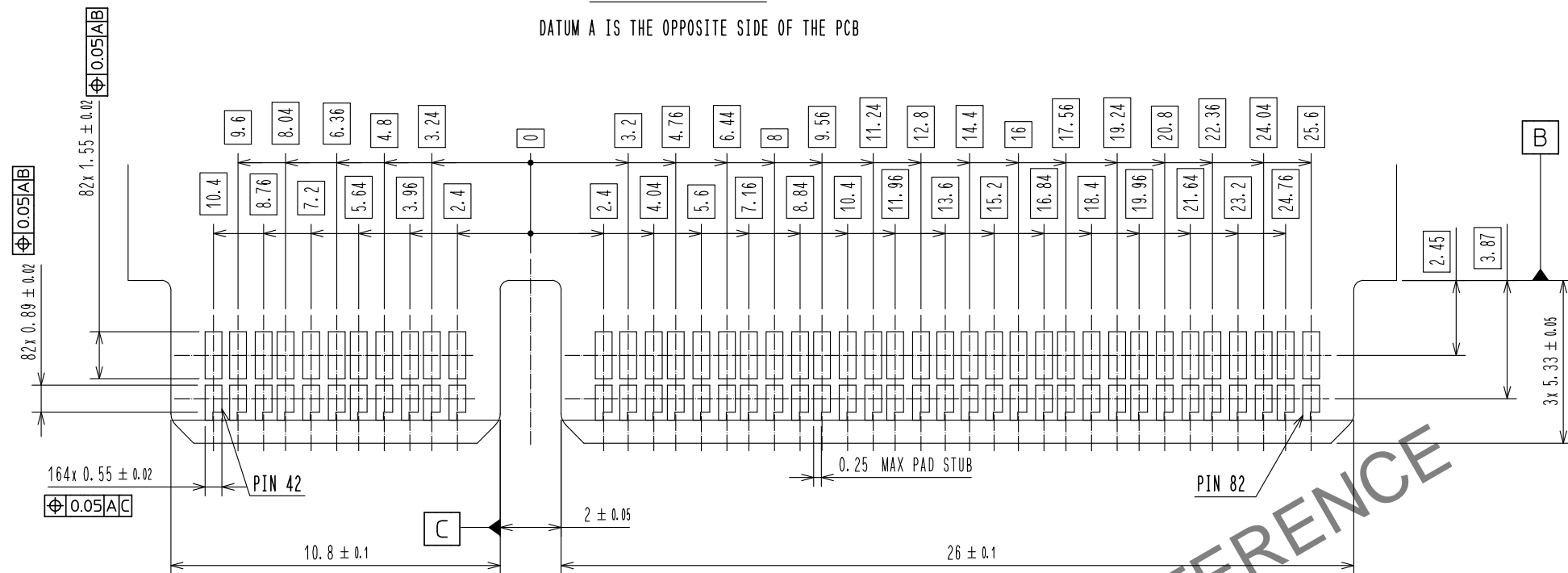
HRS	DRAWING NO.	EDC-378491-00-01
	PART NO.	IT12M1-82S-0.8SV
	CODE NO.	CL636-5002-0-00
		2/4

Dec.1.2024 Copyright 2024 HIROSE ELECTRIC CO., LTD. All Rights Reserved.
 In case of consideration for using Automotive equipment / device which demand high reliability, kindly contact our sales window correspondents.

EDGECARD LAYOUT

FRONT SIDE

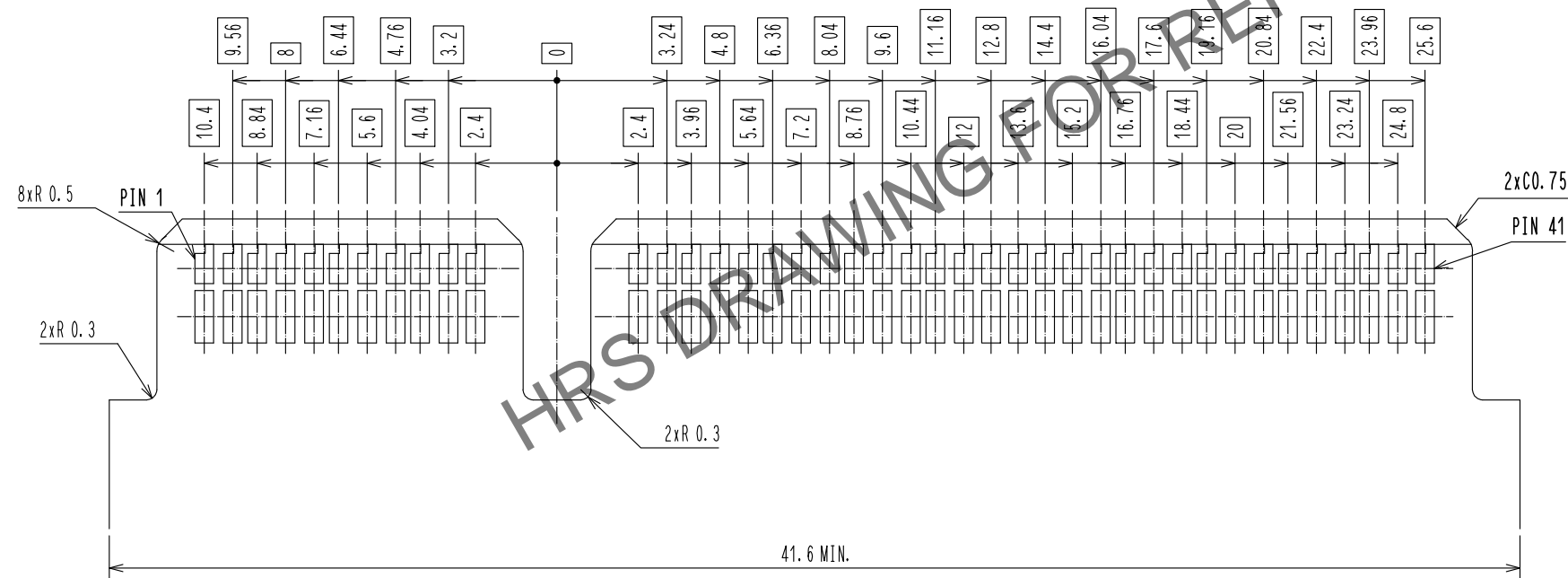
DATUM A IS THE OPPOSITE SIDE OF THE PCB



HRS DRAWING FOR REFERENCE

BACK SIDE

DATUM A IS THE OPPOSITE SIDE OF THE PCB



Pin configuration

Pin No.	1	2	3	4	5	6	7	8	9	10	11	12	13	14	15	16	17	18	19	20	21	22	23	24	25	26	27	28	29	30	31	32	33	34	35	36	37	38	39	40	41			
Pin configuration	G	S	S	G	S	S	G	S	S	G	E	G	S	S	G	S	S	G	S	S	G	S	S	G	E	E	E	G	S	S	G	S	S	G	S	S	G	S	S	G	S	S	G	E
Pin No.	42	43	44	45	46	47	48	49	50	51	52	53	54	55	56	57	58	59	60	61	62	63	64	65	66	67	68	69	70	71	72	73	74	75	76	77	78	79	80	81	82			
Pin configuration	E	G	S	S	G	S	S	G	S	S	G	E	G	S	S	G	S	S	G	S	S	G	S	S	G	E	E	E	G	S	S	G	S	S	G	S	S	G	S	S	G	S	S	G

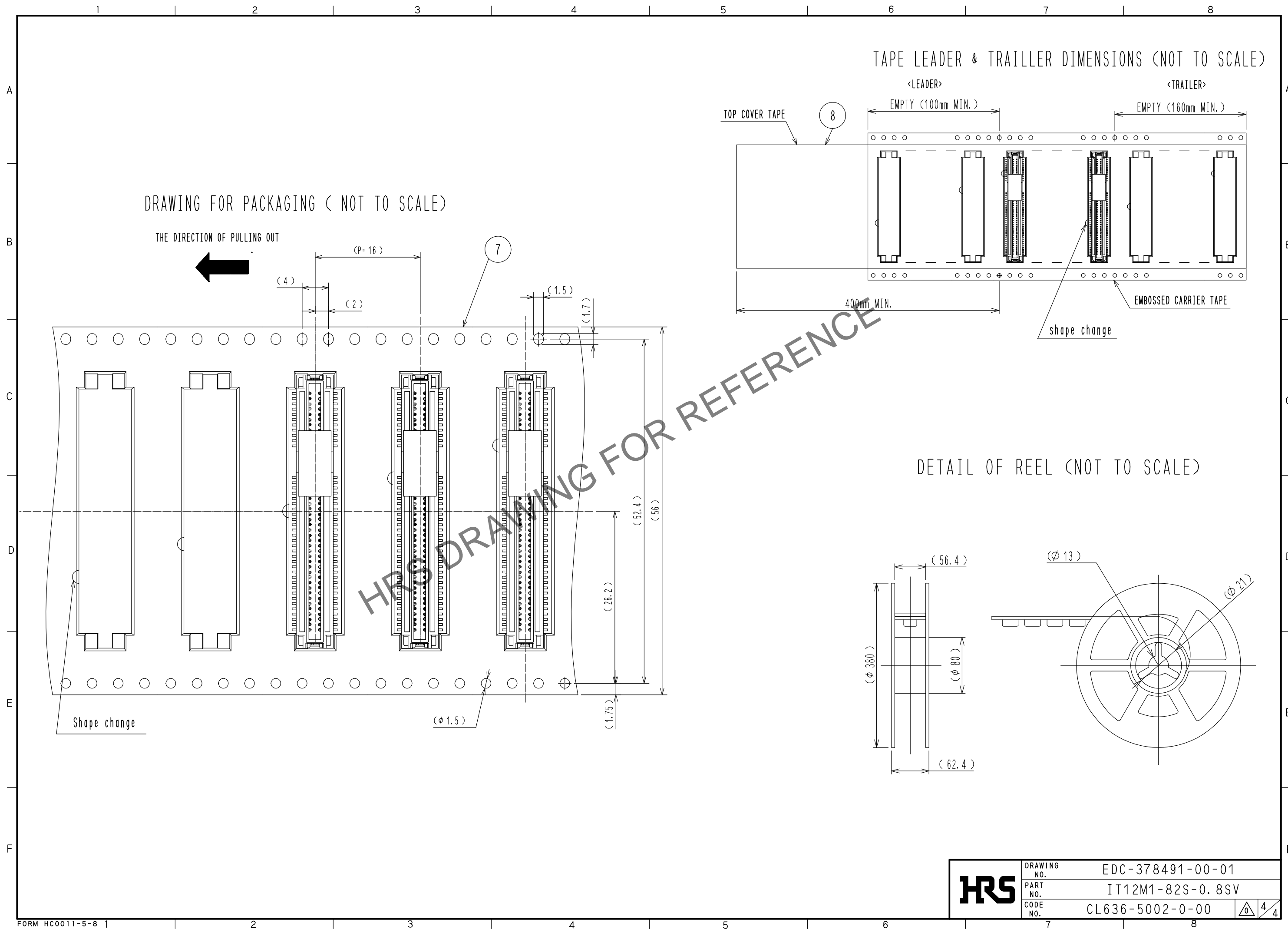
S: SIGNAL G:GROUND E:EXTRA

NOTES:

- PIN NUMBERING IS FOR REFERENCE ONLY. OTHER PIN NUMBERS WILL NOT AFFECT THE OPERATION OF THE CONNECTOR.
- EDGE CARD SHOULDERS STOP ON RECEPTACLE SHOULDERS. EDGE CARD BOTTOM DOES NOT CONTACT RECEPTACLE PCB.
- PAD SET BACK FROM CHAMFER ENOUGH TO ACCOMMODATE LARGEST CHMFER WITHOUT DAMAGE TO PAD EDGE.
- CHAMFER DEPTH SHOULD BE AS LARGE AS PRACTICAL TO ENSURE CORRECT MATING TO THE RECEPTACLE.
- ALL CHAMFERED EDGES SHOULD BE ROUNDED WHERE POSSIBLE.
- INTERNAL PLATING BRIDGES ARE PREFERRED TO ELIMINATE PAD STUB.

HRS	DRAWING NO.	EDC-378491-00-01
	PART NO.	IT12M1-82S-0.8SV
	CODE NO.	CL636-5002-0-00
		3/4

Dec.1.2024 Copyright 2024 HIROSE ELECTRIC CO., LTD. All Rights Reserved.
 In case of consideration for using Automotive equipment / device which demand high reliability, kindly contact our sales window correspondents.



HRS	DRAWING NO.	EDC-378491-00-01
	PART NO.	IT12M1-82S-0.8SV
	CODE NO.	CL636-5002-0-00
		4/4